



DEV DIGITAL

DATASHEET

72W

LED STREET LIGHT | ERIS SERIES
SLE_72W



PRODUCT INFORMATION

- Make : **DEVDIGITAL**
- Order Code : **DEV_72W_SLE**

AREAS OF APPLICATION

- Car parks and underpasses.
- Garages.
- Public areas.
- Building facades.
- Construction areas.
- Garden.

PRODUCT BENEFITS

- Energy savings of up to 85%.
- Optimized weight, size and compact design.
- Very homogenous light.
- Long service life.
- Good color rendering.
- Low carbon and environmental protection.

Electrical data

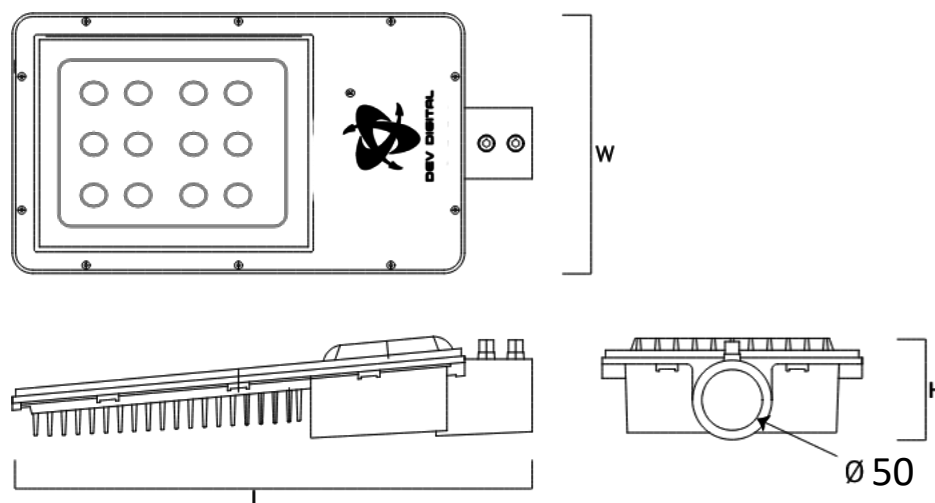
Nominal wattage	72W
Operating mode	Electronic control gear (ECG)
Nominal voltage	85V to 300V
Mains frequency	50/60 Hz
Electrical Efficiency	> 90%
Optical Efficiency	> 93%
Thermal Efficiency	> 90%
Ambient Temp(Ta)	50°C

Photometrical data

CRI	> 70
Total Lumens	10080Lm
Luminous efficacy	140Lm/W
Light Source (smd 3030 1W)	Osram, Seoul or Equivalent
Control Gear	OVP/UVP/440V/IP66
Power Factor	> 0.95
Surge Protection	4 to 6 Kv Inbuilt (10 Kv if required)
LED Life Span	50,000 Hrs
LED Colour	2700K to 6500K

Dimensions & weight

Length	MM
Width	MM
Height	MM
Product Weight	Kg



Light Technical Data

Beam Angle	15°, 30°, 60°, 90°
Lens	Polycarbonate

Colors & Materials

Body Material	Die cast Aluminum with Powder Coated
Housing Colour	Gray
Cover Material	Glass

Additional Product Data

Mounting Type	Fixed
Mounting Location	Wall/Pole

Capabilities

Dimmable	NO
Terminology	Earth,Line Positive,Neutral

LED PCB Details

Thickness	1.6 mm ($\pm 5\%$ tolerance)
PCB material	Aluminum-copper
Copper layer thickness	Standard 0.35 micron
Copper conductivity	1 Watt

Certificates & standards

Type of protection	IP65,IP66
Standards	BIS/CE/RoHS/IEC/ISO/MSME/LM79/LM80 TM