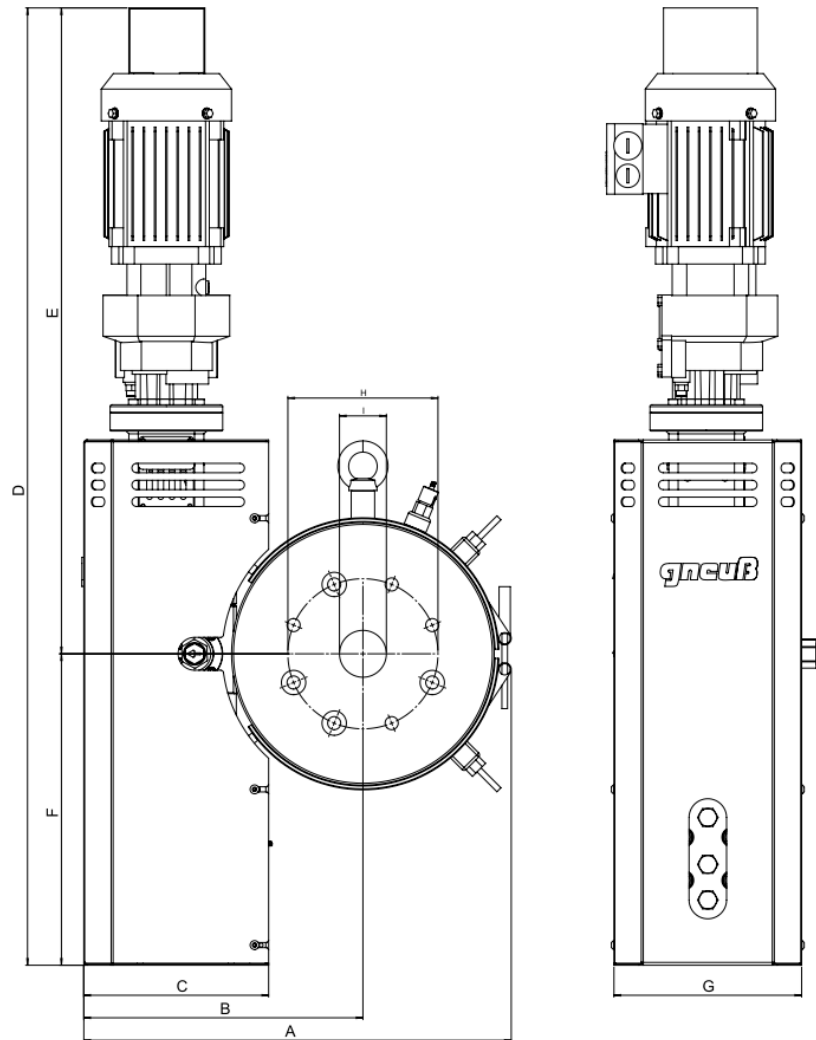


Online VIS

Technical Data



Subject to modifications.

heating capacity in watt	electric heater zones	pressure in bar max.	temp. in °C max.	dimensions in mm										weight in kg
				A	B	C	D	E	F	G	H	I	J	
4.500	4	350	320	490	335	185	1.065	700	360	80	185	customized	customized	160