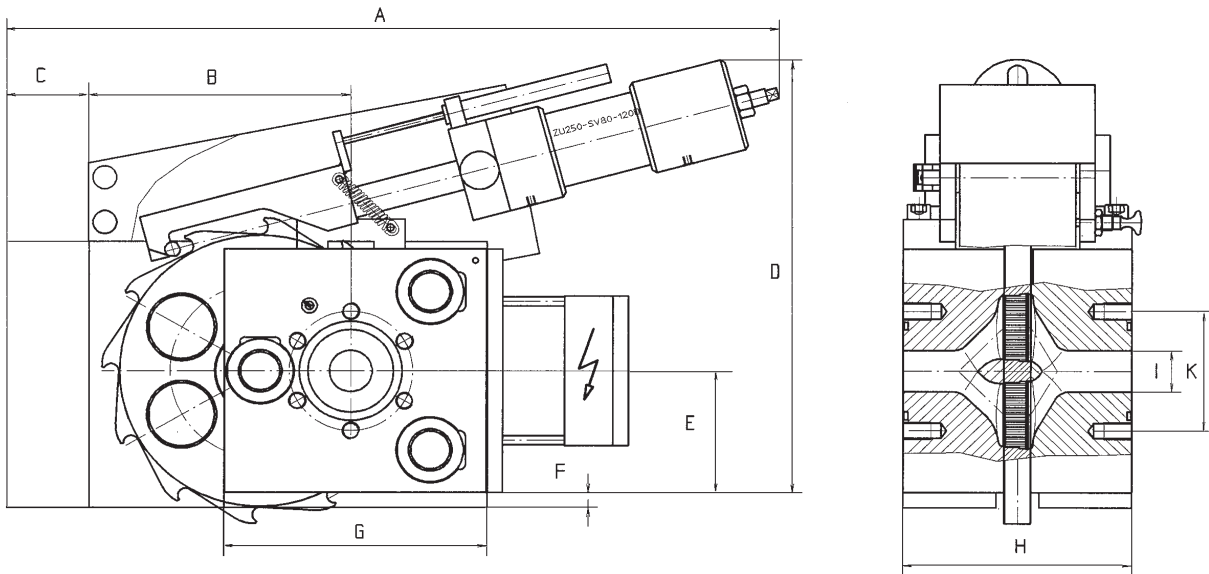


Technical Data KSFx2



Subject to modifications.

| filter type | heating capacity in watt | | | heater zones (1) | pressure in psi max. (2) | temp. in °F max. (3) | Q in lbs/h (4) | dimensions in inches | | | | | | | | | | weight in lbs |
|------------------|---------------------------|----------|--------|------------------|--------------------------|----------------------|----------------|----------------------|------|------|------|------|-----|------|------|-------|------|---------------|
| | active in in ² | electric | liquid | | | | | A | B | C | D | E | F | G | H | I (5) | K | |
| KSFx2 45 | 5,0 | 1760 | - | 2 | 7100 | 600 | 450 | 27.0 | 8.9 | 12.2 | 16.9 | 4.2 | 0.8 | 8.1 | 5.7 | 1.0 | 4.3 | 200 |
| KSFx2 60 | 9 | 2800 | 6000 | 2 | 7100 | 600 | 750 | 28.1 | 11.0 | 13.4 | 19.9 | 5.7 | 0.8 | 9.4 | 6.9 | 1.4 | 4.3 | 250 |
| KSFx2 75 | 14 | 5680 | 9000 | 2 | 7100 | 600 | 1300 | 34.4 | 12.0 | 15.2 | 21.5 | 5.9 | 0.8 | 11.8 | 9.1 | 1.8 | 4.7 | 650 |
| KSFx2 90 | 20 | 6400 | 9000 | 2 | 7100 | 600 | 2200 | 35.1 | 13.3 | 16.6 | 23.0 | 6.4 | 0.8 | 13.4 | 11.6 | 2.2 | 7.1 | 750 |
| KSFx2 110 | 30 | 6800 | 9000 | 2 | 7100 | 600 | 3000 | 37.2 | 16.3 | 8.1 | 31.5 | 8.5 | 0.8 | 14.8 | 14.3 | 2.4 | 8.7 | 1200 |
| KSFx2 130 | 41 | 14000 | 18000 | 2 | 5700 | 600 | 4000 | 41.9 | 18.4 | 6.8 | 33.7 | 9.8 | 0.8 | 16.7 | 15.7 | 2.6 | 8.7 | 1800 |
| KSFx2 150 | 55 | 16000 | 24000 | 3 | 5000 | 600 | 6000 | 46.9 | 21.7 | 9.8 | 43.7 | 11.8 | 0.8 | 20.7 | 17.5 | 3.1 | 9.4 | 2200 |
| KSFx2 175 | 75 | 20000 | 36000 | 3 | 4200 | 600 | 8800 | 50.0 | 23.6 | 11.8 | 39.4 | 13.0 | 0.8 | 22.4 | 19.3 | 3.5 | 11.2 | 3300 |
| KSFx2 200 | 100 | - | 36000 | - | 3500 | 600 | 12000 | 57.0 | 27.0 | 13.4 | 44.1 | 14.8 | 0.8 | 25.6 | 22.0 | 3.9 | 12.8 | 3700 |
| KSFx2 250 | 150 | - | 72000 | - | 3500 | 600 | 17000 | 44.7 | 31.1 | 14.4 | 75.2 | 25.4 | 0.8 | 29.5 | 26.0 | 3.9 | 14.2 | 8400 |
| KSFx2 300 | 220 | - | 96000 | - | 2800 | 600 | 35000 | 47.6 | 35.8 | 15.7 | 80.3 | 28.0 | 0.8 | 33.5 | 30.7 | 3.9 | 16.5 | 19000 |

(1) = 1 heater zone for liquid heating.

(2) = High pressure versions available as an option.

(3) = Up to 750 °F possible as an option.

(4) = Based on: 10,000 poise, 60 microns and Δp 600 psi.

(5) = The dimension „I“ can be freely chosen, the values given are maximum values.