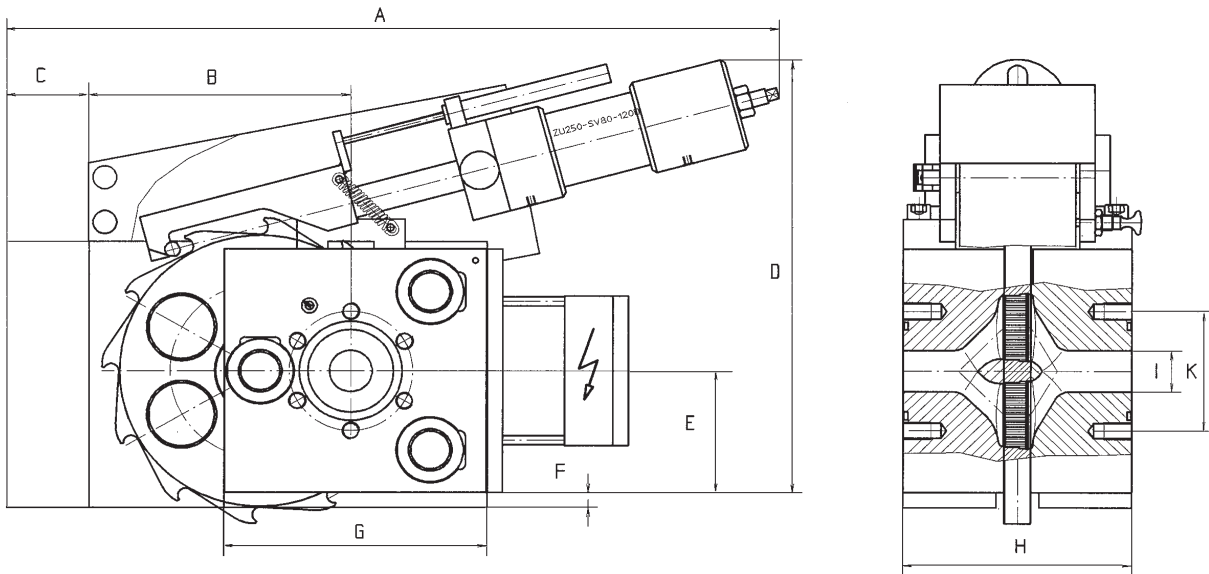


## Technical Data KSFx2



Subject to modifications.

filter type	heating capacity in watt			heater zones (1)	pressure in bar max. (2)	temp. in °C max. (3)	Q in kg/h (4)	dimensions in mm										weight in kg
	active in cm <sup>2</sup>	electric	oil/vapor					A	B	C	D	E	F	G	H	I (5)	K	
<b>KSFx2 45</b>	32	1800	-	2	350	320	200	685	225	310	428	108	25	205	145	25	110	80
<b>KSFx2 60</b>	56	3400	6000	2	350	320	350	715	280	340	505	145	15	238	175	35	110	100
<b>KSFx2 75</b>	88	5700	9000	2	350	320	600	875	305	385	545	150	35	300	230	45	120	290
<b>KSFx2 90</b>	130	6400	9000	2	350	320	1000	891	339	421	583	163	42	340	295	55	180	350
<b>KSFx2 110</b>	190	6800	9000	2	300	320	1400	945	415	205	800	215	25	375	363	60	220	550
<b>KSFx2 130</b>	265	14000	18000	2	300	320	1800	1065	468	172	855	249	30	425	400	65	220	800
<b>KSFx2 150</b>	355	16000	24000	3	300	320	2800	1190	550	250	1110	300	30	525	445	80	240	1000
<b>KSFx2 175</b>	480	20000	36000	3	300	320	4000	1270	600	300	1000	330	40	570	490	90	285	1500
<b>KSFx2 200</b>	630	-	36000	-	250	320	5600	1447	685	340	1120	375	50	650	560	100	325	1680
<b>KSFx2 250</b>	980	-	72000	-	250	320	8000	1135	790	365	1910	645	20	750	660	100	360	3800
<b>KSFx2 300</b>	1410	-	96000	-	200	320	12000	1210	910	400	2040	710	20	850	780	100	420	7500

(1) = 1 heater zone for liquid heating.

(2) = High pressure versions available as an option.

(3) = Up to 400 °C possible as an option.

(4) = Based on: 1000 Pas, 60 µm und p 40 bar.

(5) = The dimension „I“ can be freely chosen, the values given are maximum values.