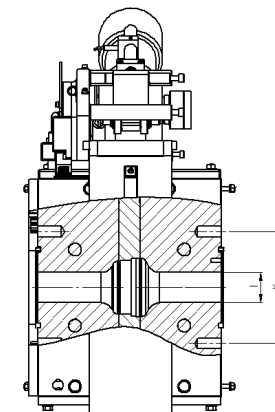
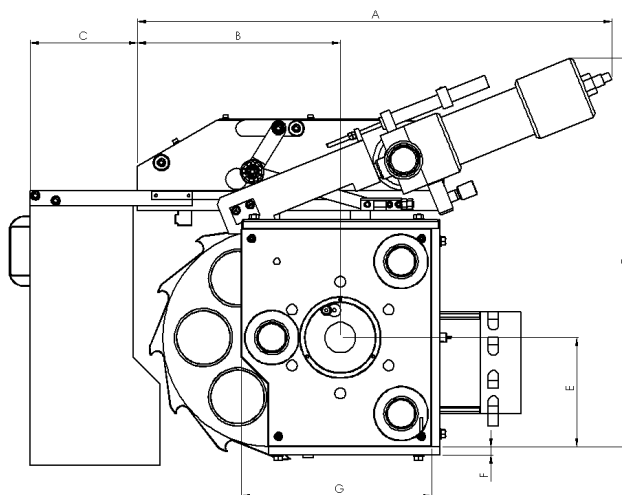


KSF Series

Technical Data



Subject to modifications.

filter type	active screen area in in ²	electric heater zones ⁽¹⁾	pressure in psi max. ⁽²⁾	temp. in °F max. ⁽³⁾	Q in lbs/h ⁽⁴⁾	dimensions in inches										weight in lbs
						A	B	C	D	E	F	G	H	I ⁽⁵⁾	K	
KSF 30	2.2	1	7,500	600	154	21.9	6.3	9.8	12.2	3.8	-	7.5	5.3	0.6	3.5	110
KSF 45	2.5	2	7,500	600	440	27.0	8.9	12.2	16.9	4.2	1.0	8.1	5.7	1.0	4.3	180
KSF 60	4.3	2	5,000	600	770	28.2	11.0	13.4	19.9	5.7	0.6	9.4	6.9	1.4	4.3	220
KSF 75	6.8	2	5,000	600	1,320	34.5	12.0	15.2	21.5	5.9	1.4	11.8	9.1	1.8	4.7	640
KSF 90	10	2	5,000	600	2,200	35.1	13.4	16.6	23.0	6.4	1.7	13.4	11.6	2.2	7.1	770
KSF 110	15	2	4,500	600	3,080	37.2	16.3	8.1	31.5	8.5	1.0	14.8	14.3	2.4	8.7	1,210
KSF 130	21	2	4,500	600	3,960	41.9	18.4	6.8	33.7	9.8	1.2	16.7	15.8	2.6	8.7	1,760
KSF 150	28	3	4,500	600	6,160	46.9	21.7	9.8	43.7	11.8	1.2	20.7	17.5	3.2	9.4	2,200
KSF 175	37	3	4,000	600	8,800	50.0	23.6	11.8	39.4	13.0	1.6	22.4	19.3	3.5	11.2	3,300
KSF 200	49	-	3,500	600	12,320	57.0	27.0	13.4	44.1	14.8	2.0	25.6	22.1	3.9	12.8	3,700
KSF 250	76	-	3,500	600	17,600	44.7	31.1	14.4	75.2	25.4	0.8	29.5	26.0	3.9	14.2	8,360
KSF 300	110	-	3,000	600	25,520	47.6	35.8	15.8	80.3	28.0	0.8	33.5	30.8	3.9	16.5	16,500
KSF 350	150	-	3,000	600	35,200	61.2	43.9	27.4	117.3	52.2	0.8	37.2	31.1	3.9	12.4	18,700

1 – 1 heater zone for liquid heating | 2 – high pressure versions available as an option | 3 – up to 750 °F possible as an option

4 – based on: 10,000 poise, 60 microns and Δp 600psi | 5 – The dimension „I” can be freely chosen, the values given are minimum values.

Also available in ATEX design.