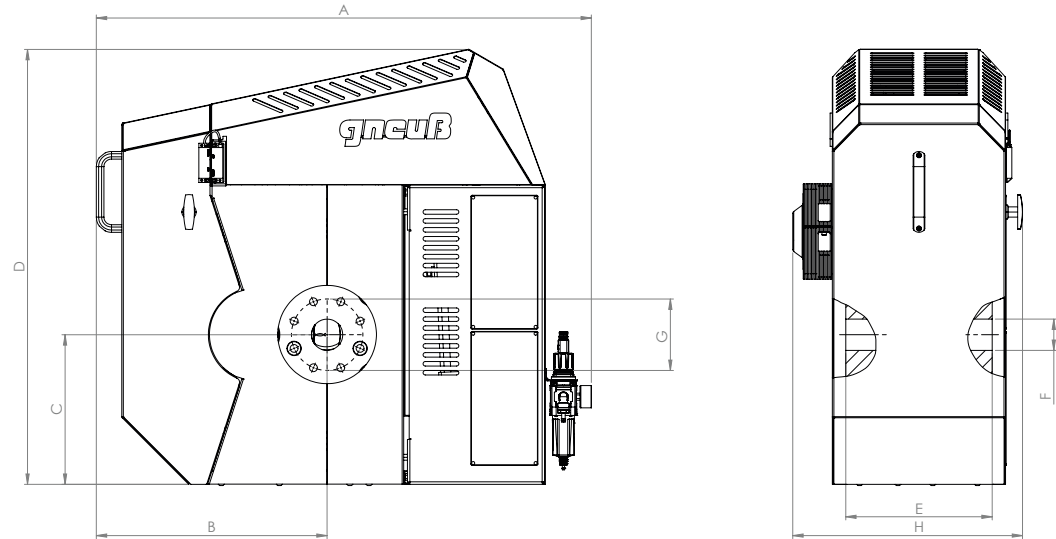


SFneos Series

Technical Data



Subject to modifications.

filter type	active screen area in cm ²	heating capacity in watt		electric heater zones ⁽¹⁾	pressure in bar max. ⁽²⁾	temp. in °C max. ⁽³⁾	Q in kg/h ⁽⁴⁾	dimensions in mm								weight in kg
		electric	liquid					A	B	C	D	E	F	G	H ⁽⁵⁾	
SFneos 30	40	4.000	5.000	2	350	320	200	908	377	225	642	196	15	110	383	230
SFneos 45	70	5.600	7.000	2	350	320	350	908	377	225	642	196	20	110	383	230
SFneos 60	110	5.600	7.000	2	350	320	500	908	377	225	642	196	25	110	383	230
SFneos 75	135	5.900	8.000	2	350	320	650	948	407	250	802	242	25	140	429	320
SFneos 90	260	14.000	18.000	2	300	320	1.200	1.109	517	335	974	328	25	160	515	680
SFneos 150	450	15.400	20.000	2	300	320	2.100	1.158	537	370	1.022	372	35	160	559	908
SFneos 175	610	20.300	26.000	3	250	320	2.900	1.558	677	480	1.272	419	40	220	656	1.500
SFneos 200	850	28.500	37.000	3	200	320	4.000	1.713	772	555	1.402	566	45	250	853	2.900
SFneos 250	1.280	33.300	43.000	3	200	320	6.000	1.773	837	585	1.502	622	50	250	909	3.600
SFneos 330	1.800	-	54.000	3	200	320	8.500	2.278	992	785	1.902	744	50	300	1.042	6.200
SFneos 400	2.370	-	65.000	3	180	320	11.100	2.563	1.177	855	2.102	812	50	350	1.150	9.800

1 – 1 heater zone for liquid heating | 2 – high pressure versions available as an option | 3 – up to 400 °C possible as an option

4 – based on: 10.000 Pas, 60 µm and Δ p 40 bar | 5 – The dimension „H“ can be freely chosen, the values given are minimum values.

Also available in ATEX design.