

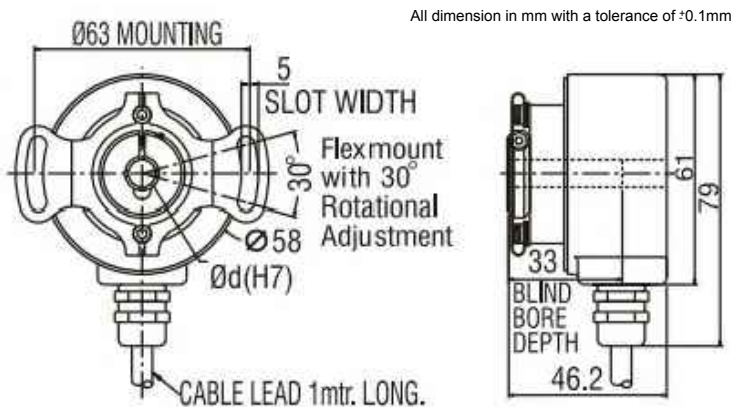


- Robust hollow shaft encoder.
- Ideal suited for induction motor.

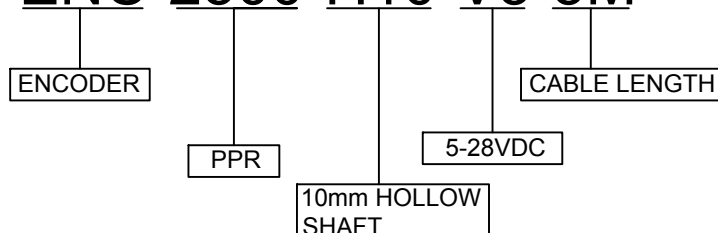
### Technical Specification

<b>Channels</b>	ABZ
<b>Output</b>	Driver(50mA source/sink) with inverted channels
<b>PPR</b>	see ppr option below
<b>Voltage</b>	5-28 vdc
<b>Shaft Bore/shaft size d</b>	10 mm
<b>Bore Style</b>	Blind Hollow Shaft
<b>Mounting Option</b>	Double slide slotted flexmount 63mm
<b>Clamping style</b>	Front slide
<b>Temperature</b>	0-70 <sup>0</sup> C
<b>Connection Location</b>	Side Gland

### Dimension Details



Ordering Example **JT-ENC-2500-H10-V3-5M**



Model JT-ENC-2500-H10-V3-5M PPR option:-  
360,1024,2500,3600,5000,10000, as per customer requirement