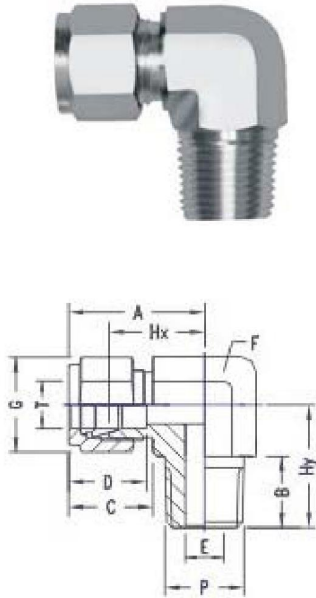


MALE ELBOW

INCH OD Tubes x Male NPT Threads



T Tube OD	P ISO Male	A	B	C	D	E min.	F A/F	Fd	G A/F	H	FITEXCEL PART NO.
1/8	1/8	23.6	9.6	15.3	12.7	2.4	11	11	17.0	17.8	FME-209-N
1/8	1/4	24.6	14.3	15.3	12.7	2.4	14	11	18.0	23.4	FME-210-N
1/4	1/8	26.9	9.6	17.8	5.3	4.8	14	14	19.6	18.8	FME-211-N
1/4	1/4	26.9	14.3	17.8	15.3	4.8	14	14	19.6	23.4	FME-212-N
1/4	3/8	29.7	14.3	17.8	15.3	4.8	19	14	22.4	26.2	FME-213-N
1/4	1/2	31.8	19.1	17.8	15.3	4.8	22	14	24.4	33.0	FME-214-N
3/8	1/8	30.5	9.6	19.3	16.8	4.8	14	17	23.1	20.9	FME-215-N
3/8	1/4	30.5	14.3	19.3	16.8	7.1	17	17	23.1	25.4	FME-216-N
3/8	3/8	31.2	14.3	19.3	16.8	7.1	19	17	23.9	26.2	FME-217-N
3/8	1/2	33.3	19.1	19.3	16.8	7.1	22	17	25.9	33.0	FME-218-N
1/2	1/4	36.0	14.3	21.8	22.9	4.8	22	22	25.9	28.2	FME-219-N
1/2	3/8	36.0	14.3	21.8	22.9	9.6	22	22	25.9	28.2	FME-220-N
1/2	1/2	36.0	19.1	21.8	22.9	10.4	22	22	25.9	33.0	FME-221-N
1/2	3/4	39.9	19.1	21.8	22.9	10.4	27	22	29.7	36.8	FME-222-N
3/4	1/2	39.9	19.1	21.8	24.4	11.9	27	28.5	29.7	36.8	FME-223-N
3/4	3/4	39.9	19.1	21.8	24.4	15.8	27	28.5	29.7	36.8	FME-224-N
1	3/4	49.0	19.1	26.4	31.2	15.8	35	38	36.8	41.6	FME-225-N
1	1	49.0	23.8	26.4	31.2	22.3	35	38	36.8	46.5	FME-226-N

METRIC OD Tubes x Male ISO* Tapered Pipe Threads

T TUBE OD	P NPT Female	A	B	C	D	E min	F A/F	G A/F	Hz	Hy	FITEXCEL PARTNO.
3	1/8	23.6	9.6	15.3	12.9	2.4	11	11	17.0	17.8	FME-227-RT
3	1/4	24.6	14.3	15.3	12.9	2.4	14	11	18.0	23.4	FME-228-RT
6	1/8	27.0	9.6	17.7	15.3	4.8	14	14	19.6	18.8	FME-229-RT
6	1/4	27.0	14.3	17.7	15.3	4.8	14	14	19.6	23.4	FME-230-RT
6	3/8	29.8	14.3	17.7	15.3	4.8	19	14	22.4	26.2	FME-231-RT
6	1/2	31.8	19.1	17.7	15.3	4.8	22	14	24.4	33.0	FME-232-RT
8	1/4	28.8	14.3	18.6	16.2	6.3	14	16	21.3	24.4	FME-233-RT
8	3/8	30.6	14.3	18.6	16.2	6.3	19	16	23.1	26.2	FME-234-RT
8	1/2	32.6	19.1	18.6	16.2	6.3	22	16	25.1	33.0	FME-235-RT
10	1/4	31.5	14.3	19.5	17.2	7.1	17	19	23.9	26.2	FME-236-RT
10	3/8	31.5	14.3	19.5	17.2	7.9	19	19	23.9	26.2	FME-237-RT
10	1/2	33	19.1	19.5	17.2	7.9	22	19	25.9	33.0	FME-238-RT
12	1/4	36.0	19.1	22.0	22.8	7.1	22	22	25.9	26.2	FME-239-RT
12	3/8	36.0	19.1	22.0	22.8	9.5	22	22	25.9	38.2	FME-240-RT
12	1/2	36.0	19.1	22.0	22.8	9.5	22	22	25.9	33.0	FME-241-RT
15	1/2	38.0	19.1	22.0	24.4	11.9	24	25	27.9	35.1	FME-242-RT
16	1/2	38.0	19.1	22.0	24.4	11.9	24	25	27.9	35.1	FME-243-RT
16	3/4	39.8	19.1	22.0	24.4	27.7	27	25	29.7	36.8	FME-244-RT
22	3/4	44.6	19.1	22.0	26.0	15.9	35	32	34.5	41.7	FME-245-RT
22	1	44.6	23.9	22.0	26.0	18.3	35	32	34.5	46.5	FME-246-RT
25	3/4	49.1	19.1	26.5	31.3	59.9	35	38	36.8	41.7	FME-247-RT
25	1	41.1	23.9	26.5	31.3	21.8	35	38	36.8	46.5	FME-248-RT