

Flange Nut for Safe Tightening of Parts

A flange nut is a nut that has a wide flange at one end that acts as an integrated washer. This serves to distribute the pressure of the nut over the part being secured, reducing the chance of damage to the part and making it less likely to loosen as a result of an uneven fastening surface. The necessity of using a washer is eliminated as the bearing surface of the face of the nut is larger thereby effecting a stronger grip. These nuts are mostly hexagonal in shape and are made up of hardened steel.

Material

Medium carbon steel (080A42 steel) / As per customer requirement

Heat Treatment

Hardened and Tempered to 24~32 HRC

Surface Protection

Black Oxide Coating

Application

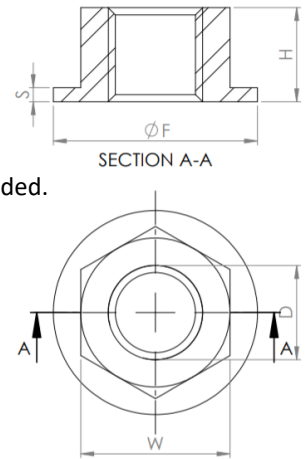
Flange nut is used instead of Nut, since there is a flange on one side, Washer can be avoided.

Advantages

The necessity of using a washer is eliminated, Reduces damage to parts.

Manufacturing

IS 7795 – 2004



Dimensions In mm

IS 7795 - 2004

Model	D x W	F x S	H	Approx. Weight kg/1000pcs
RT-FN-813	M8 x 13	18 x 3.5	12	12
RT-FN-1016	M10 x 16	22 x 4	15	25
RT-FN-1218	M12 x 18	25 x 4	18	35
RT-FN-1624	M16 x 24	31 x 5	24	70
RT-FN-2030	M20 x 30	37 x 6	30	130
RT-FN-2436	M24 x 36	45 x 6	36	220
RT-FN-3046	M30 x 46	58 x 8	45	470
RT-FN-3655	M36 x 55	68 x 10	54	800