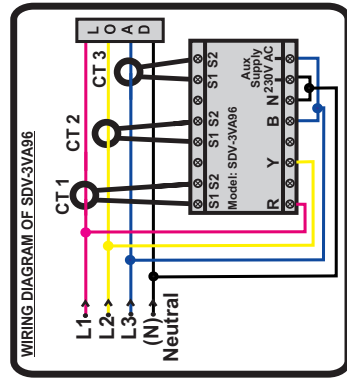
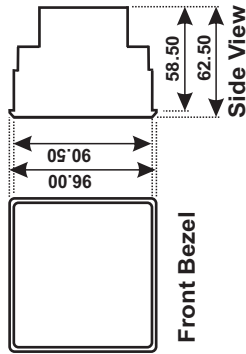




CAT.No./ Model No.
SDV-3VA96

MECHANICAL INSTALLATION & WIRING DIAGRAM

Size : 96x96 Sq.mm
Panel Cut out [92.00(±0.5)x92.00(±0.5)]



Note: All dimensions are in mm

SPECIFICATION

- Display** : 2 rows of 3 digits 7- segment
Red color display of 0.56" digit height.
- Wiring Input** : 3Ø-4 wire.
- Rated Input Current (True rms)** : Nominal 5A AC (Min. : 50mA - Max 6AAC)
- C.T. Ratio** : 5A - 4.995AAC i.e. 4.99 KA by 15A CT & 1A - 999AAC i.e. 0.99 KA by 1A CT (Programmable for any value, 999 is max. multiplier).
- Auxiliary Supply Range** : 230 VAC (±20%), 50Hz [Separately mention at 110 VAC (±20%), 60Hz [the time of Ordering]
- Temperature Range** : 0 to 50 °C (Operating), -20 to 70 °C (Storage)
- Mounting** : Panel Mounting.
- Humidity** : Upto 85% RH (non-condensing).
- Accuracy** : ± 1.0%
- Resolution (Voltage)** : 1V
- (Current)** : 0.01A, 0.1A, 1A and 0.01KA (depends upon the range selected)

WORKING

- Step 1** : Make the connection as per the Wiring Diagram. Then **Switch - ON** the device.
- Step 2** : It will start displaying Voltage in 1st row and Current in 2nd row with default settings (Ctr = 001).
Default setting Ctr = 001 means 1 x 5 = 5 AAC. for -15A C.T and Ctr = 001 means 1 x 1 = 1AAC for -1A C.T.
8 Pages will be displayed in continuous Scroll mode with a time interval of 5 seconds and in sequence as shown in Table (a).
- Step 3** : For customized Settings of current (CTR) press **SET Key**



Then select Ctr between 1-999 with the help of

UP and DOWN keys as shown in Fig(1). Once you reach the desired Ctr, press both **UP and Down keys** simultaneously to latch the value, for confirmation End will be displayed as shown in fig. (2).

Step 4 : **Optional, Scroll Enable/Disable Mode** : while in running condition (Scroll enable mode) and if we want to halt to see any of the page then go to Scroll disable mode by pressing **UP Key** for few seconds then a screen will appear showing En as shown in the fig(3), then release the key now that page will be halted. Again if you go back to the scroll enable mode then repeat the procedure and in this case a screen will appear showing ds as shown in fig(3).

How to Select CTR, Example

- a) For Current range upto 100A:
select Ctr = 100/5 = 20 for 15A C.T & 100/1 = 100 for 1A C.T.
- b) For Current range upto 4000A or 4.00KA
select Ctr = 4000/5 = 800 for 15A C.T.

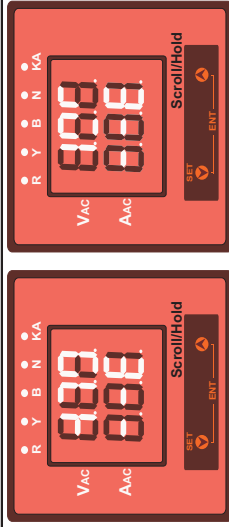


Fig. (1)

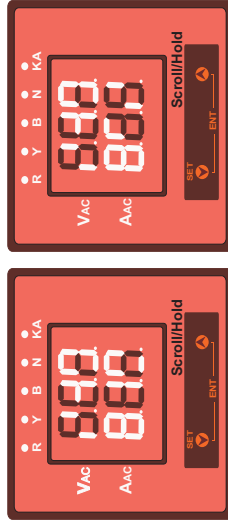


Fig. (2)

Table (A)

Page No.	Parameter (Voltage 1st Row Current 2nd Row)	LED Indication
1	R - N	R ● Y ● B ● N ● KA ○
2	Y - N	R ○ Y ● B ● N ● KA ○
3	B - N	R ○ Y ○ B ● N ● KA ○
4	R-Y-B-N (Avg.)	R ● Y ● B ● N ● KA ○
5	R - Y	R ● Y ● B ○ N ○ KA ○
6	Y - B	R ○ Y ● B ● N ○ KA ○
7	B - R	R ○ Y ○ B ● N ○ KA ○
8	R-Y-B (Avg.)	R ● Y ● B ● N ● KA ○

Note : ● LED ON and ○ LED OFF.

Further, for any queries contact :

Helpline No : 07011443680
09873136248,09458105707
email : dpm.surdhi@gmail.com