



CAT.No./ Model No.
SDV-3A96 for 96X96 Sq.mm

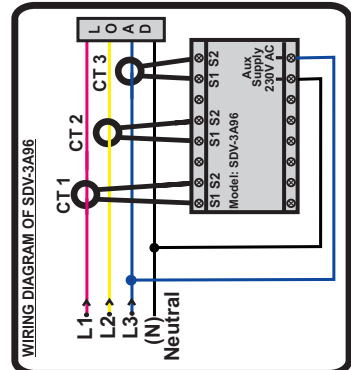
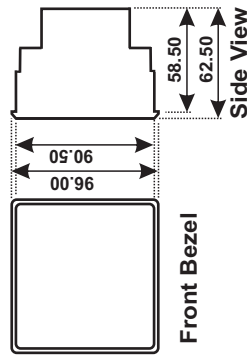


CAT.No./ Model No.
SDV-3A48 for 48X96 Sq.mm

MECHANICAL INSTALLATION & WIRING DIAGRAM

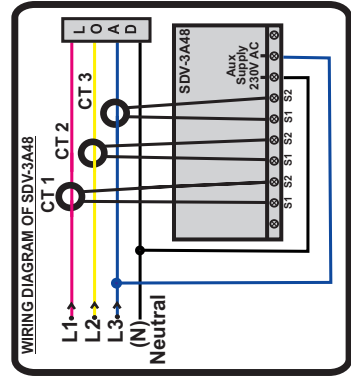
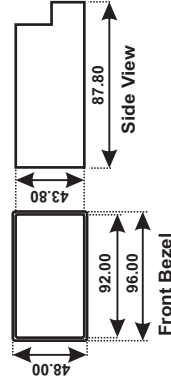
Size : 96x96 Sq.mm

Panel Cut out [92.00(±0.5)x92.00(±0.5)]



Size : 48x96 Sq.mm

Panel Cut out [92.50(±0.5)x44.50(±0.5)]



Note: All dimensions are in mm

SPECIFICATION

- Display** : 1 row of 3 digits 7-segment Red color display of 0.56" digit height
- Wiring Input** : 3Ø-4 wire.
- Rated Input Current (True rms)** : Nominal 5AAC (Min. : 50mA - Max 6AAC)
- C.T. Ratio** : 5A - 4.995AAC i.e. 4.99 KA by 15 A CT & 1A - 999 AAC i.e. 0.99 KA by 1 A CT (Programmable for any value, 999 is max. multiplier).
- Auxiliary Supply Range** : 230 VAC (±20%), 50Hz [Separately mention at 110 VAC (±20%), 60Hz] [the time of Ordering]
- Temperature Range** : 0 to 50 °C (Operating), -20 to 70 °C (Storage)
- Mounting** : Panel Mounting.
- Humidity** : Upto 85% RH (non-condensing).
- Accuracy** : ± 1.0%
- Resolution** : 0.01A, 0.1A, 1A and 0.01kA (depends upon the range selected)

WORKING

- Step 1** : Make the connection as per the Wiring Diagram. Then **Switch - ON** the device.
- Step 2** : It will start displaying Current with default settings (Ctr = 001). Default setting Ctr = 001 means 1 x 5 = 5 AAC, for -15A C.T and Ctr = 001 means 1 x 1 = 1AAC for -1A C.T.
- Step 3** : For customized Settings of current (CTR) press **SET KEY**



Then select Ctr between 1-999 with the help of

UP and DOWN keys as shown in Fig.(1). Once you reach the desired Ctr, press both **UP and Down keys** simultaneously to latch the value, for confirmation **End** will be displayed as shown in fig. (2).

Step 4 : Optional, Once you finished up with the settings, It will start showing **4 Pages** in rotation with 7 seconds interval in between as shown in **Table (A)**.

Step 5 : Optional, Scroll Enable/ Disable Mode : while in running condition (Scroll enable mode) and if we want to halt to see any of the page then go to Scroll disable mode by pressing **UP Key** for few seconds then a screen will appear showing **ds** as shown in the fig(3), then release the key now that page will be halted. Again if you go back to the scroll enable mode then repeat the procedure and in this case a screen will appear showing **En** as shown in fig(4).

How to Select CTR, Example

- For Current range upto 100A:
select Ctr = 100/5 = 20 for /5A C.T & 100/1 = 100 for /1A C.T.
- For Current range upto 4000A or 4.00KA
select Ctr = 4000/5 = 800 for /5A C.T.

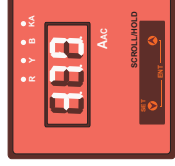


Fig.(1)

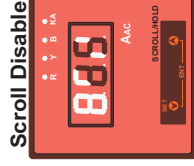


Fig.(3)



Fig.(2)

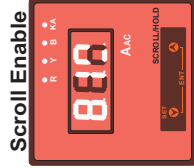


Fig.(4)

Scroll Disable

Scroll Enable

Table (A)

Page No.	Parameter (Current)	LED Indication
1	R	R ● Y ○ B ○
2	Y	R ○ Y ● B ○
3	B	R ○ Y ○ B ●
4	R-Y-B (Avg.)	R ● Y ● B ●

Note : ● LED ON & ○ LED OFF.

Further, for any queries contact :
Helpline No : 07011443680
09873136248,09458105707
email : dpm.surdhi@gmail.com