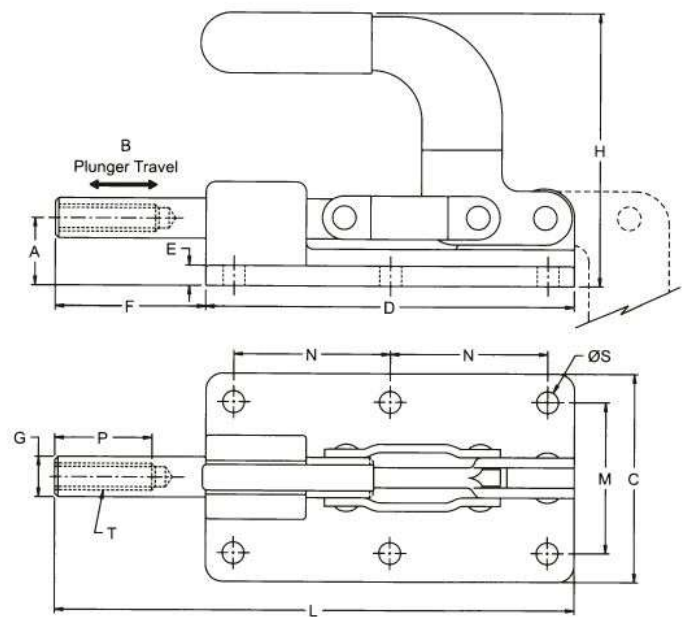
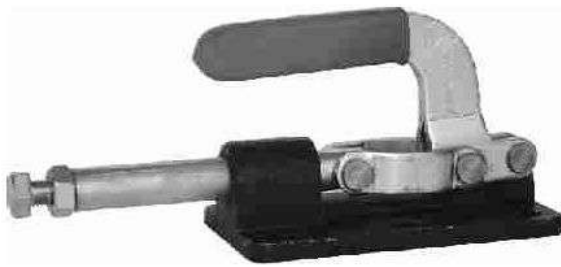


**PUSH / PULL  
ACTION TOGGLE CLAMP-  
CENTRE BASE  
LOW HEIGHT**



ITEM CODE	MODELS	PLUNGER TRAVEL		MOUNTING BASE				PLUNGER DIA		L	HOLE DEPTH	Mounting Dimenstions			TAPPED HOLE TØ	HOLDING CAPACITY	WT. IN KGS.
		A	B	C	D	E	F	G	H			M	N	ØS			
13101	PHTC-2242 LH	20	40	60	110	6	41	12	80	150	25	45	47	6.5	M8 x 1.25	600 kg	0.850
13102	PHTC-2555 LH	25	50	65	130	8	56	16	85	185	30	48	52	8.5	M10 x 1.50	800 kg	1.200