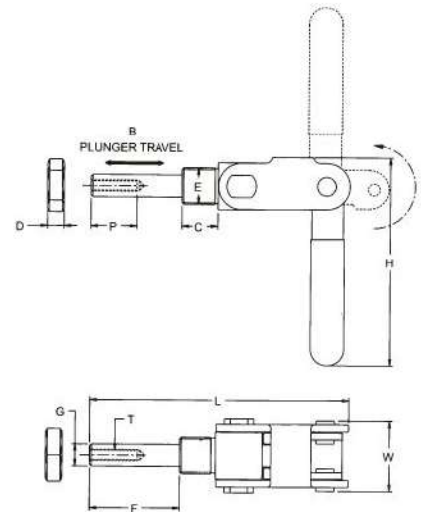


**PUSH / PULL
ACTION TOGGLE CLAMP-
FRONT MOUNTING TYPE**

'P-TECH' Push/Pull Action Toggle Clamps - Front Mounting Type are simply flush mounted through a panel or plate by a hexagonal lock nut on the work piece side. Can also be mounted directly into a tapped hole without using the nut. Plunger is hardened & ground. These clamps can also be used as pull action clamps.

Standard Accessories provided with Clamp :
Standard Hex, Head Clamping Spindle assembly is provided as standard accessory.



ITEM CODE	MODELS	PLUNGER TRAVEL B	C	D	MOUNTING THD-SIZE E	F	PLUNGER DIA G	H	L	P	W	TAPPED HOLE TQ	HOLDING CAPACITY	WT. IN KGS.
I3201	PP-FM-12	37	16	8	M 20 x 1.5	42	12	104	110	30	33	M 8 x 1.25	100 Kg	0.260
I3202	PP-FM-16	40	24	10	M 24 x 2.0	64	16	122	175	30	47	M 10 x 1.5	350 Kg	0.850