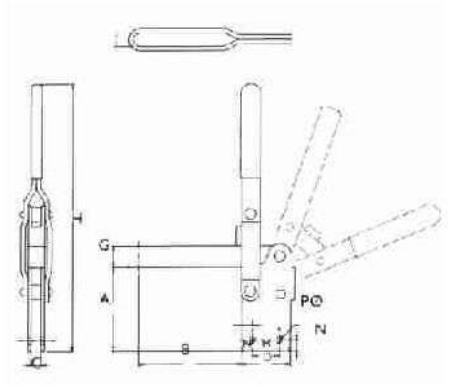


**HOLD DOWN  
TOGGLE CLAMP-  
VERTICAL HANDLE-  
BASE STRAIGHT**



These toggle clamps are similar to PV models but with Base Straight. Straight Base design enables mounting on a vertical surface.

**Standard Accessories provided with Clamp :**  
Standard Hex, Head Clamping Spindle assembly complete with U-Flanged washer and lock nuts is provided as standard accessory with above clamps.



ITEM CODE	MODELS	A	B	MOUNTING BASE					E	G	H	HOLDING CAPACITY	WT. IN KGS.
				C	D	M	N	PØ					
12701	PV-2635-BS	26	35	4	30	13	6.5	5.5	M6	12	135	100 kg.	0.180
12702	PV-3265-BS	32	65	6	43	19	7	6.5	M8	16	155	200 kg.	0.450
12703	PV-4695-BS	46	95	8	45	28	10	8.5	M10	20	235	400 Kg	0.650
12704	PV-52125-BS	52	125	8	55	36.5	10	8.5	M12	20	235	450 Kg	0.700
12705	PV-86150-BS	86	150	10	75	50	17.5	10.5	M16	30	370	600 Kg	2.100