

33

**HOLD DOWN
TOGGLE CLAMP-
HORIZONTAL HANDLE**

Low height design of hold down toggle clamps requires less overhead clearance as the handle remains in horizontal position while clamping.

Standard Accessories provided with Clamp : Standard Hex. Head Clamping Spindle assembly is provided as standard accessory with all above clamps, models are provided with 2 nos. U-Flanged Washers also along with clamping spindle assembly.

The **SF Series** have a solid hold down bar which has a fixed guide bush its end for the spindle assembly.

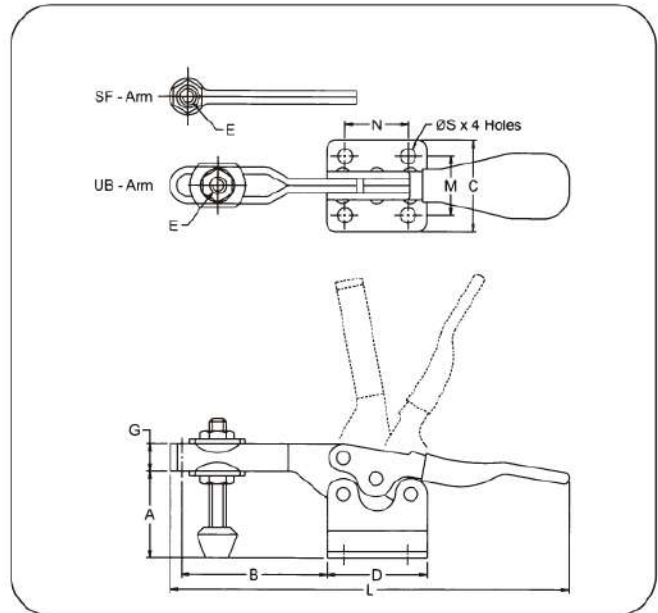
The **UB Series** have a 'U' bar arm which enables one or more spindles to be moved onto any desired position along the arm



Model : 2555 UB



Model : 3565 SF



ITEM CODE	MODELS	A	B	MOUNTING BASE		E	G	L	MOUNTING DIMENSIONS			HOLDING CAPACITY	WT. IN KGS.
				C	D				M	N	ØS		
I2501	PH-1525 UB	15	25	27	24	M5	8	85	17	13	4.5	50 kg.	0.040
I2502	PH-1525 SF												
I2503	PH-2555 UB	25	55	33	35	M6	12	150	21	21	4.5	150 kg.	0.150
I2504	PH-2555 SF												
I2505	PH-3565 UB	35	65	37	38	M8	13	175	23	25	6.5	250 Kg	0.260
I2506	PH-3565 SF												
I2507	PH-46105 UB	46	105	64	57	M10	21	290	37	41	8.5	350 Kg	0.560
I2508	PH-46105 SF												
I2509	PH-56125 UB	56	125	60	65	M12	25	310	44	41	8.5	500 Kg	0.880
I2510	PH-56125 SF												