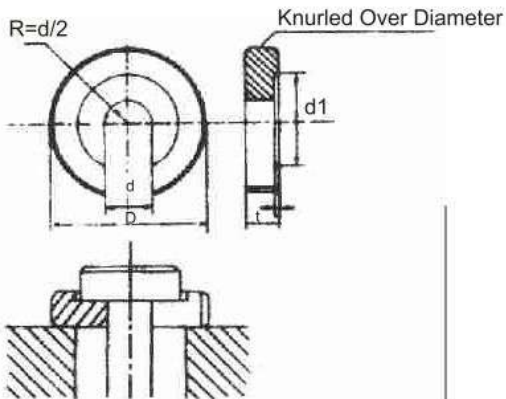


C-WASHER

Case Hardened, Black Finish



ITEM CODE	MODEL	FOR BOLTS OF	D	d	d ₁	t
12301	PCW 8	M 8	28	8.4	21	7
12302	PCW 10	M 10	40	10.5	25	10
12303	PCW 12	M 12	50	13	30	10
12304	PCW 14	M 14	63	15	37	11
12305	PCW 16	M 16	63	17	37	11
12306	PCW 20	M 20	80	21	45	11
12307	PCW 24	M 24	100	25	52	11
12308	PCW 30	M 30	100	31	60	14

FEATURES/USES

- Manufactured as per DIN 6372-1972 based in IS-4291
- Steel heat treated to 40 to 45 HRC.
- Blackodized Finish.
- In the construction of fixtures having special application as spacer or clamping element because it could be swung out of the way and the part can be inserted or removed quickly.