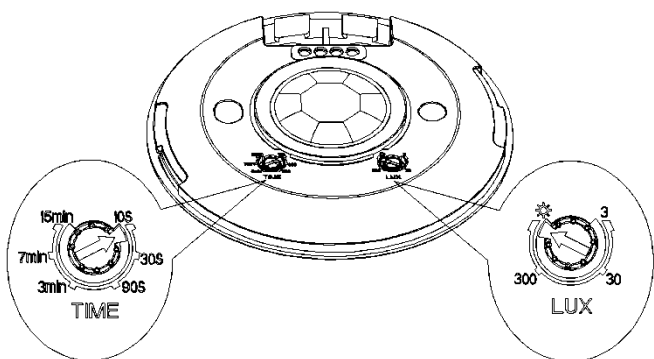




**Features**

Very attractive shape & compact size, White ABS plastic body,  
Good quality sensor element (dual sensor element) Top quality Fresnel lens,  
Relay Protection circuit  
Detection range: 360degree x 12 mtrs  
ON time adjustable from 10 SEC. TO 15 MINUTES (10, 30, 90 second And 3, 7, 15 minute).  
Lux level adjustable from day mode to night mode - The unit can be set to work at a desired lux level.



**Specifications**

Supply voltage: 220 to 240 volts.  
Frequency: 50 / 60Hz, Safe Load : 500watts  
Detectable motion speed: 0.6 to 1.5 mtr/sec  
Relay capacity :16 Amps at 220 to 240 volts



**Industrial Consultant Corporate**

*Manufacturer of energy saving devices, Industrial Contractor*

Flat No:14, Building No:15, Rakshak nagar Phase-1, Kharadi, Pune - 411014

Tel / Fax: 020 - 2701 2277, Mob: 942202 1708, 808729 1914,9766733027.

E-mails: iccpune@dataone.in ; sales.iccpune@gmail.com

Sales Office: Plot No: PAP/IS-57A, MIDC Ranjangaon, Shirur, Dist Pune -

412220. Tel: 02138-232714. Website: www.iccpune.net