

Split Keypad Prepaid Water Meter (LF-SPWM)

IP68 Ingress protection IP68 waterproof

 Up to 8 years battery life

 Automatic valve controlling

STS STS Standard

 Real-time clock

Step Tariff Utilities can set step price into meter on request

 Anti-Tamper
Magnetic field protection

 LORA-RF communication (CIU)

 Pay by mobile payment
M-PESA, Alipay, MTN, Airtel, etc.



Smart Split Keypad Water Meter is composed of a Multi-jet prepaid water meter and a separate customer interface unit (CIU) with RF wireless communication module.

Application:

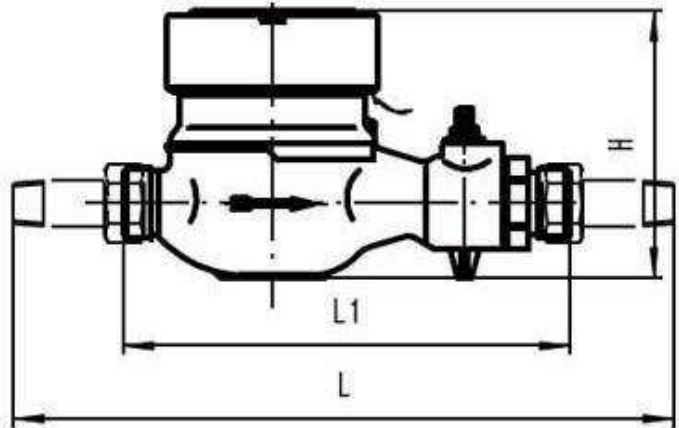
Measuring the volume of cold water through water pipe.

Metrological Parameters of Different Size

Size	DN15	1/2"	DN20	3/4"	DN25	1"
Overload flow rate Q4	3.13		5		7.87	
Permanent flow rate Q3	2.5		4		6.3	
Transitional flow rate Q2	0.04		0.06 4		0.1	
Minimum flow rate Q1	0.025		0.04		0.063	
Ratio "R" Q3/Q1	100		100		100	

Features

- * Maximum working pressure: 16 Bar
- * Maximum pressure loss: 0.6 Bar
- * Maximum reading: 99999
- * Working temperature: <50°C
- * Error: $Q_1 \leq Q \leq Q_{25\%}$;
 $Q_2 \leq Q < Q_{42\%}$



Meter Dimension

Size	DN15	1/2"	DN20	3/4"	DN25	1"
Length(L)	165/190		190		225/260	
Width(W)	99		99		103	
Height(H)	104		106		114	
Connecting Thread	G3/4B		G1B		G1-1/4B	

Functions

The integrated keypad of water meter and CIU are offered to enter recharge TOKEN and check information by short codes.

The CIU is installed inside customer' s house, when the meter is kept away from customer' s reach in locked boxes or houses.

Basic Functions

- * Meter Recharge: By inputting 20 digits Token.
- * Low Credit Alarm: Alarm value can be set by inputting corresponding TOKEN.
- * Non-return valve: Non-return valve inside for preventing back-flow.

Communication:

The meter is available with AMI system through LORA-RF or Bluetooth 4.0 on request.

Anti-Tamper Functions:

Meter will automatically close the valve after detection of magnetic field and open cover event.

Step Tariff:

Meters can be set Step Tariff by inputting corresponding TOKEN. Utilities can set step price on request.

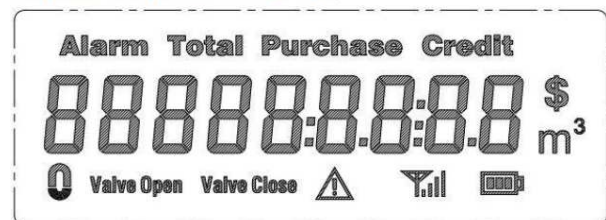
Overdraft Collection:

Non- Revenue water (Overdraft) can be collected day by day or month by month.

Information Inquiry:

Consumer could check the data like Credit Remain, Total Purchased and Total Credit by inputting the short code.

Liquid Crystal Display:



Three solutions to recharge prepaid water meter

1. By Stronpay vending Software

⇒ Via local sales point or handheld mobile vending unit



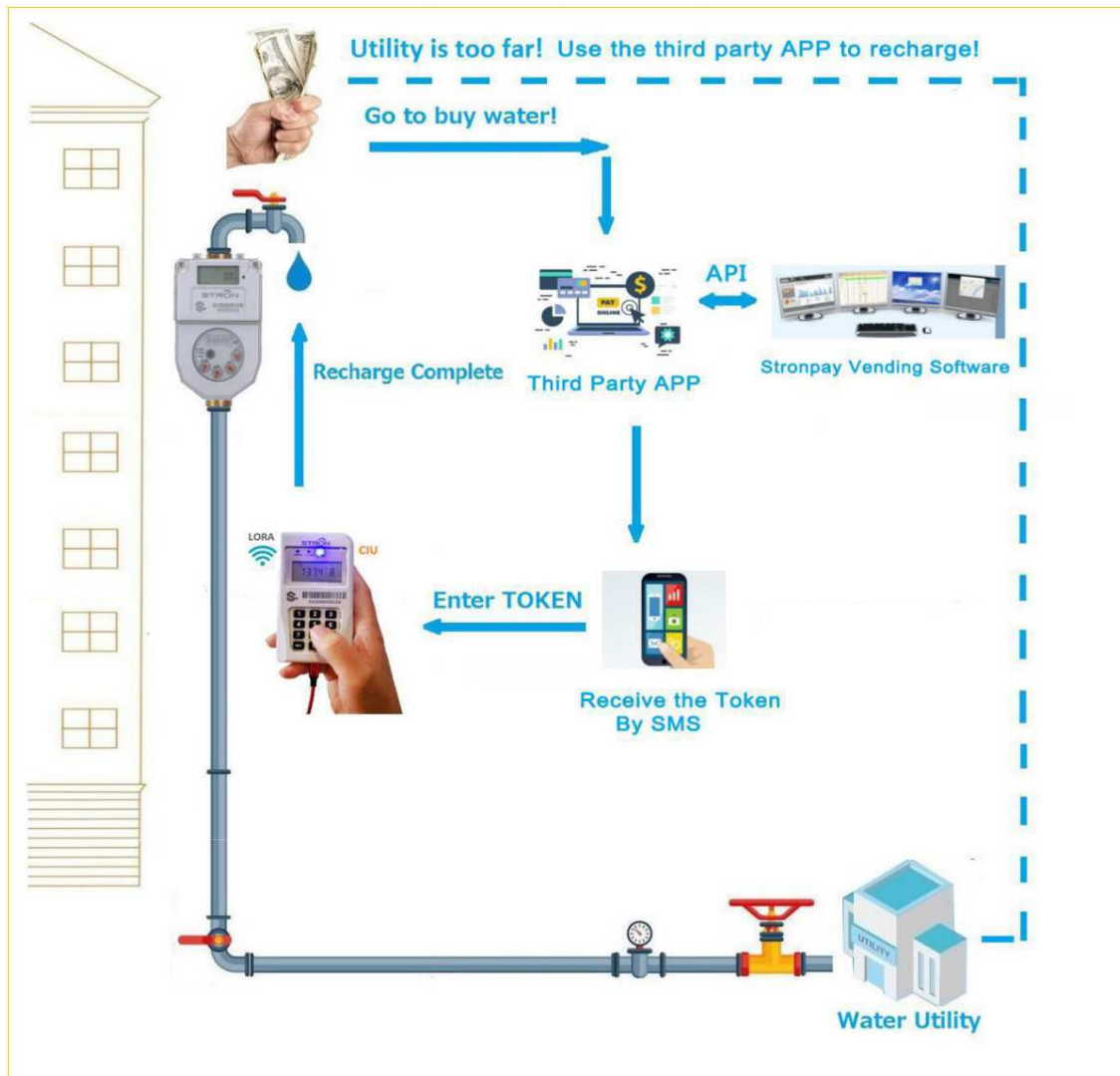
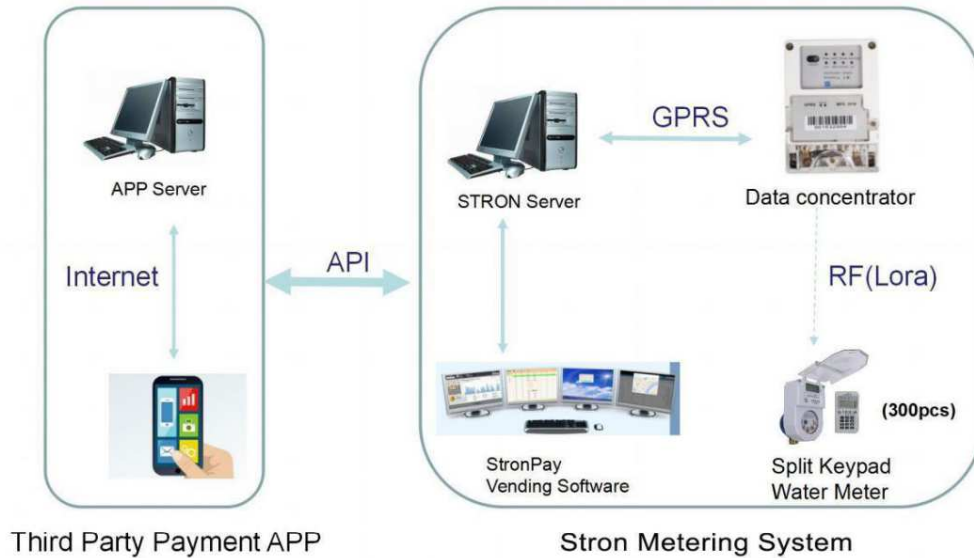
Operation of vending software

1. Login vending system
2. Meter number registration
3. Customer information registration
4. Price Setting
5. Open Account
6. Vending/Topping up meters
7. Get the Token
8. Input Token to meter with keypad
9. Recharging successfully

2. By the third party platform or local mobile payment with API

⇒ Via mobile phone

API: Application Program Interface, which is the agreement connecting the third party APP and our Stronpay vending software.



The advantages to recharge with mobile payment:

- * Users can top up water by mobile money without leaving the house.
- * Users could check information by their telephone.
- * It helps utilities for Revenue protection and consumer management.

3. By the AMI System

↪ Recharge remotely via DCU and LORA-RF module

Unit No	Area	Phase	Meter ID	Current Value	Current Rate	Current Price	Current Status	Current Error	Current Meter
1001	10	10	101	10000	10	10	10	10	10
1002	10	10	102	10000	10	10	10	10	10
1003	10	10	103	10000	10	10	10	10	10
1004	10	10	104	10000	10	10	10	10	10
1005	10	10	105	10000	10	10	10	10	10
1006	10	10	106	10000	10	10	10	10	10
1007	10	10	107	10000	10	10	10	10	10
1008	10	10	108	10000	10	10	10	10	10
1009	10	10	109	10000	10	10	10	10	10
1010	10	10	110	10000	10	10	10	10	10
1011	10	10	111	10000	10	10	10	10	10
1012	10	10	112	10000	10	10	10	10	10
1013	10	10	113	10000	10	10	10	10	10
1014	10	10	114	10000	10	10	10	10	10
1015	10	10	115	10000	10	10	10	10	10
1016	10	10	116	10000	10	10	10	10	10
1017	10	10	117	10000	10	10	10	10	10
1018	10	10	118	10000	10	10	10	10	10
1019	10	10	119	10000	10	10	10	10	10
1020	10	10	120	10000	10	10	10	10	10

How to recharge by AMI System?

