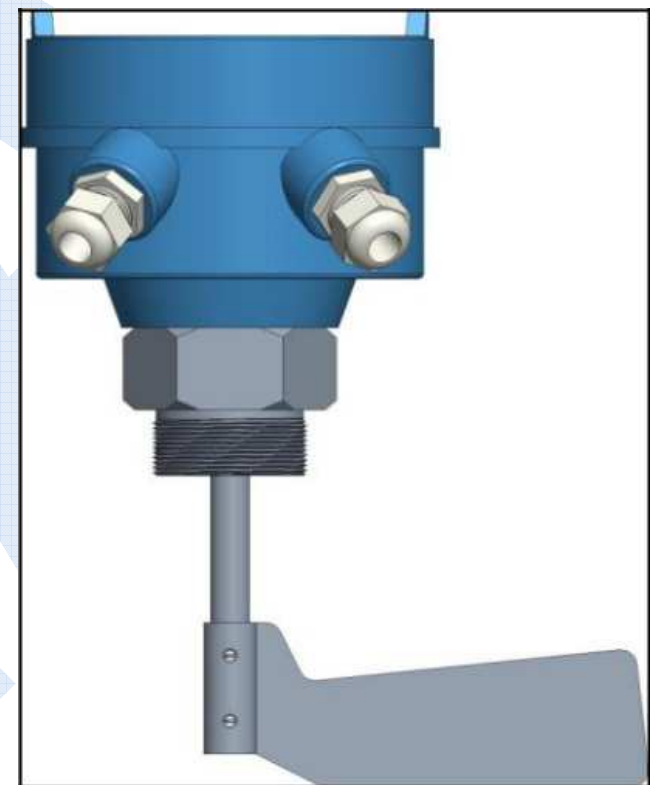


PRINCIPAL

A stepper motor rotate the Paddle slowly an encoder coupled to the paddle shaft produces electrical pulses during its rotation. The pulses are monitored by a microcontroller to monitor its movement. Paddle rotation stops when the material covers it. The microcontroller gets signal from the encoder about the material presence and signal is processed to derive potential free contacts. The microprocessor continuously checks the material presence. The paddle shakes and vibrates to discard the built up material ensuring the material has receded and paddle is free. There after the output status is changed and motor starts rotating smoothly again waiting for the level to come.

Features

- No Clutch, No Gear, No Spring.
- Flexible coupling (optional as per application)
- Robust, dust and watertight housing
- Extended Probe possible.
- Sealed bearings
- Interchangeable paddle assemblies
- Fail safe switch selectable.
- Time Delay - Field Selected



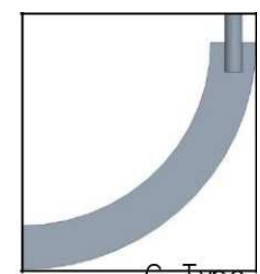
Applications

- Dry sand & fly ash
- PET / PVC chips with under water detection
- rice, wheat, other food grain, flour
- iron ore, sinters and pulverized coal
- Milk powder

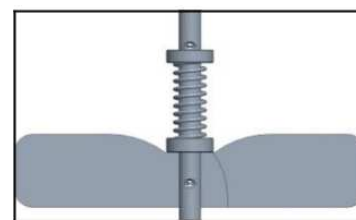
Types of Fans



L Type



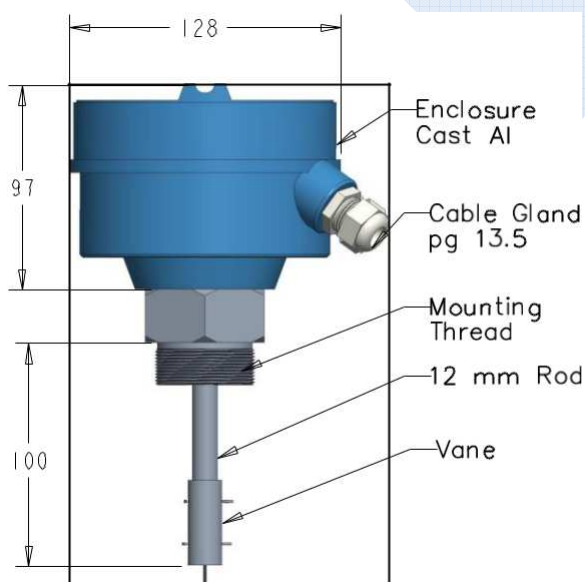
C Type



Scissor Type



Star Type

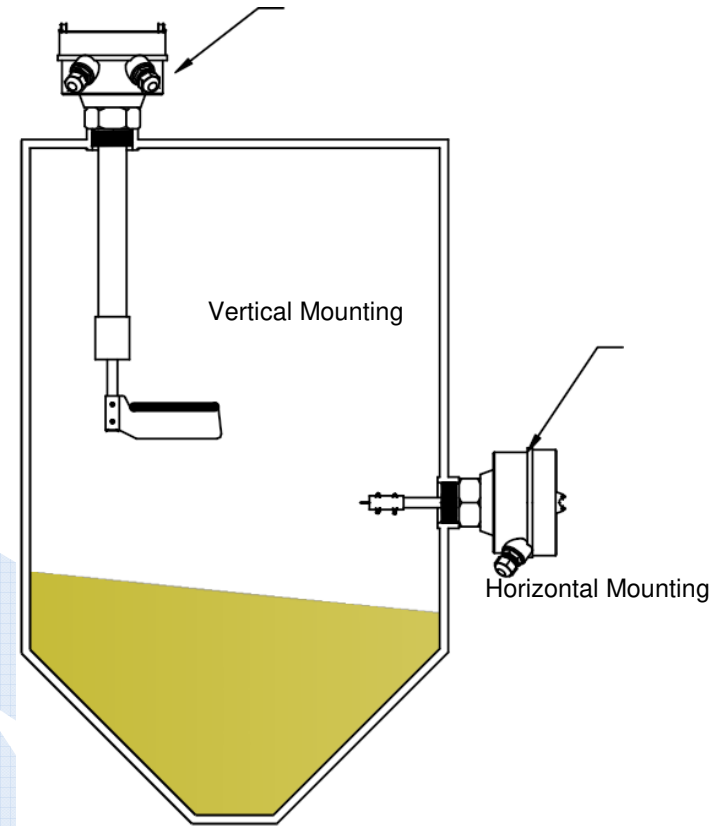


Level & Flow Industrial Automation (OPC) Pvt. Ltd.

141, Vardhman Grand Plaza, Manglam Place, Sector-3, Rohini, New Delhi - 110085
 Email: levelflowinfo@gmail.com, sales@levelandflow.in; Website: www.levelnflow.com, www.levelandflow.in
 Mobile No.: +91-9990423266, +91-9990422266
 An ISO 9001-2015 Certified Company

Technical Specification

MODEL	LFR-20
Housing	Aluminum, Weather Proof, Powder Coated
Cable entry	2 nos.
Mains Voltage	Universal 65 to 260 V AC,50 Hz, or 24 V DC
Fail safe	Selectable for High or low
Output	2 sets of Potential Free c/o contacts rated at 5 amps, 230 V AC for non-inductive loads
Power consumption	8 VA
Mounting	Screwed 1 1/2" BSP (Standard) or Flanged and others (optional)
Sense Rod	Stainless steel, 12 MM DIA
Cable Gland	PG -13, 2 nos. (Polymer)
Insertion Length	100 mm standard
Extension	As per application
Revolution per Minute	8 / minute
Material of Wetted Parts	Stainless Steel
Number of vanes	Stainless steel, various types available as per application
Process Connection	1, 1-1/2" BSP (standard) others on request
Special Version	1 Detection of solids under 15 meter water column. 2 Angular probe for bulk material up to 50mm grains size.



Mounting Arrangement

Model Selection

LFR-20

- Enclosure (E)**
 - 1 - Weatherproof IP-65
 - 2 - Flameproof
- Temperature (T)**
 - 1 -Standard Temperature Up to 80°C
 - 2 -High Temperature max Up to 220°C
- Probe Length (PI)**
 - 1 -Standard Probe Length 100 mm
 - 2 -Extended Probe Length Upto 2000 mm
 - 3 - Extension with protection pipe upto 2000mm
 - 4 - Extended probe (rope type)
- Mounting Arrangement (M)**
 - 1 - Threaded BSP / NPT
 - 2 -Flanged ANSI/DIN ; 3 - Others
- Wetted Part (W)**
 - 1 -SS304
 - 2 - SS316
 - 3 -Others (consult factory)
- Output (O)**
 - 1 - SPDT
- Fan Type (F)**
 - 1 - L Type
 - 2 - C Type (Crescent moon)
 - 3 - Star Type
 - 4 - Scissor Type

LFR-20	E	T	PI	M	W	O	F
	1	1	2	1	1	1	1

