

Magnetic Float Level Switch



LFS3

**Level & Flow Industrial
Automation (OPC) Pvt. Ltd.**

Email: info@levelinflow.com
Website: www.levelinflow.com
Contact No. : +91-8448557369

Bhavya Gold Plaza
207, S/F, Gali no. 6-7, Beadonpura
Karol Bagh, New Delhi - 110005

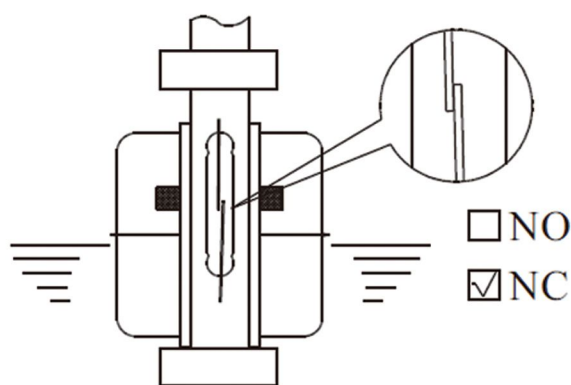
DESCRIPTION

The single Point or multiple reed switch units are housed tightly in SS or PP, and the permanent magnet is sealed into the middle of the specified float ball. The float up and down at the specified position by graduating rings.

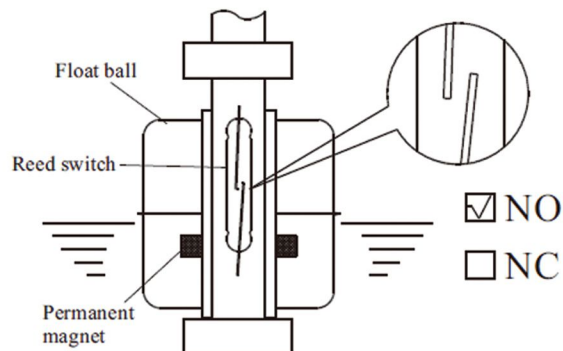
When the float internal magnet approaches the reed switch, it will actuate the reed switch contact point to create an open or close circuit.

Sensors are available in SS/PP moc & made in different lengths for single or multiple levels sensing of liquids. SS are used in food grade and high temperature application.

The figures below show the float orientations on N.O (Normal Open) and N.C (Normal Close).



Rising float ball to switch off.



Rising float ball to actuate the reed switch



FEATURE

Multiple point level switches in single level switch.

Employing to power actuate the reed switch requires no power

These float level switches are more cost effective than other level switches in terms of multiple points.

The housing protection is at least IP65.

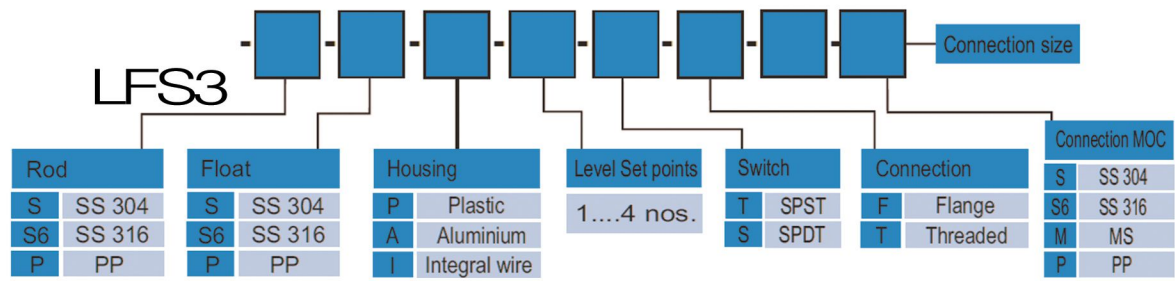
The reed switch and lead wire are isolated with liquids absolutely.

Application : Diesel, generator facilities, petrochemical, Condensate, acids, chemical, beverages, milk, juices, oil, cooling tower, etc.

TECHNICAL SPECIFICATION

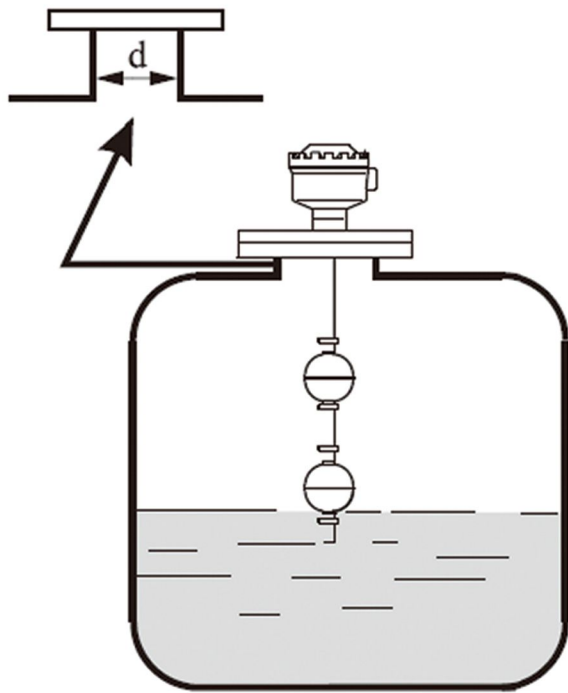
Model	LFS3
MOC	SS304 / SS316 / PP
Operating Temperature	0° C – 100° deg. C (45° deg. C for PP)
Operating Pressure	10 kg /cm²
Mounting	Top
Switch Contact Rating	1 Amp. each
Housing	Aluminium /PP
Connection	Flange / Threaded
Pipe Length	Upto 3000 mm
Supply	24V DC

MODEL SELECTION

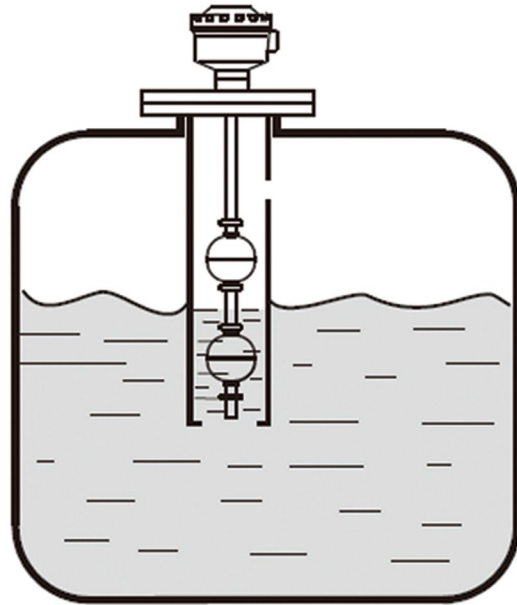


INSTALLATION METHOD

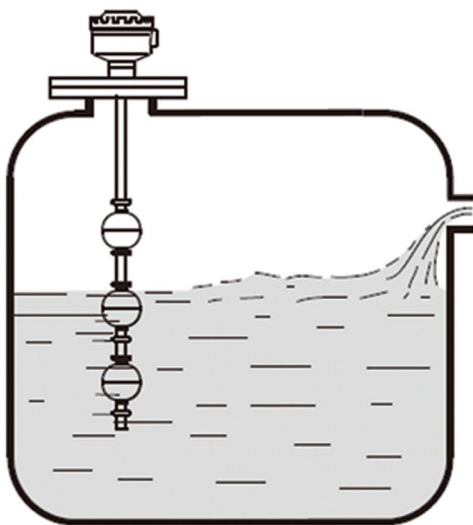
- It is recommended to select the standpipe with diameter larger than the float ball for installation process.



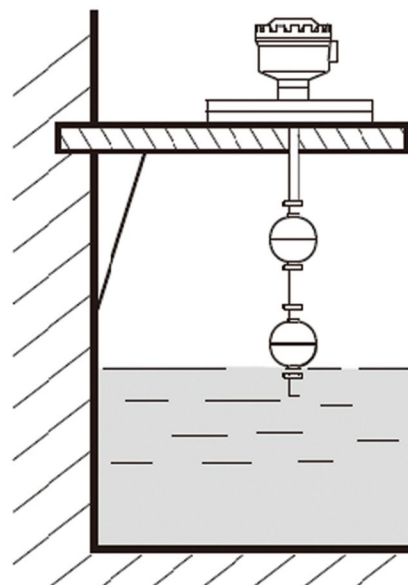
It is advised to place a pipe shield or equivalent device to normalize the switch actuation if the switch is used near agitator.



- The float level switch should be mounted far away from liquid inlet. Any strong liquid fluctuation will produce error output signals.



- It had better require an L type supporter, when the switch is mounted in concrete wall tank as figure below.



* (All models may differ in looks & all specification may not be part of every version)
* (Specification may vary as per different model selected. Some feature may not be there in model selected.)