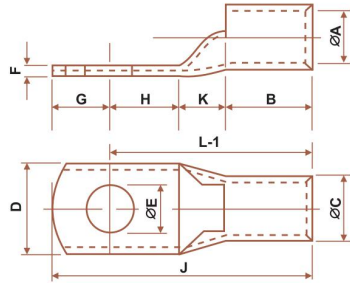


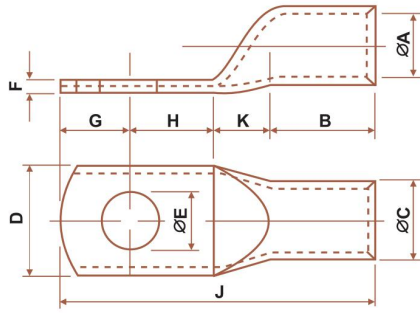
TINNED COPPER HEAVY DUTY CABLE TERMINAL ENDS WITH INSPECTION SLOT



MATERIAL :
COPPER TUBE TO BS 1977/ISI 191 (PART V)
E. C. GRADE 99.25% IACS

FINISH :
ELECTRO TINNED TO BS 1872 (1984)

MM ²	ØE	ØA	ØC	D	F	G	H	K	B	L-1	J	CAT NO
1.5	5.2	1.8	3.7	8.0	1.0	4	5	2	5	12	16	KK-538
1.5	6.5	1.8	3.7	10.0	0.8	4	5	2	5	13	18	KK-539
2.5	4.2	2.4	4.0	8.0	1.0	5	6	2	7	14	18	KK-388
2.5	5.2	2.4	4.0	10.0	0.8	5	6	2	7	15	20	KK-540
2.5	6.5	2.4	4.0	10.0	0.8	5	6	2	7	15	20	KK-541
4.0	5.2	3.1	4.8	10.0	1.0	5	6	2	7	15	20	KK-389
4.0	6.5	3.1	4.8	10.0	1.0	5	6	2	7	15	20	KK-543
6.0	5.2	3.8	5.5	10.0	1.2	5	6	3	9	18	23	KK-390
6.0	6.5	3.8	5.5	12.0	1.0	6	9	3	9	21	27	KK-544
6.0	8.4	3.8	5.5	12.0	1.0	6	9	3	9	21	27	KK-545
10.0	6.5	4.5	6.2	12.0	1.2	6	7	3	9	19	25	KK-353
10.0	8.4	4.5	6.2	12.0	1.2	6	9	3	9	21	27	KK-547
16	6.5	5.4	7.1	12.0	1.4	7	7	4	12	23	30	KK-354
16	8.4	5.4	7.1	12.0	1.4	7	7	4	12	25	32	KK-549
25	6.5	6.8	8.8	13.0	2.0	7	7	4	12	23	30	KK-355
25	8.4	6.8	8.8	16.0	2.0	7	7	4	12	27	37	KK-551
25	10.5	6.8	8.8	16.0	1.4	10	11	4	12	27	37	KK-552
35	6.5	8.2	10.6	15.3	2.4	9	9	5	12	26	35	KK-542
35	8.4	8.2	10.6	15.3	2.4	9	9	5	12	26	35	KK-356
35	10.5	8.2	10.6	18.0	2.0	10	11	5	12	28	38	KK-554
50	8.4	9.5	12.4	17.8	2.9	10	11	6	16	33	43	KK-357
50	10.5	9.5	12.4	17.8	2.9	10	11	6	16	33	43	KK-556
70	8.4	11.2	14.7	21.0	3.5	12	13	7	18	38	50	KK-557
70	10.5	11.2	14.7	21.0	3.5	12	13	7	18	38	50	KK-358
70	13.0	11.2	14.7	21.0	3.5	12	13	7	18	38	50	KK-559
95	10.5	13.5	17.4	25	3.9	13	13	9	20	42	55	KK-359
95	13.0	13.5	17.4	25	3.9	13	13	9	20	42	55	KK-561
120	13.0	15.0	19.4	28	4.4	14	14	10	22	46	60	KK-241
120	17.0	15.0	19.4	28	4.4	16	16	10	22	48	64	KK-546
150	13.0	16.5	21.2	30	4.7	16	16	11	26	53	69	KK-242
150	17.0	16.5	21.2	30	4.7	16	16	11	26	53	69	KK-564
185	17.0	18.5	23.5	34	5.0	17	17	12	32	61	78	KK-243
240	17.0	21.0	26.5	38	5.5	20	20	14	38	72	92	KK-244
240	21.0	21.0	26.5	38	5.5	20	20	14	38	72	92	KK-567
300	17.0	23.5	30.0	43	6.5	22	22	15	42	79	101	KK-245
300	21.0	23.5	30.0	43	6.5	22	22	15	42	79	101	KK-569
400	17.0	28.5	36.5	50.1	8.0	26	26	18	44	88	114	KK-246
400	21.0	28.5	36.5	50.1	8.0	26	26	18	44	88	114	KK-571
500	21.0	30.0	39.0	56.0	9.0	28	28	20	48	96	124	KK-247
500	17.0	30.0	39.0	56.0	9.0	28	28	20	48	96	124	KK-596
630	-	35.0	45.0	65.0	9	-	-	20	48	-	124	KK-573
630	21.0	35.0	45.0	65.0	10	33	33	22	56	111	144	KK-248
800	-	39.0	50.6	73.5	11.6	-	-	17	78	-	170	KK-599
1000	-	43.0	56.2	81.0	13.2	-	-	20	90	-	200	KK-590



MATERIAL : ELECTROLYTIC COPPER

FINISH : ELECTRO TINNED

MM ²	øE BOLT MM	øA	øC	D	F	B	K	H	G	J	CAT NO
2.5	M5	2.0	3.7	9	1.0	7	3	5	5	20	KK-05
4.0	M6	3.1	4.8	11	1.0	7	3	6	6	22	KK-06
6.0	M6	3.8	5.5	11	1.0	9	3	6	6	24	KK-07
10	M6	4.4	6.2	11	1.3	9	3	6	6	24	KK-08
16	M6	5.3	7.1	11	1.6	12	4	8	6	30	KK-09
25	M6	7.0	9.0	13	2.0	12	5	12	8	37	KK-10
35	M6	8.0	10.0	15	2.0	12	5	12	8	37	KK-11
35	M8	8.0	10.0	15	2.0	12	5	12	8	37	KK-12
50	M6	9.2	11.2	16	2.0	16	8	11	10	45	KK-13
50	M8	9.2	11.2	16	2.0	16	8	11	10	45	KK-14
50	M10	9.2	11.2	16	2.0	16	8	11	10	45	KK-15
70	M8	11.5	13.8	20	2.2	18	10	15	13	56	KK-16
70	M10	11.5	13.8	20	2.2	18	10	15	13	56	KK-17
70	M12	11.5	13.8	20	2.2	18	10	15	13	56	KK-18
95	M10	12.8	15.6	23	2.8	20	10	15	13	58	KK-19
95	M12	12.8	15.6	23	2.8	20	10	15	13	58	KK-20
120	M10	14.8	17.8	26	3.0	22	10	16	14	62	KK-21
120	M12	14.8	17.8	26	3.0	22	10	16	14	62	KK-22
120	M16	14.8	17.8	25	3.0	22	10	16	14	62	KK-23
150	M10	16.0	19.6	28	3.6	26	11	18	15	70	KK-24
150	M12	16.0	19.6	28	3.6	26	11	18	15	70	KK-25
150	M16	16.0	19.6	28	3.6	26	11	18	15	70	KK-26
185	M12	18.0	22.0	32	4.0	30	11	21	21	83	KK-27
185	M16	18.0	22.0	32	4.0	30	11	21	21	83	KK-28
225	M16	20.0	24.0	35	4.0	34	13	24	24	95	KK-231
240	M16	22.0	26.0	38	4.0	36	13	24	24	97	KK-29
240	M20	22.0	26.0	38	4.0	36	13	24	24	97	KK-30
300	M16	24.0	28.7	42	4.7	39	13	26	25	103	KK-31
300	M20	24.0	28.7	42	4.7	39	13	26	25	103	KK-32
400	M20	28.0	33.2	49	5.2	44	18	27	27	116	KK-33
500	M20	30.0	36.0	53	6.0	48	18	27	27	120	KK-34
630	M20	35.0	41.5	61	6.5	55	18	33	31	137	KK-35
800		39.0	46.3	67	7.3	65	25	38	37	165	KK-062
1000		43.0	53.8	76	10.8	90	30	45	45	210	KK-076