



SOURCING STORING SUPPLY



Threaded Studs (Internal Threaded)

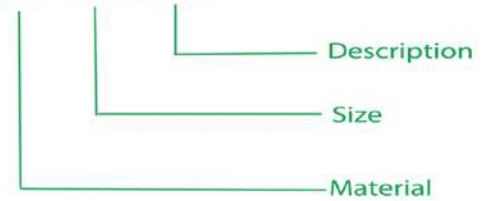
Material: Aluminium (ALmg3)



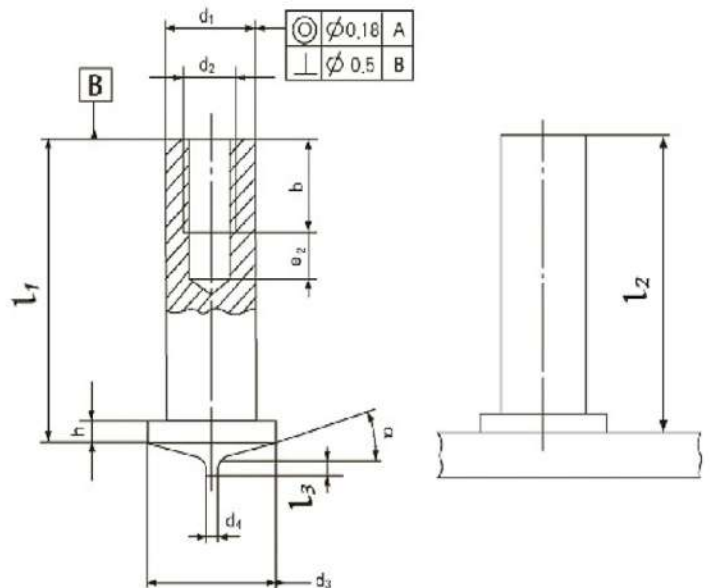
Aluminium

Part Code: MV3-5X-WTI

Example:
MVX- XX- XXX



$d_2 * l_1$	$d_1 \pm 0.6$	$b \pm 0.5$	$d_3 \pm 0.2$	$d_4 \pm 0.08$	l_3	h	$\alpha \pm 1^\circ$
M5*8	7.1	7.50	9.00	0.80	0.85	0.8-1.4	3°
M5*10	7.1	7.50	9.00	0.80	0.85	0.8-1.4	3°
M5*12	7.1	7.50	9.00	0.80	0.85	0.8-1.4	3°
M5*15	7.1	7.50	9.00	0.80	0.85	0.8-1.4	3°
M5*16	7.1	7.50	9.00	0.80	0.85	0.8-1.4	3°
M5*20	7.1	7.50	9.00	0.80	0.85	0.8-1.4	3°
M5*25	7.1	7.50	9.00	0.80	0.85	0.8-1.4	3°
M5*30	7.1	7.50	9.00	0.80	0.85	0.8-1.4	3°
M5*35	7.1	7.50	9.00	0.80	0.85	0.8-1.4	3°
M5*40	7.1	7.50	9.00	0.80	0.85	0.8-1.4	3°



(Before Welding)

(After Welding)