

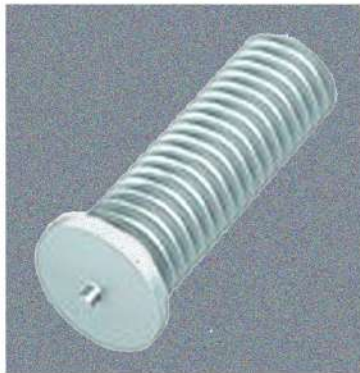


SOURCING    STORING    SUPPLY



## Threaded Studs (External Threaded)

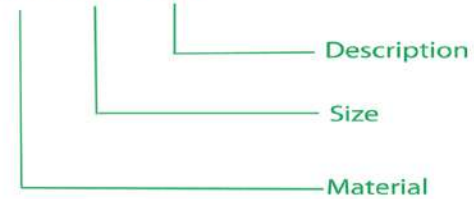
Material: Aluminium (ALmg3)



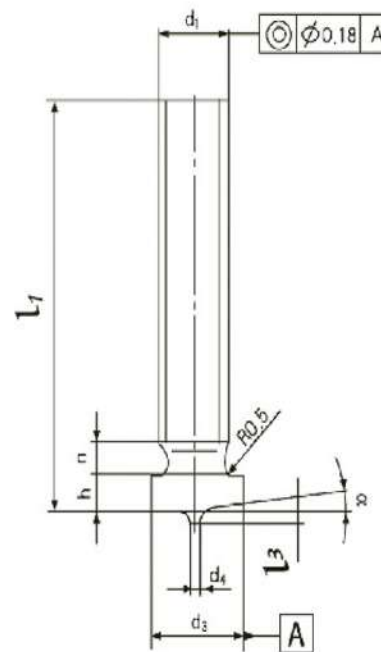
Aluminium

Part Code: MV3-3X-WTS

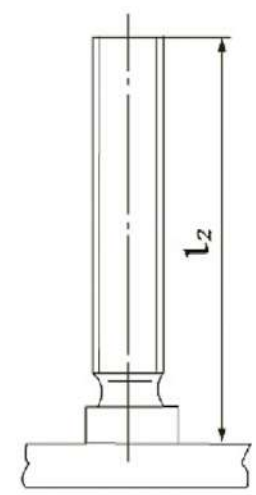
Example:  
MVX- XX- XXX



$d_1 \times l_1$	$d_3 \pm 0.2$	$d_4 \pm 0.08$	$l_3 \pm 0.05$	h	$n_{max}$	$\alpha \pm 1^\circ$
M3*5	4.5	0.65	0.55	0.7-1.4	1.50	3°
M3*6	4.5	0.65	0.55	0.7-1.4	1.50	3°
M3*7	4.5	0.65	0.55	0.7-1.4	1.50	3°
M3*8	4.5	0.65	0.55	0.7-1.4	1.50	3°
M3*10	4.5	0.65	0.55	0.7-1.4	1.50	3°
M3*12	4.5	0.65	0.55	0.7-1.4	1.50	3°
M3*15	4.5	0.65	0.55	0.7-1.4	1.50	3°
M3*16	4.5	0.65	0.55	0.7-1.4	1.50	3°
M3*20	4.5	0.65	0.55	0.7-1.4	1.50	3°
M3*25	4.5	0.65	0.55	0.7-1.4	1.50	3°
M3*30	4.5	0.65	0.55	0.7-1.4	1.50	3°
M3*35	4.5	0.65	0.55	0.7-1.4	1.50	3°



(Before Welding)



(After Welding)