



SOURCING STORING SUPPLY



Threaded Studs (External Threaded)

Material: Stainless Steel

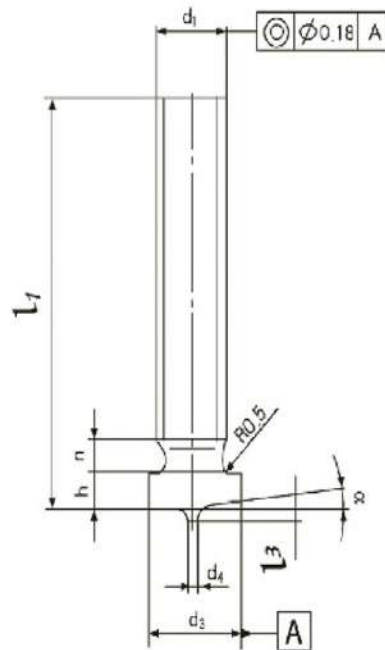


Stainless Steel

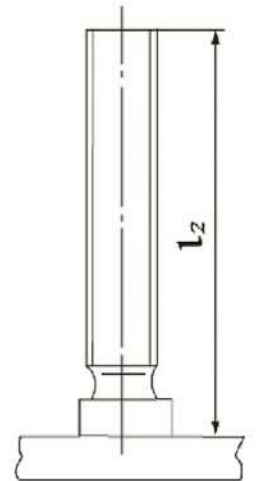
$d_1 * l_1$	$d_3 \pm 0.2$	$d_4 \pm 0.08$	$l_3 \pm 0.05$	h	n_{max}	$\alpha \pm 1^\circ$
M3*5	4.5	0.65	0.55	0.7-1.4	1.50	3°
M3*6	4.5	0.65	0.55	0.7-1.4	1.50	3°
M3*7	4.5	0.65	0.55	0.7-1.4	1.50	3°
M3*8	4.5	0.65	0.55	0.7-1.4	1.50	3°
M3*10	4.5	0.65	0.55	0.7-1.4	1.50	3°
M3*12	4.5	0.65	0.55	0.7-1.4	1.50	3°
M3*15	4.5	0.65	0.55	0.7-1.4	1.50	3°
M3*16	4.5	0.65	0.55	0.7-1.4	1.50	3°
M3*20	4.5	0.65	0.55	0.7-1.4	1.50	3°
M3*25	4.5	0.65	0.55	0.7-1.4	1.50	3°
M3*30	4.5	0.65	0.55	0.7-1.4	1.50	3°
M3*35	4.5	0.65	0.55	0.7-1.4	1.50	3°

Part Code: MV2-3X-WTS

Example:
MVX- XX- XXX



(Before Welding)



(After Welding)