

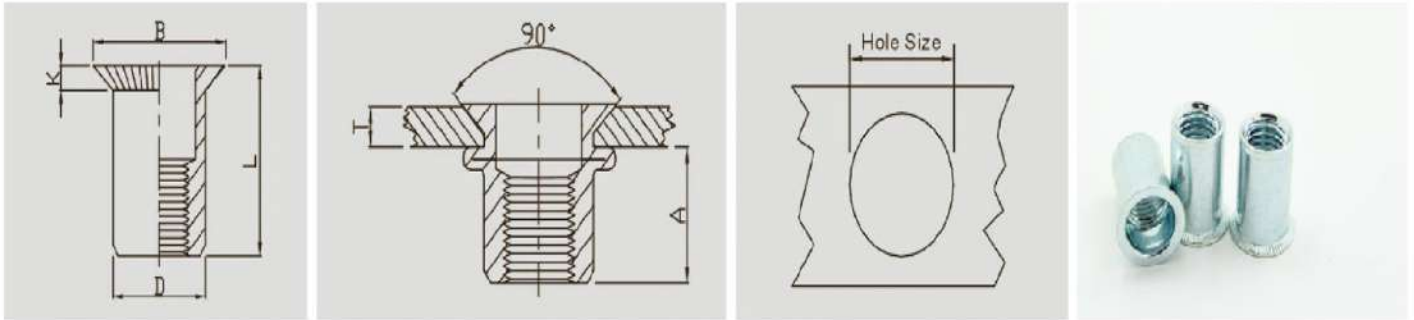


SOURCING    STORING    SUPPLY



## Carbon Steel Insert Nut

### Countersunk Head Round Body Plain



Part Code	Size	T(Grip Range)		A Rer	Hole Size $+0.1$ O	D $+0.07$ $-0.1$	B	K	L
		min	max						
MV1CSHRM4A	M4*0.7	1.5	3.0	6.5	6.0	5.9	9.0	1.5	12.0
MV1CSHRM5A	M5*0.8	1.5	3.5	7.5	7.0	6.9	10.0	1.5	13.0
MV1CSHRM6A	M6*1.0	1.5	4.0	9.0	9.0	8.9	12.0	1.5	15.5
MV1CSHRM8A	M8*1.25	2.0	4.5	11.0	11.0	10.9	14.0	1.5	18.5
MV1CSHRM10A	M10*1.5	2.0	5.0	13.0	13.0	12.9	16.0	1.5	21.0

(Unit in mm)