



Rotating Paddle Level Switch (JAYCEEROTO 6000 SERIES)

PRINCIPAL

A small electric motor drives the paddle, which rotates freely in the absence of material. Impeded by material the motor will be turned within the housing while loading a spring and triggering two switches. One of them is a dry electric contact for control and alarm functions while the other cuts the power to the motor. When the material level drops, the loaded stretched tension spring returns the motor to its original position and the unit is reactivated.

Features

- Special clutch design(non magnetic)
- Flexible coupling (optional as per application)
- Robust, dust and watertight housing
- Extended Probe possible.
- Sealed bearings
- Interchangeable paddle assemblies
- 1 SPDT (microswitch)

Applications

- Dry sand & fly ash
- PET / PVC chips with under water detection
- rice, wheat, other food grain, flour
- iron ore, sinters and pulverized coal
- Milk powder

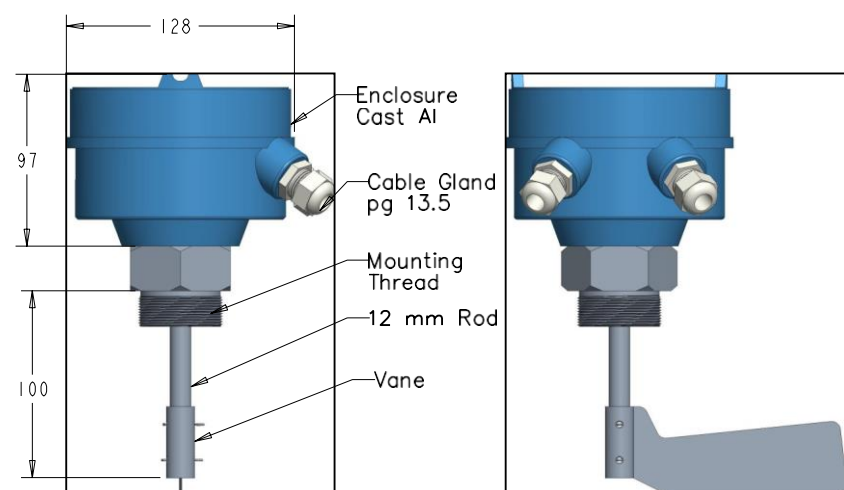


Figure 1 : Rotating Paddle level switch

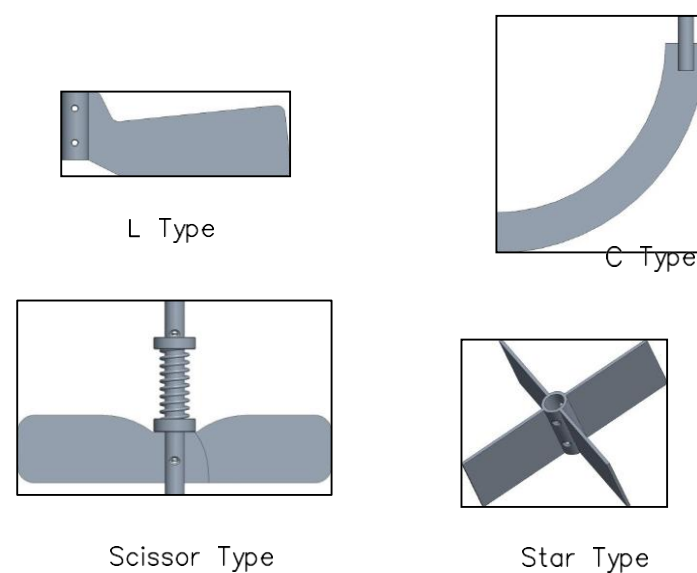


Figure 2 : Types Of Fan

JAYCEE TECHNOLOGIES PVT. LTD.

An ISO 9001-2008 C E Certified Company

Shed No. 7, Nanekar Industries Building, Survey No. 79/2,

Dangat Industrial Estate, Shivane, Pune - 411 023, India

Contact No. : 07447401743

Email : jayceetech@gmail.com Website : WWW.jayceetech.com



Technical Specification

Housing	: Cast Aluminum,
Mains Voltage	: 230 V AC, ± 15% or 110 V AC or 24 V DC
Output	: SPDT 230 V AC, 10 A
Ambient temperature	: -40 C ... + 65 C
Cable gland	: PG -13, 2 nos. (Polymer)
Mounting	: Screwed 1 ½" BSP (standard) Or Flanged and other (optional)
Sense rod	: Stainless steel, 12 MM DIA
Insertion length	: 100 mm standard
Extension	: Up to 2 mtrs
Revolution per minute	: 1 / minute
Material of wetted parts	: stainless steel
Number of vanes	: Stainless steel, 1 to 4, various types available as per application
Process Connection	: 1, 1-1/2" BSP (standard) others on request
Medium Temperature	: 40 ° C... + 80 ° C
Version	: up to 260 ° C available
Special Version	: 1 Detection of solids under 15 meter water column. 2 Angular probe for bulk material up to 50mm grains size.

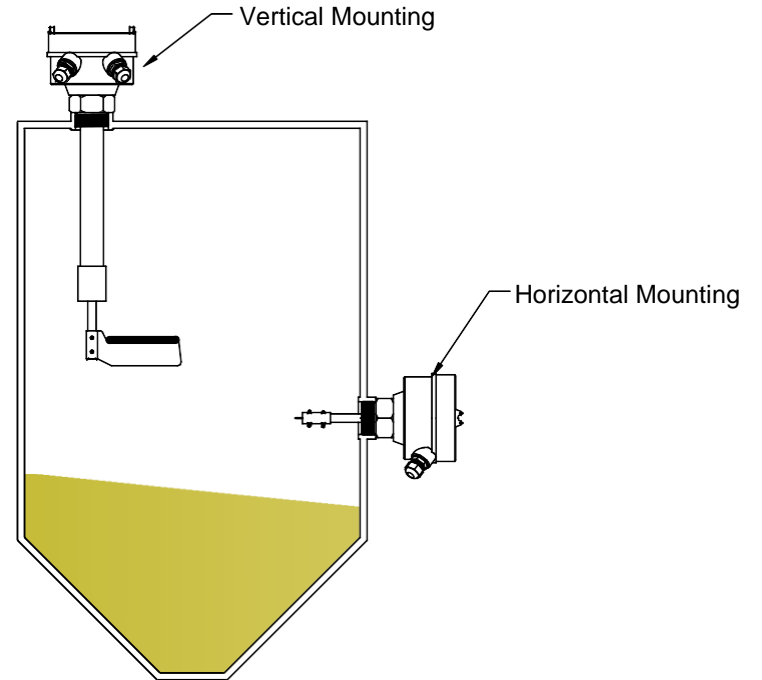


Figure 3 : Mounting Arrangement

Model Selection

JAYCEEROTO							
	Enclosure (E)						
	1 - Weatherproof IP-65 2 - Flameproof						
	Temperature (T)						
	1 -Standard Temperature Up to 80°C 2 -High Temperature max Up to 220°C						
	Probe Length (PI)						
	1 -Standard Probe Length 100 mm 2 -Extended Probe Length Upto 2000 mm 3 - Extension with protection pipe up to 2000mm 4 - Extended Probe (Rope Type)						
	Mounting Arrangement (M)						
	1 - Threaded BSP / NPT 2 -Flanged ANSI/DIN ; 3 -Others						
	Wetted Part (W)						
	1 -SS304 2 - SS316 3 -Others (consult factory)						
	Output (O)						
	1 - SPDT (micro switch)						
	Fan Type (F)						
	1 - L Type 2 - C Type (Crescent moon) 3 - Star Type 4 - Scissor Type						
JAYCEEROTO	E	T	PI	M	W	O	F
6000	1	1	2	1	1	1	1