

FAR

www.far.co.in

**WORLDS
FIRST**

The Power of Versatile Servo

BAR FEEDER

VerSys VF-15



Fully Automatic Short Bar Feeder

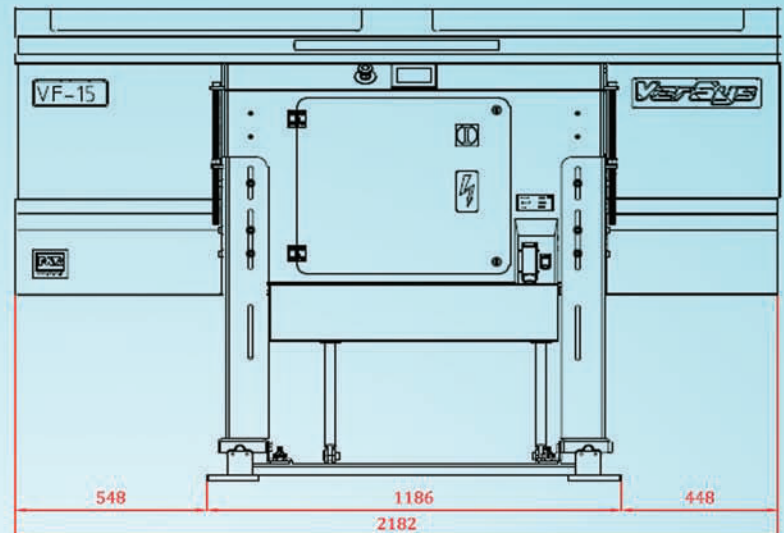
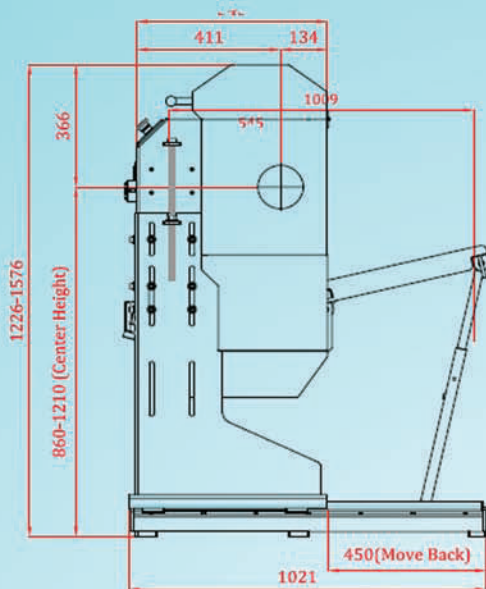
- Great Sustainability
- Less Power Consumption
- Eco Friendly (hydraulic oil/compressed air not required)

Peak Productivity performance.

Our Versatile Bar Feeder system VerSys VF15, which completely Eliminates setup change over time like Pusher/ Pushrod manual changing , Bar stock centre adjustment etc. This will tremendously save machine down time. Also bar changeover time is less than 15 seconds, thanks to the automatic bar setting and centering mechanism.

- Fully automatic Short Bar feeder
- User friendly HMI
- Double Axis Servo control
- Automatic diameter adjustment and pushrod change over
- Fast, reliable and flexible

Overall Dimensions



Note:-

All dimensions are in mm

	VF 12	VF 15
Bar diameter capacity	5 - 76.8 mm (Option upto 104 mm)	5 - 76.8 mm (Option upto 104 mm)
Bar length	Upto 1200 mm (Depends on spindle length)	Upto 1500 mm (Depends on spindle length)
Working axis height	860 mm to 1200 mm	860 mm to 1200 mm
Straightness of bar	No restrictions	No restrictions
Capacity of material rack	Dia. 10 mm - 50 Nos	Dia. 10 mm - 50 Nos
Bar preparation	No. chamfering reqd. A deburr is enough	No. chamfering reqd. A deburr is enough
Bar positioning	By servo through program/ turret stopper	By servo through program/ turret stopper
Bar change over time	10 seconds	10 seconds
Setup change	Not required for Round and Hex jobs	Not required for Round and Hex jobs
Control	Programmable Logic Controller/ Servo	Programmable Logic Controller/ Servo
Power supply	415 V AC. 10 A	415 V AC. 10 A
Main frequency	50 Hz	50 Hz
Control voltage	24 V DC	24 V DC
Installed power	1 kW	1 kW