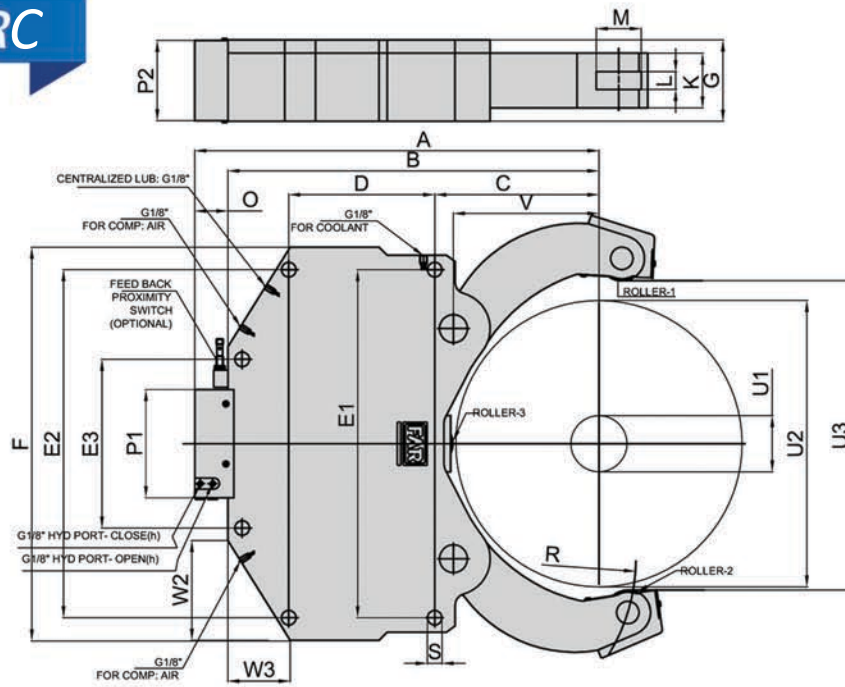


Model: FRC



		FRC3025	FRC4532	FRC8536	FRC1043	FRC1447	FRC1051	FRC2568	FRC4587
	A	434	509	537	622	647.5	707	847	1244
	B	380	465	493	578	603.5	661	803	1200
	C	146	178	208.5	280	305.5	292.5	415	640
	D	155	210	210	220	220	260	312	400
	E1	365	400	400	510	510	620	700	1100
	E2	365	400	400	510	510	620	470	1100
	E3	670
	F	438	500	500	600	600	700	760	1200
	G	110	145	145	145	145	145	165	198
	K	53	68	68	98	98	98	98	118
	L	25	29	29	29	29	32	32	75
	M	52	62	72	80	80	80	100	160
	O	54	44	44	44	44	59	44	44
	P1	158	172	172	194	194	194	194	260
	P2	109	144	144	144	144	144	144	197
	R	168	215	235	280	300	325	430	606
	S	23	23	23	26	26	26	35	35
	V	124.5	167	191	214.5	259	353	480
	W2	132	105	100	160	158	179	188	254
	W3	83	101.5	97	74	104	101	108	135
	U1	30	45	85	100	140	100	250	450
	U2	255	320	360	430	470	510	680	870
	U3	291	358	415	475	524	559	729	968
Centering range.									
Cylinder bore.	d	40	50	50	60	60	60	60	
Hyd.connection	h	G1/8"	G1/8"	G1/8"	G1/8"	G1/8"	G1/8"	G1/8"	G1/8"
Operating pressure. Min/ Max	bar	20-70	20-70	20-70	20-60	20-60	20-60	20-60	20-60
Total clamping force	daN	4500	5500	5500	6800	6800	6800	6800	9200
Centering accuary over the whole clamping range	mm	0.04	0.06	0.06	0.06	0.06	0.1	0.1	0.2
Repeatability.	mm	0.005	0.005	0.005	0.01	0.01	0.02	0.02	0.02
Weight.	kg	73	148	143	195	234	252	370	1337