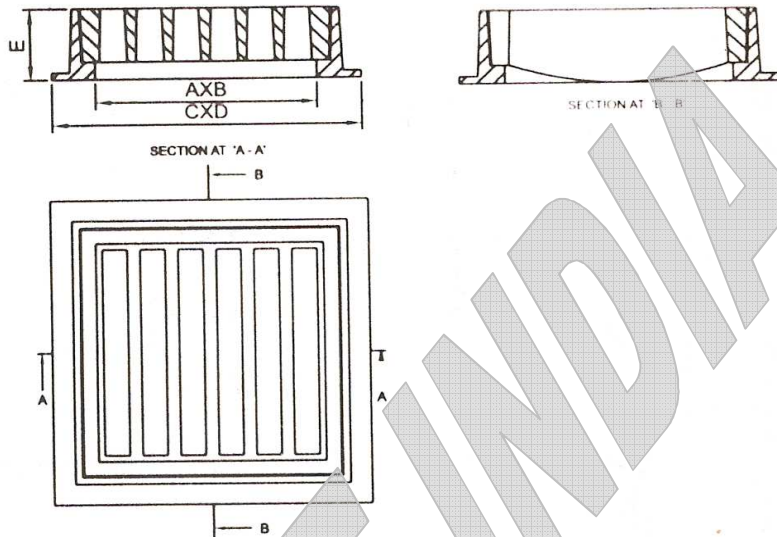


DISHED & SQUARE TYPE GRATINGS WITH FRAMES

SPECIFICATION: BS 497/76

GREY CAST IRON



PRODUCT ID NO.	CLEAR OPENING (AXB) mm	OVERALL BASE (CXD) mm	HEIGHT (E) mm	LOADING	WEIGHT Kg. +/- 5%
UCI 063	300X300	420X420	100	A	50
UCI 064	300X300	420X420	75	B	35
UCI 065	300X300	420X420	55	C	25
UCI 063	450X450	600X600	100	A	75
UCI 064	450X450	600X600	75	B	50
UCI 065	450X450	600X600	55	C	35
UCI 066	600X600	730X730	100	A	100
UCI 067	600X600	730X730	75	B	70
UCI 068	600X600	730X730	55	C	55

1. **Marking:** As per Buyer's requirement Specification will be Cast
2. **Badge:** As per Buyer's requirement if any
3. **Design:** It may be vary a little bit at the time of supply due to change of pattern / change of design.
4. **Logo:** Logo can be changed with special request.
5. **Paint:** Black Bituminous Paint



**AN ISO 9001: 2008
CERTIFIED COMPANY**

**UNICAST
INDIA**

FOUNDERS
EXPORTERS

OFFICE : 7/1, RAJKRISHNA KR. STREET, P.O.-BELURMATH,
DIST-HOWRAH, PIN-711202, WEST BENGAL, INDIA

WORKS : P.O. & VILL-PANCHGHARA, DURGAPUR
EXPRESSWAY, DIST-HOOGHLY, PIN-712306, WEST BENGAL, INDIA

Tele Fax: 0091 33 2654-8057
Email ID : unicastindia@gmail.com

UNICAST INDIA