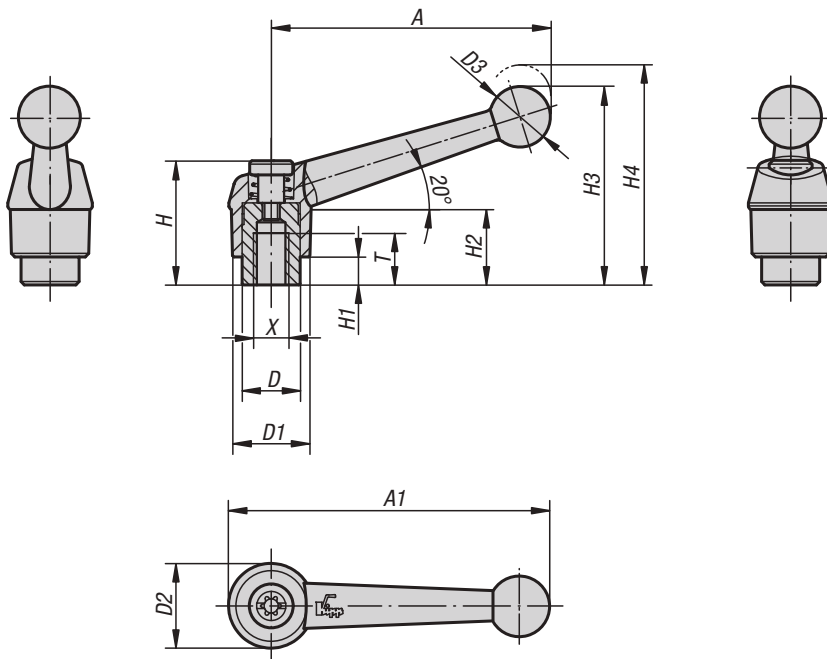


## Clamping levers, tension levers, cam levers



## Clamping levers

internal thread



**Material:**

Handle die-cast zinc DIN EN 12844.  
Steel parts grade 5.8.

**Version:**

Handle plastic-coated,  
steel parts black oxidised.

**Sample order:**

K0116.4103

**Note:**

Standard colours are:  
black satin finish, silver metallic.

**On request:**

Other internal threads, colours and special versions.  
Dimension "H1" available in other lengths at extra charge.

lift to  
disengage



### KIPP Clamping levers with internal thread

Order No. Black satin finish	Order No. Silver metallic	Size	X	T	D	D1	D2	D3	H	H1	H2	H3	H4	A	A1	No. of teeth
K0116.1041	K0116.1043	1	M4	9	10	13	14	10,5	24,5	4	15	32,5	35,5	39	46	16
K0116.1051	K0116.1053	1	M5	9	10	13	14	10,5	24,5	4	15	32,5	35,5	39	46	16
K0116.1061	K0116.1063	1	M6	9	10	13	14	10,5	24,5	4	15	32,5	35,5	39	46	16
K0116.2061	K0116.2063	2	M6	12	13,5	18	18,5	15,5	28,5	6,5	16,5	45,5	49,5	64	73	20
K0116.2081	K0116.2083	2	M8	12	13,5	18	18,5	15,5	28,5	6,5	16,5	45,5	49,5	64	73	20
K0116.3081	K0116.3083	3	M8	14	16	21	22	17	37	10	23	57,5	61,5	79	90	22
K0116.3101	K0116.3103	3	M10	14	16	21	22	17	37	10	23	57,5	61,5	79	90	22
K0116.4101	K0116.4103	4	M10	17	19	25	26	19	42,5	10	26	67	72	95	108	24
K0116.4121	K0116.4123	4	M12	17	19	25	26	19	42,5	10	26	67	72	95	108	24
K0116.5121	K0116.5123	5	M12	23	23	30	31	22	49	12	32	79	84	110	126	26
K0116.5161	K0116.5163	5	M16	23	23	30	31	22	49	12	32	79	84	110	126	26

## Clamping levers

external thread



**Material:**  
Handle die-cast zinc DIN EN 12844.  
Steel parts grade 5.8.

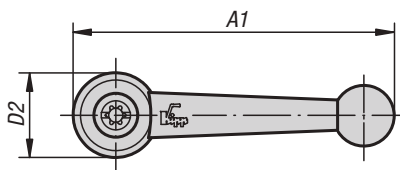
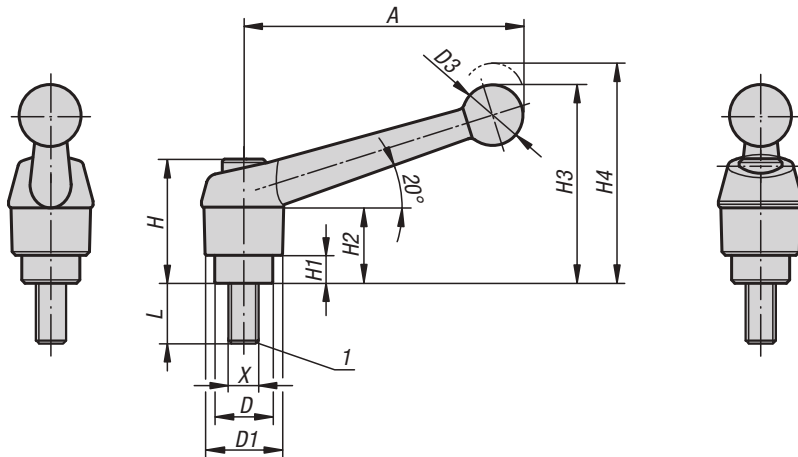
**Version:**  
Handle plastic-coated.  
Steel black oxidised.

**Sample order:**  
K0116.1051X20 (include length L)

**Note:**  
Standard colours are:  
black satin finish, silver metallic.

**On request:**  
Other external threads, screw lengths, colours and special versions.  
Dimension "H1" available in other lengths at extra charge.

**Drawing reference:**  
1) flat point DIN 78



### KIPP Specifications

Size	X	D	D1	D2	D3	H	H1	H2	H3	H4	A	A1	No. of teeth
1	M5/M6	10	13	14	10,5	24,5	4	15	32,5	35,5	39	46	16
2	M6/M8/M10	13,5	18	18,5	15,5	28,5	6,5	16,5	45,5	49,5	64	73	20
3	M8/M10	16	21	22	17	37	10	23	57,5	61,5	79	90	22
4	M10/M12	19	25	26	19	42,5	10	26	67	72	95	108	24
5	M12/M16	23	30	31	22	49	12	32	79	84	110	126	26

### KIPP Clamping levers with external thread

Order No. Black satin finish	Order No. Silver metallic	Size	X	L
K0116.1051X	K0116.1053X	1	M5	10/15/20/25/30/35/40/45/50
K0116.1061X	K0116.1063X	1	M6	10/15/20/25/30/35/40/45/50
K0116.2061X	K0116.2063X	2	M6	15/20/25/30/35/40/45/50/55/60
K0116.2081X	K0116.2083X	2	M8	15/20/25/30/35/40/45/50/55/60
K0116.2101X	K0116.2103X	2	M10	15/20/25/30/35/40/45/50/55/60
K0116.3081X	K0116.3083X	3	M8	15/20/25/30/35/40/45/50/55/60
K0116.3101X	K0116.3103X	3	M10	15/20/25/30/35/40/45/50/55/60
K0116.4101X	K0116.4103X	4	M10	20/25/30/35/40/45/50/55/60/70/80/90
K0116.4121X	K0116.4123X	4	M12	20/25/30/35/40/45/50/55/60/70/80/90
K0116.5121X	K0116.5123X	5	M12	25/30/35/40/45/50/55/60/70/80/90
K0116.5161X	K0116.5163X	5	M16	25/30/35/40/45/50/55/60/70/80/90

## Clamping levers

internal thread, steel parts stainless steel



**Material:**

Handle die-cast zinc DIN EN 12844.  
Steel parts stainless steel 1.4305.

**Version:**

Handle plastic-coated.  
Steel parts bright.

**Sample order:**

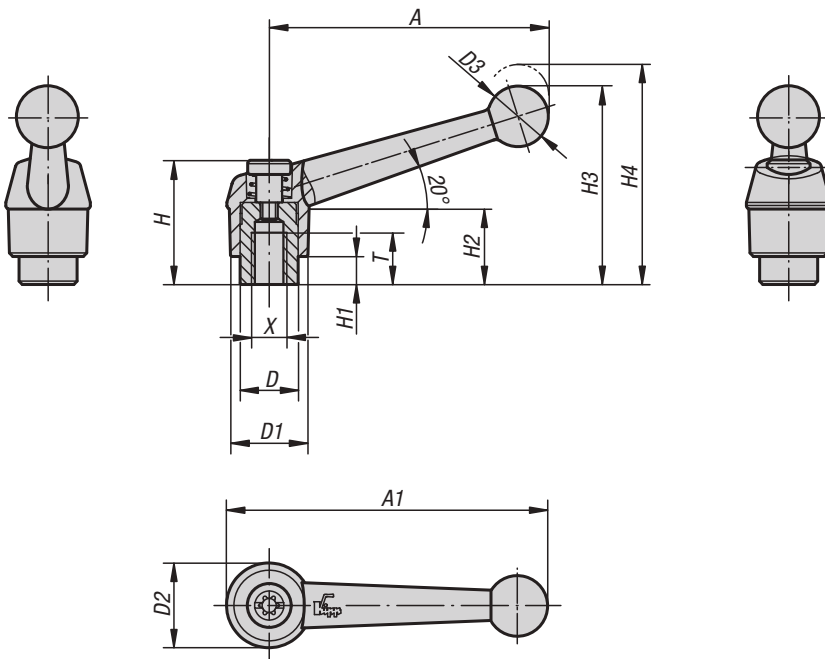
K0117.2061

**Note:**

Standard colours are:  
black satin finish, silver metallic.

**On request:**

Other internal threads, colours and special versions.  
Dimension "H1" available in other lengths at extra charge.

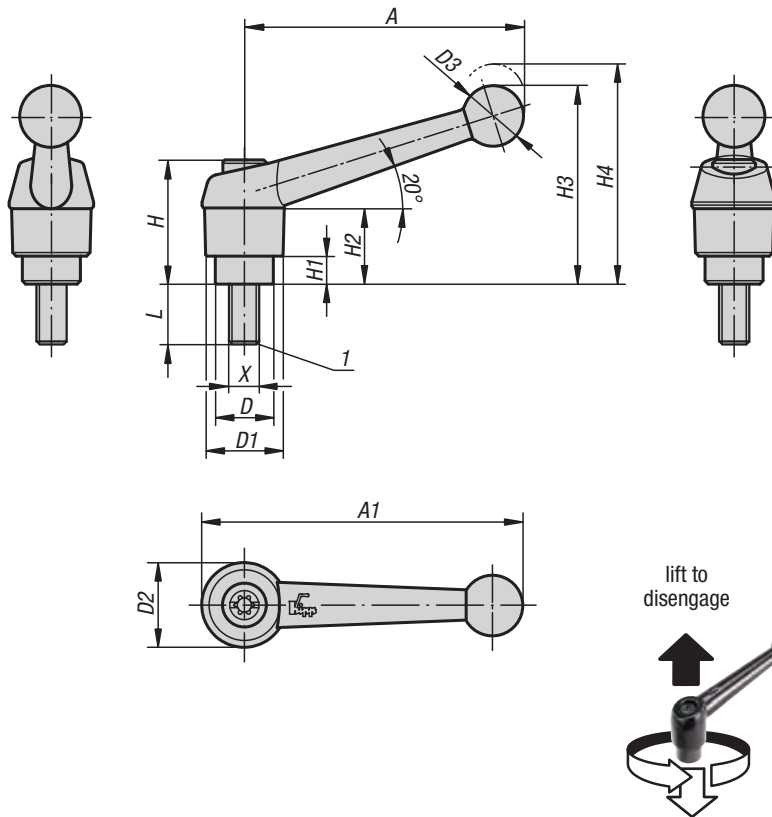


### KIPP Clamping levers with internal thread, steel parts stainless steel

Order No. Black satin finish	Order No. Silver metallic	Size	X	T	D	D1	D2	D3	H	H1	H2	H3	H4	A	A1	No. of teeth
K0117.1041	K0117.1043	1	M4	9	10	13	14	10,5	24,5	4	15	32,5	35,5	39	46	16
K0117.1051	K0117.1053	1	M5	9	10	13	14	10,5	24,5	4	15	32,5	35,5	39	46	16
K0117.1061	K0117.1063	1	M6	9	10	13	14	10,5	24,5	4	15	32,5	35,5	39	46	16
K0117.2061	K0117.2063	2	M6	12	13,5	18	18,5	15,5	28,5	6,5	16,5	45,5	49,5	64	73	20
K0117.2081	K0117.2083	2	M8	12	13,5	18	18,5	15,5	28,5	6,5	16,5	45,5	49,5	64	73	20
K0117.3081	K0117.3083	3	M8	14	16	21	22	17	37	10	23	57,5	61,5	79	90	22
K0117.3101	K0117.3103	3	M10	14	16	21	22	17	37	10	23	57,5	61,5	79	90	22
K0117.4101	K0117.4103	4	M10	17	19	25	26	19	42,5	10	26	67	72	95	108	24
K0117.4121	K0117.4123	4	M12	17	19	25	26	19	42,5	10	26	67	72	95	108	24
K0117.5121	K0117.5123	5	M12	23	23	30	31	22	49	12	32	79	84	110	126	26
K0117.5161	K0117.5163	5	M16	23	23	30	31	22	49	12	32	79	84	110	126	26

## Clamping levers

external thread, steel parts stainless steel



**Material:**

Handle die-cast zinc DIN EN 12844.  
Steel parts stainless steel 1.4305.

**Version:**

Handle plastic-coated.  
Stainless steel bright.

**Sample order:**

K0117.1051X20 (include length L)

**Note:**

Standard colours are:  
black satin finish, silver metallic.

**On request:**

Other external threads, screw lengths, colours and special versions.  
Dimension "H1" available in other lengths at extra charge.

**Drawing reference:**

1) flat point DIN 78

### KIPP Specifications

Size	X	D	D1	D2	D3	H	H1	H2	H3	H4	A	A1	No. of teeth
1	M5/M6	10	13	14	10,5	24,5	4	15	32,5	35,5	39	46	16
2	M6/M8/M10	13,5	18	18,5	15,5	28,5	6,5	16,5	45,5	49,5	64	73	20
3	M8/M10	16	21	22	17	37	10	23	57,5	61,5	79	90	22
4	M12	19	25	26	19	42,5	10	26	67	72	95	108	24
5	M16	23	30	31	22	49	12	32	79	84	110	126	26

### KIPP Clamping levers with external thread, steel parts stainless steel

Order No. Black satin finish	Order No. Silver metallic	Size	X	L
K0117.1051X	K0117.1053X	1	M5	10/15/20/25
K0117.1061X	K0117.1063X	1	M6	10/15/20/25/30/40/50
K0117.2061X	K0117.2063X	2	M6	15/20/25/30/40/50/60
K0117.2081X	K0117.2083X	2	M8	15/20/25/30/40/50/60
K0117.2101X	K0117.2103X	2	M10	20/25/30/40/50/60
K0117.3081X	K0117.3083X	3	M8	20/25/30/40/50/60
K0117.3101X	K0117.3103X	3	M10	20/25/30/40/50/60
K0117.4121X	K0117.4123X	4	M12	25/30/40/50/60
K0117.5161X	K0117.5163X	5	M16	30/40/50/60

## Clamping levers steel

internal thread



**Material:**

Handle 1.0401.

All other steel parts grade 5.8.

**Version:**

Handle painted silver-grey hammertone.

Steel parts black oxidised.

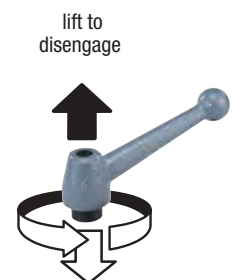
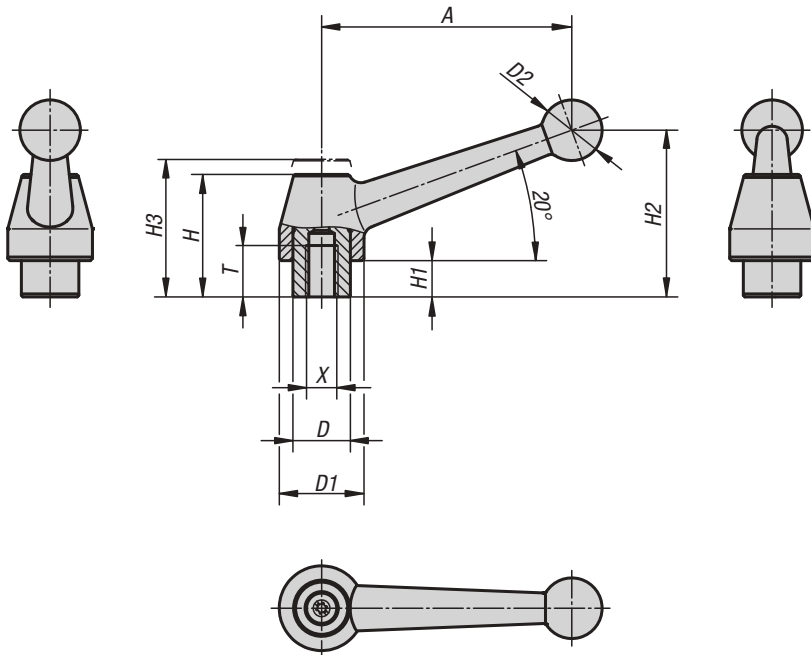
**Sample order:**

K0120.108

**On request:**

Other internal threads and special versions.

Dimension "H1" available in other lengths at extra charge.

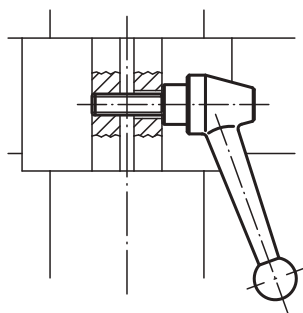
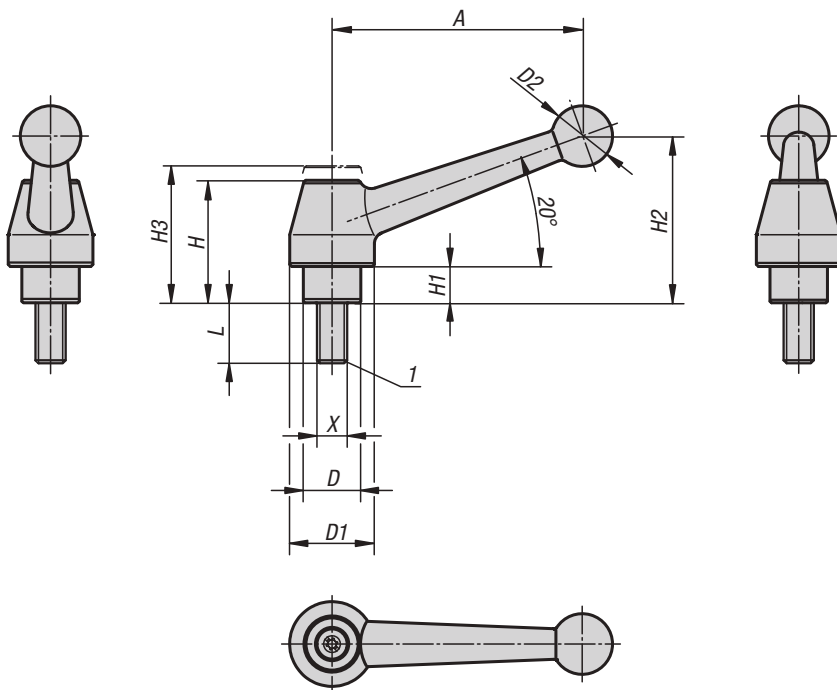


### KIPP Clamping levers with internal thread

Order No.	Main material	Size	X	T	D	D1	D2	H	H1	H2	H3	A	No. of teeth
K0120.108	steel	1	M8	17	19	28	20	41	12	54	49	83	24
K0120.110	steel	1	M10	17	19	28	20	41	12	54	49	83	24
K0120.112	steel	1	M12	17	19	28	20	41	12	54	49	83	24
K0120.212	steel	2	M12	23	23	35	25	50	12	69	56	108	26
K0120.216	steel	2	M16	23	23	35	25	50	12	69	56	108	26
K0120.316	steel	3	M16	27	30	43	30	58,5	12	78	65	132	36
K0120.320	steel	3	M20	27	30	43	30	58,5	12	78	65	132	36

## Clamping levers steel

external thread



**Material:**

Handle 1.0401.  
All other steel parts grade 5.8.

**Version:**

Handle painted silver-grey hammertone.  
Steel parts black oxidised.

**Sample order:**

K0120.110X30 (include length L)

**On request:**

Other external threads, screw lengths and special versions.  
Dimension "H1" available in other lengths at extra charge.

**Drawing reference:**

1) flat point DIN 78

lift to  
disengage



### KIPP Clamping levers with external thread

Order No.	Main material	Size	X	D	D1	D2	H	H1	H2	H3	A	No. of teeth	L
K0120.110X	steel	1	M10	19	28	20	41	12	54	49	83	24	20/25/30/35/40/45/50/55/60/70/80/90
K0120.112X	steel	1	M12	19	28	20	41	12	54	49	83	24	20/25/30/35/40/45/50/55/60/70/80/90
K0120.212X	steel	2	M12	23	35	25	50	12	69	56	108	26	25/30/35/40/45/50/55/60/70/80/90
K0120.216X	steel	2	M16	23	35	25	50	12	69	56	108	26	25/30/35/40/45/50/55/60/70/80/90
K0120.316X	steel	3	M16	30	43	30	58,5	12	78	65	132	36	30/40/50/60/70/80/90
K0120.320X	steel	3	M20	30	43	30	58,5	12	78	65	132	36	30/40/50/60/70/80/90

## Clamping levers stainless steel

internal thread



**Material:**

Handle stainless steel 1.4308.  
All other metal parts stainless steel 1.4305

**Version:**

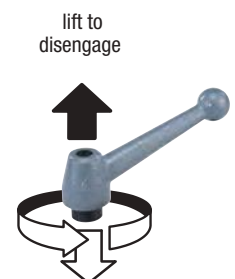
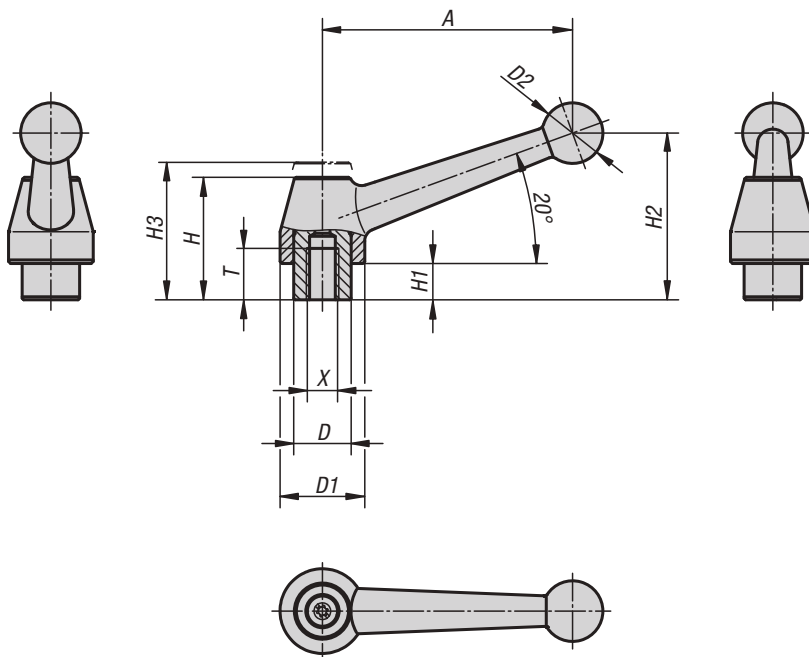
Handle stainless steel electrolytic polished.  
Steel parts bright.

**Sample order:**

K0121.1108

**On request:**

Other internal threads and special versions.  
Dimension "H1" available in other lengths at extra charge.



### KIPP Clamping levers with internal thread, stainless steel

Order No.	Main material	Size	X	T	D	D1	D2	H	H1	H2	H3	A	No. of teeth
K0121.1108	stainless steel	1	M8	17	19	28	20	41	12	54	49	83	24
K0121.1110	stainless steel	1	M10	17	19	28	20	41	12	54	49	83	24
K0121.1112	stainless steel	1	M12	17	19	28	20	41	12	54	49	83	24



## Clamping levers stainless steel

external thread



**Material:**

Handle stainless steel 1.4308.  
All other metal parts stainless steel 1.4305

**Version:**

Handle stainless steel electrolytic polished.  
Steel parts bright.

**Sample order:**

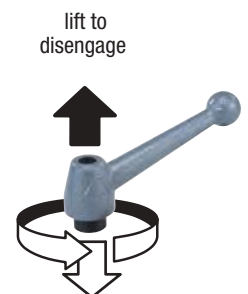
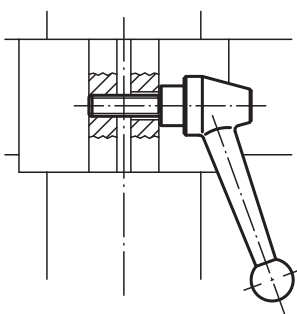
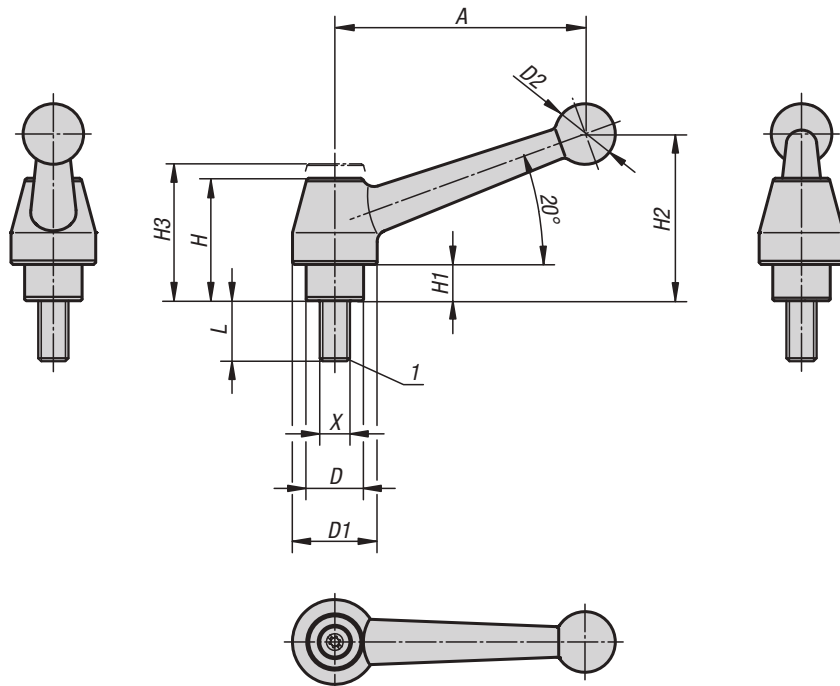
K0121.1110X30 (include length L)

**On request:**

Other external threads, screw lengths and special versions.  
Dimension "H1" available in other lengths at extra charge.

**Drawing reference:**

1) flat point DIN 78

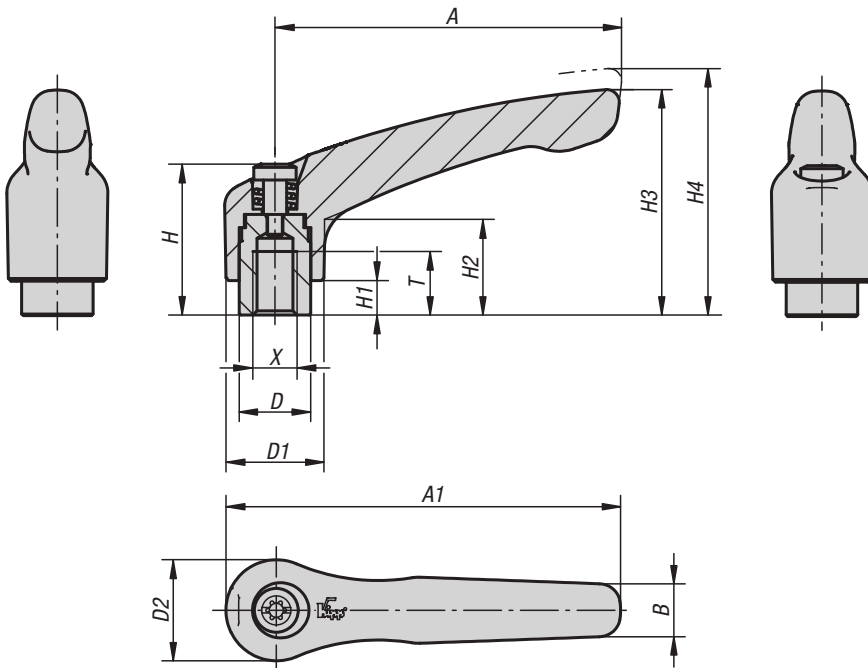


### KIPP Clamping levers with external thread, stainless steel

Order No.	Main material	Size	X	D	D1	D2	H	H1	H2	H3	A	No. of teeth	L
K0121.1110X	stainless steel	1	M10	19	28	20	41	12	54	49	83	24	25/30/40/50/60
K0121.1112X	stainless steel	1	M12	19	28	20	41	12	54	49	83	24	25/30/40/50/60

## Clamping levers steel

internal thread



**Material:**

Handle 1.0401.  
All other steel parts grade 5.8.

**Version:**

Handle plastic-coated, fine-textured structure.  
Steel parts black oxidised.

**Sample order:**

K0752.1051

**Note:**

Standard colours are:  
black or ruby red RAL 3003.

lift to  
disengage

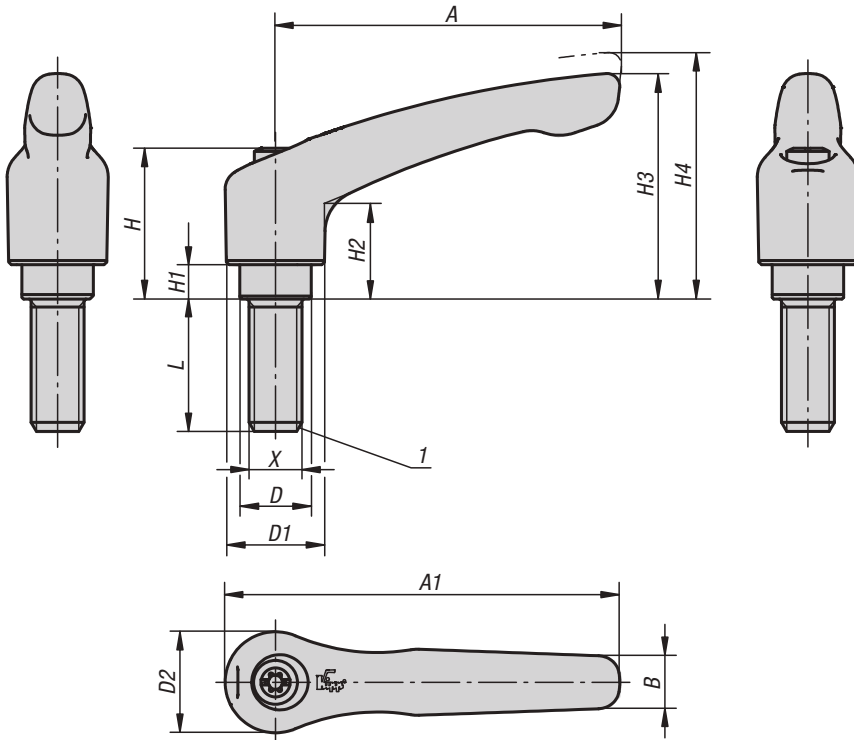


### KIPP Clamping levers with internal thread

Order No. black	Order No. red RAL 3003	Size	X	T	D	D1	D2	H	H1	H2	H3	H4	A	A1	B	No. of teeth
K0752.1041	K0752.10427	1	M4	9	10	13	14	24,5	4	14,5	31	34	40	47	7	16
K0752.1051	K0752.10527	1	M5	9	10	13	14	24,5	4	14,5	31	34	40	47	7	16
K0752.1061	K0752.10627	1	M6	9	10	13	14	24,5	4	14,5	31	34	40	47	7	16
K0752.2061	K0752.20627	2	M6	12	13,5	18,5	19	28,5	6,5	17,5	42,5	45,5	65	74,5	10	20
K0752.2081	K0752.20827	2	M8	12	13,5	18,5	19	28,5	6,5	17,5	42,5	45,5	65	74,5	10	20
K0752.3081	K0752.30827	3	M8	14	16	21	22	37	10	24	54,5	58,5	80	91	11	22
K0752.3101	K0752.31027	3	M10	14	16	21	22	37	10	24	54,5	58,5	80	91	11	22
K0752.4101	K0752.41027	4	M10	17	19	27	27,5	43	10	27	63	67,5	95	109	13	24
K0752.4121	K0752.41227	4	M12	17	19	27	27,5	43	10	27	63	67,5	95	109	13	24
K0752.5121	K0752.51227	5	M12	23	23	31	32	49	12	31,5	73	77,5	110	126	15	26
K0752.5161	K0752.51627	5	M16	23	23	31	32	49	12	31,5	73	77,5	110	126	15	26

## Clamping levers steel

external thread



**Material:**

Handle 1.0401.  
All other steel parts grade 5.8.

**Version:**

Handle plastic-coated, fine-textured structure.  
Steel parts black oxidised.

**Sample order:**

K0752.1051X20

**Note:**

Standard colours are:  
black or ruby red RAL 3003.

**Drawing reference:**

1) flat point DIN 78

lift to  
disengage



### KIPP Specifications

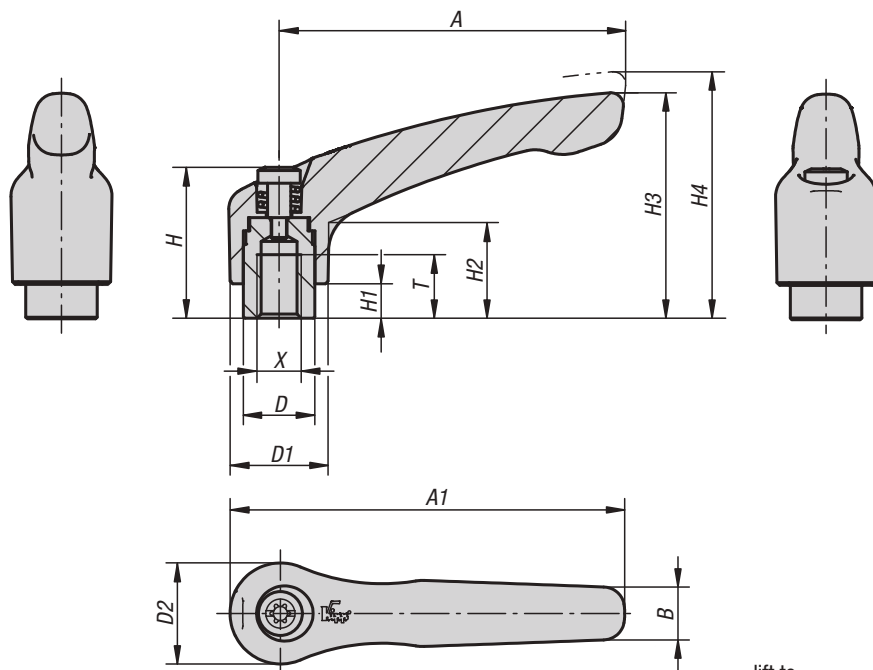
Size	X	D	D1	D2	H	H1	H2	H3	H4	A	A1	B	No. of teeth
1	M5/M6	10	13	14	24,5	4	14,5	31	34	40	47	7	16
2	M6/M8/M10	13,5	18,5	19	28,5	6,5	17,5	42,5	45,5	65	74,5	10	20
3	M8/M10	16	21	22	37	10	24	54,5	58,5	80	91	11	22
4	M10/M12	19	27	27,5	43	10	27	63	67,5	95	109	13	24
5	M12/M16	23	31	32	49	12	31,5	73	77,5	110	126	15	26

### KIPP Clamping levers with external thread

Order No. black	Order No. red RAL 3003	Size	X	L
K0752.1051X	K0752.10527X	1	M5	10/15/20/25/30/35/40/45/50
K0752.1061X	K0752.10627X	1	M6	10/15/20/25/30/35/40/45/50
K0752.2061X	K0752.20627X	2	M6	15/20/25/30/35/40/45/50/55/60
K0752.2081X	K0752.20827X	2	M8	15/20/25/30/35/40/45/50/55/60
K0752.2101X	K0752.21027X	2	M10	15/20/25/30/35/40/45/50/55/60
K0752.3081X	K0752.30827X	3	M8	15/20/25/30/35/40/45/50/55/60
K0752.3101X	K0752.31027X	3	M10	15/20/25/30/35/40/45/50/55/60
K0752.4101X	K0752.41027X	4	M10	20/25/30/35/40/45/50/55/60/70/80/90
K0752.4121X	K0752.41227X	4	M12	20/25/30/35/40/45/50/55/60/70/80/90
K0752.5121X	K0752.51227X	5	M12	25/30/35/40/45/50/55/60/70/80/90
K0752.5161X	K0752.51627X	5	M16	25/30/35/40/45/50/55/60/70/80/90

## Clamping levers

internal thread



**Material:**  
Handle die-cast zinc DIN EN 12844.  
Steel parts grade 5.8.

**Version:**  
Handle plastic-coated or high-gloss chromed.  
Steel parts black oxidised.

**Sample order:**  
K0122.1041

**Note:**  
Δ Add the desired lever colour here.  
Standard colours are:  
black satin finish, orange RAL 2004, ruby red RAL 3003, silver metallic, high gloss chromed.  
Where L ≥ 60 mm the thread length is 60 mm.

**On request:**  
Other internal threads, colours and special versions.  
Dimension "H1" available in other lengths at extra charge.

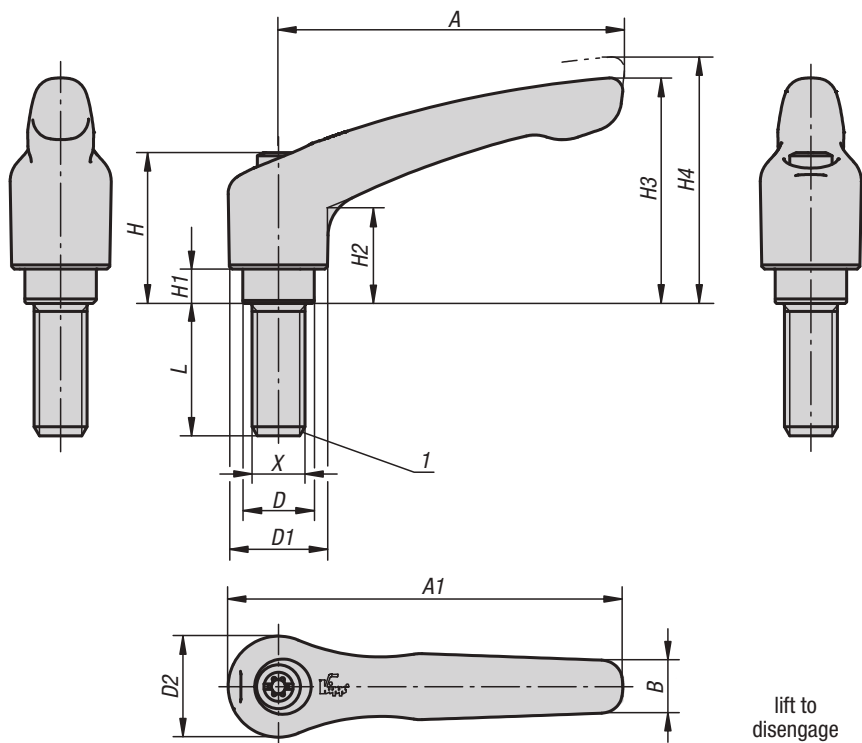


### KIPP Clamping levers with internal thread

Order No.	Size	X	T	D	D1	D2	H	H1	H2	H3	H4	A	A1	B	No. of teeth
K0122.003Δ	0	M3	9	10	13	14	24,5	4	14,5	30	33	30	37	7	16
K0122.004Δ	0	M4	9	10	13	14	24,5	4	14,5	30	33	30	37	7	16
K0122.005Δ	0	M5	9	10	13	14	24,5	4	14,5	30	33	30	37	7	16
K0122.104Δ	1	M4	9	10	13	14	24,5	4	14,5	31	34	40	47	7	16
K0122.105Δ	1	M5	9	10	13	14	24,5	4	14,5	31	34	40	47	7	16
K0122.106Δ	1	M6	9	10	13	14	24,5	4	14,5	31	34	40	47	7	16
K0122.206Δ	2	M6	12	13,5	18,5	19	28,5	6,5	17,5	42,5	45,5	65	74,5	9,5	20
K0122.208Δ	2	M8	12	13,5	18,5	19	28,5	6,5	17,5	42,5	45,5	65	74,5	9,5	20
K0122.308Δ	3	M8	14	16	21	22	37	10	24	54,5	58,5	80	91	11	22
K0122.310Δ	3	M10	14	16	21	22	37	10	24	54,5	58,5	80	91	11	22
K0122.410Δ	4	M10	17	19	27	27,5	43	10	27	63	67,5	95	109	13	24
K0122.412Δ	4	M12	17	19	27	27,5	43	10	27	63	67,5	95	109	13	24
K0122.512Δ	5	M12	23	23	31	32	49	12	31,5	73	77,5	110	126	15	26
K0122.516Δ	5	M16	23	23	31	32	49	12	31,5	73	77,5	110	126	15	26

## Clamping levers

external thread



**Material:**

Handle die-cast zinc DIN EN 12844.  
Steel parts grade 5.8.

**Version:**

Handle plastic-coated or high-gloss chromed.  
Steel parts black oxidised.

**Sample order:**

K0122.0041X10 (clamping lever, black satin finish; include length L)

**Note:**

Δ Add the desired lever colour here.  
Standard colours are:  
black satin finish, orange RAL 2004, ruby red RAL 3003, silver metallic, high gloss chromed.  
Where L ≥ 60 mm the thread length is 60 mm.

**On request:**

Other external threads, screw lengths, colours and special versions.  
Dimension "H1" available in other lengths at extra charge.

**Drawing reference:**

1) flat point DIN 78

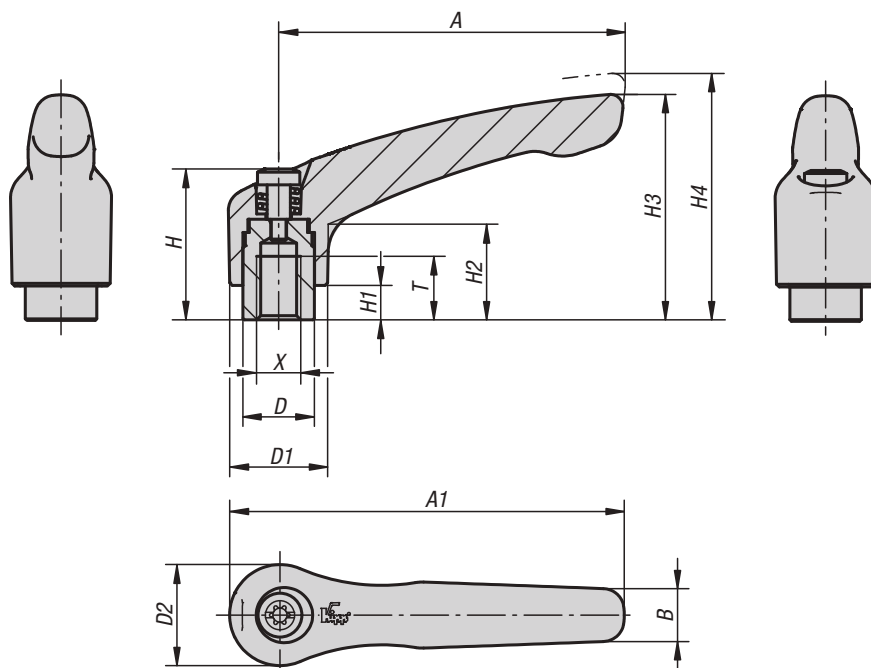


### KIPP Clamping levers with external thread

Order No.	Size	X	D	D1	D2	H	H1	H2	H3	H4	A	A1	B	L	No. of teeth
K0122.004ΔX	0	M4	10	13	14	24,5	4	14,5	30	33	30	37	7	10/15/20/25/30/35/40/45/50	16
K0122.005ΔX	0	M5	10	13	14	24,5	4	14,5	30	33	30	37	7	10/15/20/25/30/35/40/45/50	16
K0122.105ΔX	1	M5	10	13	14	24,5	4	14,5	31	34	40	47	7	10/15/20/25/30/35/40/45/50	16
K0122.106ΔX	1	M6	10	13	14	24,5	4	14,5	31	34	40	47	7	10/15/20/25/30/35/40/45/50	16
K0122.206ΔX	2	M6	13,5	18,5	19	28,5	6,5	17,5	42,5	45,5	65	74,5	9,5	15/20/25/30/35/40/45/50/55/60	20
K0122.208ΔX	2	M8	13,5	18,5	19	28,5	6,5	17,5	42,5	45,5	65	74,5	9,5	15/20/25/30/35/40/45/50/55/60	20
K0122.210ΔX	2	M10	13,5	18,5	19	28,5	6,5	17,5	42,5	45,5	65	74,5	9,5	15/20/25/30/35/40/45/50/55/60	20
K0122.308ΔX	3	M8	16	21	22	37	10	24	54,5	58,5	80	91	11	15/20/25/30/35/40/45/50/55/60	22
K0122.310ΔX	3	M10	16	21	22	37	10	24	54,5	58,5	80	91	11	15/20/25/30/35/40/45/50/55/60	22
K0122.410ΔX	4	M10	19	27	27,5	43	10	27	63	67,5	95	109	13	20/25/30/35/40/45/50/55/60/70/80/90	24
K0122.412ΔX	4	M12	19	27	27,5	43	10	27	63	67,5	95	109	13	20/25/30/35/40/45/50/55/60/70/80/90	24
K0122.512ΔX	5	M12	23	31	32	49	12	31,5	73	77,5	110	126	15	25/30/35/40/45/50/55/60/70/80/90	26
K0122.516ΔX	5	M16	23	31	32	49	12	31,5	73	77,5	110	126	15	25/30/35/40/45/50/55/60/70/80/90	26

## Clamping levers

internal thread, steel parts stainless steel



**Material:**

Handle die-cast zinc DIN EN 12844.  
Steel parts stainless steel 1.4305.

**Version:**

Handle plastic-coated or high-gloss chromed.  
Steel parts bright.

**Sample order:**

K0123.1051 (clamping lever, black satin finish)

**Note:**

Δ Add the desired lever colour here.  
Standard colours are:  
black satin finish, orange RAL 2004, ruby red RAL 3003, silver metallic, high gloss chromed.  
Where L ≥ 60 mm the thread length is 60 mm.

**On request:**

Other internal threads, colours and special versions.  
Dimension "H1" available in other lengths at extra charge.

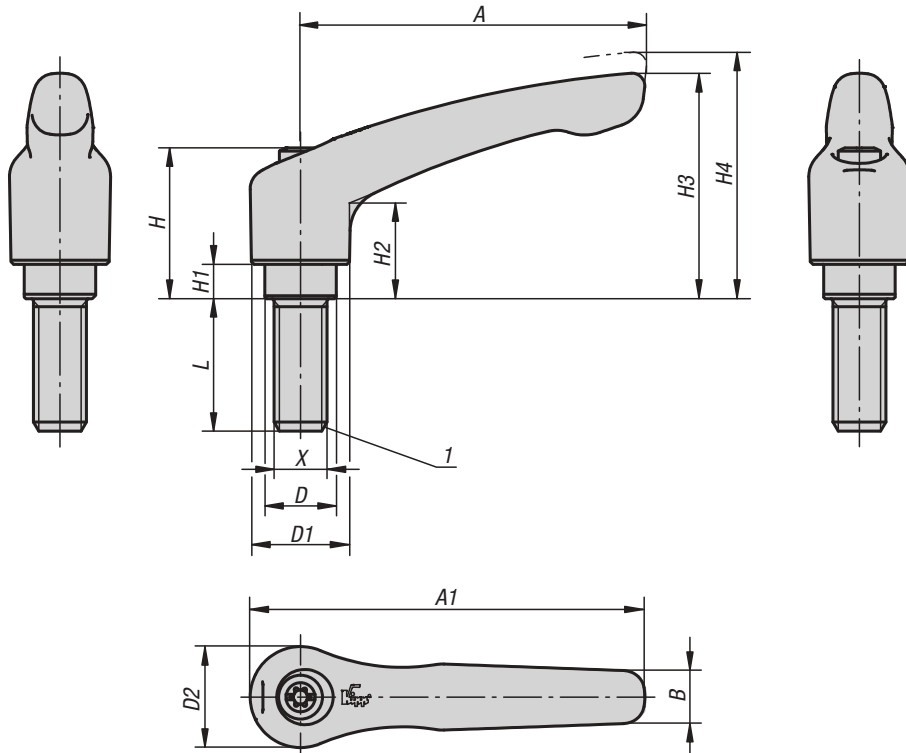


**KIPP Clamping levers with internal thread, steel parts stainless steel**

Order No.	Size	X	T	D	D1	D2	H	H1	H2	H3	H4	A	A1	B	No. of teeth
K0123.003Δ	0	M3	9	10	13	14	24,5	4	14,5	30	33	30	37	7	16
K0123.004Δ	0	M4	9	10	13	14	24,5	4	14,5	30	33	30	37	7	16
K0123.005Δ	0	M5	9	10	13	14	24,5	4	14,5	30	33	30	37	7	16
K0123.104Δ	1	M4	9	10	13	14	24,5	4	14,5	31	34	40	47	7	16
K0123.105Δ	1	M5	9	10	13	14	24,5	4	14,5	31	34	40	47	7	16
K0123.106Δ	1	M6	9	10	13	14	24,5	4	14,5	31	34	40	47	7	16
K0123.206Δ	2	M6	12	13,5	18,5	19	28,5	6,5	17,5	42,5	45,5	65	74,5	9,5	20
K0123.208Δ	2	M8	12	13,5	18,5	19	28,5	6,5	17,5	42,5	45,5	65	74,5	9,5	20
K0123.308Δ	3	M8	14	16	21	22	37	10	24	54,5	58,5	80	91	11	22
K0123.310Δ	3	M10	14	16	21	22	37	10	24	54,5	58,5	80	91	11	22
K0123.410Δ	4	M10	17	19	27	27,5	43	10	27	63	67,5	95	109	13	24
K0123.412Δ	4	M12	17	19	27	27,5	43	10	27	63	67,5	95	109	13	24
K0123.512Δ	5	M12	23	23	31	32	49	12	31,5	73	77,5	110	126	15	26
K0123.516Δ	5	M16	23	23	31	32	49	12	31,5	73	77,5	110	126	15	26

## Clamping levers

external thread, steel parts stainless steel



**Material:**

Handle die-cast zinc DIN EN 12844.  
Steel parts stainless steel 1.4305.

**Version:**

Handle plastic-coated or high-gloss chromed.  
Steel parts bright.

**Sample order:**

K0123.1051X25 (clamping lever, black satin finish; include length L)

**Note:**

Δ Add the desired lever colour here.  
Standard colours are:  
black satin finish, orange RAL 2004, ruby red RAL 3003, silver metallic, high gloss chromed.  
Where L ≥ 60 mm the thread length is 60 mm.

**On request:**

Other external threads, screw lengths, colours and special versions.  
Dimension "H1" available in other lengths at extra charge.

**Drawing reference:**

1) flat point DIN 78

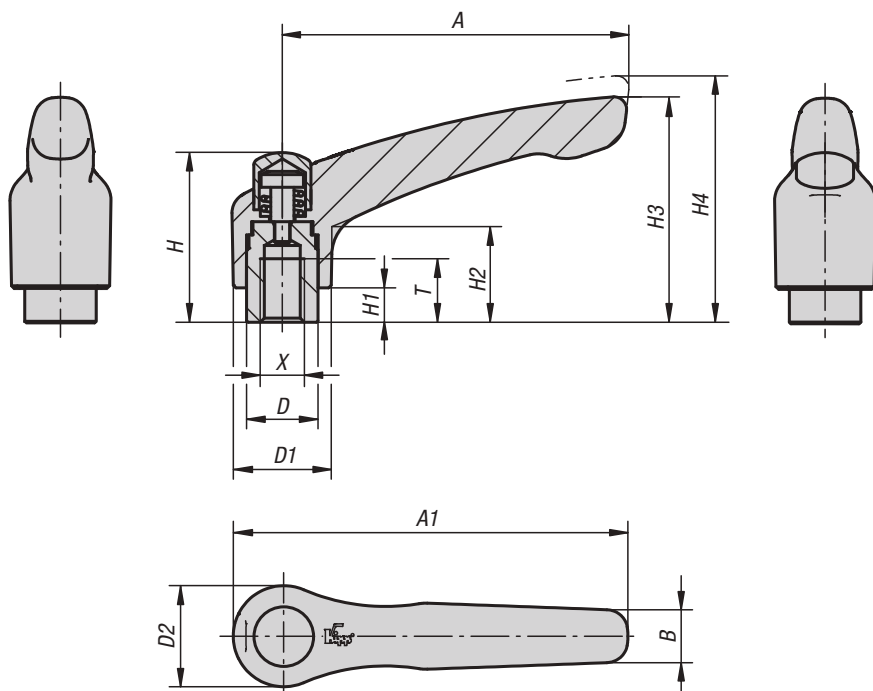


### KIPP Clamping levers with external thread, steel parts stainless steel

Order No.	Size	X	D	D1	D2	H	H1	H2	H3	H4	A	A1	B	L	No. of teeth
K0123.004ΔX	0	M4	10	13	14	24,5	4	14,5	30	33	30	37	7	10/15/20/25	16
K0123.005ΔX	0	M5	10	13	14	24,5	4	14,5	30	33	30	37	7	10/15/20/25	16
K0123.105ΔX	1	M5	10	13	14	24,5	4	14,5	31	34	40	47	7	10/15/20/25	16
K0123.106ΔX	1	M6	10	13	14	24,5	4	14,5	31	34	40	47	7	10/15/20/25/30/40/50	16
K0123.206ΔX	2	M6	13,5	18,5	19	28,5	6,5	17,5	42,5	45,5	65	74,5	9,5	15/20/25/30/40/50/60	20
K0123.208ΔX	2	M8	13,5	18,5	19	28,5	6,5	17,5	42,5	45,5	65	74,5	9,5	15/20/25/30/40/50/60	20
K0123.210ΔX	2	M10	13,5	18,5	19	28,5	6,5	17,5	42,5	45,5	65	74,5	9,5	20/25/30/40/50/60	20
K0123.308ΔX	3	M8	16	21	22	37	10	24	54,5	58,5	80	91	11	20/25/30/40/50/60	22
K0123.310ΔX	3	M10	16	21	22	37	10	24	54,5	58,5	80	91	11	20/25/30/40/50/60	22
K0123.412ΔX	4	M12	19	27	27,5	43	10	27	63	67,5	95	109	13	25/30/40/50/60	24
K0123.516ΔX	5	M16	23	31	32	49	12	31,5	73	77,5	110	126	15	30/40/50/60	26

## Clamping levers with protective cap

internal thread



**Material:**

Handle die-cast zinc DIN EN 12844.  
Steel parts grade 5.8.  
Protective cap stainless steel 1.4305.

**Version:**

Handle plastic-coated.  
Steel parts black oxidised.  
Protective cap stainless steel, bright.

**Sample order:**

K0122.92081

**Note:**

Standard colours are:  
black satin finish, orange RAL 2004.

**On request:**

Other internal threads, colours and special versions.  
Dimension "H1" available in other lengths at extra charge.



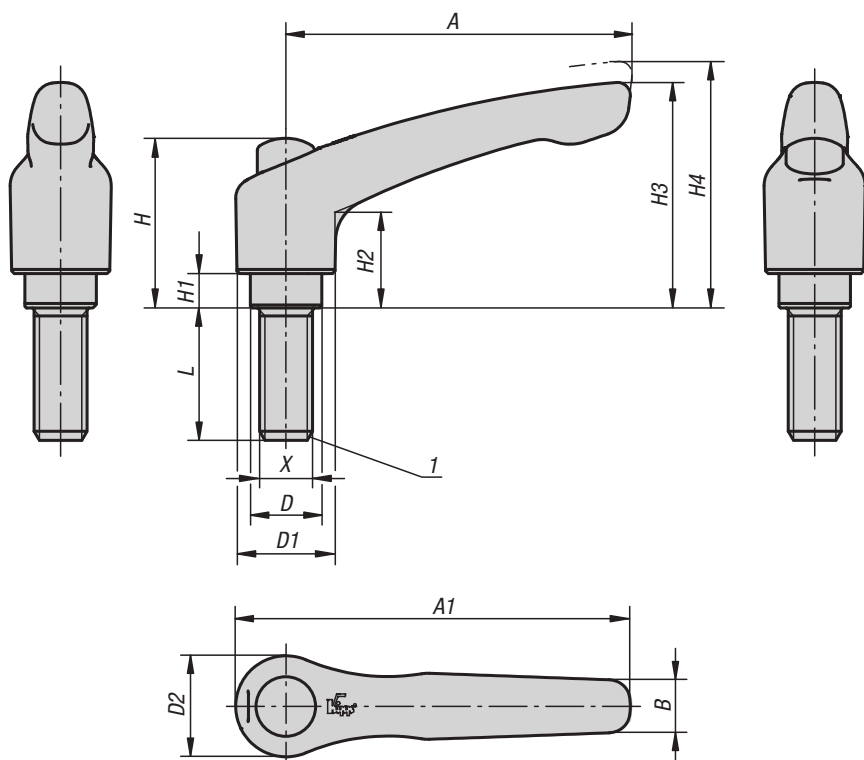
### KIPP Clamping levers with protective cap, internal thread

Order No. Black satin finish	Order No. Pure orange RAL 2004	Size	X	T	D	D1	D2	H	H1	H2	H3	H4	A	A1	B	No. of teeth
K0122.92061	K0122.92062	2	M6	12	13,5	18,5	19	32	6,5	17,5	42,5	45,5	65	74,5	9,5	20
K0122.92081	K0122.92082	2	M8	12	13,5	18,5	19	32	6,5	17,5	42,5	45,5	65	74,5	9,5	20
K0122.93081	K0122.93082	3	M8	14	16	21	22	41,5	10	24	54,5	58,5	80	91	11	22
K0122.93101	K0122.93102	3	M10	14	16	21	22	41,5	10	24	54,5	58,5	80	91	11	22



## Clamping levers with protective cap

external thread



**Material:**

Handle die-cast zinc DIN EN 12844.  
Steel parts grade 5.8.  
Protective cap stainless steel 1.4305.

**Version:**

Handle plastic-coated.  
Steel parts black oxidised.  
Protective cap stainless steel, bright.

**Sample order:**

K0122.92081X30 (include length L)

**Note:**

Standard colours are:  
black satin finish, orange RAL 2004.  
Where L is  $\geq 60$  mm the thread length is 60 mm.

**On request:**

Other external threads, screw lengths, colours and special versions.  
Dimension "H" available in other lengths at extra charge.

**Drawing reference:**

1) flat point DIN 78

lift to disengage



### KIPP Specifications

Size	X	D	D1	D2	H	H1	H2	H3	H4	A	A1	B	No. of teeth
2	M6/M8/M10	13,5	18,5	19	32	6,5	17,5	42,5	45,5	65	74,5	9,5	20
3	M8/M10	16	21	22	41,5	10	24	54,5	58,5	80	91	11	22

### KIPP Clamping levers with protective cap, external thread

Order No. Black satin finish	Order No. Pure orange RAL 2004	Size	X	L
K0122.92061X	K0122.92062X	2	M6	15/20/25/30/35/40/45/50/55/60
K0122.92081X	K0122.92082X	2	M8	15/20/25/30/35/40/45/50/55/60
K0122.92101X	K0122.92102X	2	M10	15/20/25/30/35/40/45/50/55/60
K0122.93081X	K0122.93082X	3	M8	15/20/25/30/35/40/45/50/55/60
K0122.93101X	K0122.93102X	3	M10	15/20/25/30/35/40/45/50/55/60

## Clamping levers with protective cap

internal thread, steel parts stainless steel



**Material:**

Handle die-cast zinc DIN EN 12844.  
Steel parts stainless steel 1.4305.  
Protective cap stainless steel 1.4305.

**Version:**

Handle plastic-coated.  
Steel parts bright.

**Sample order:**

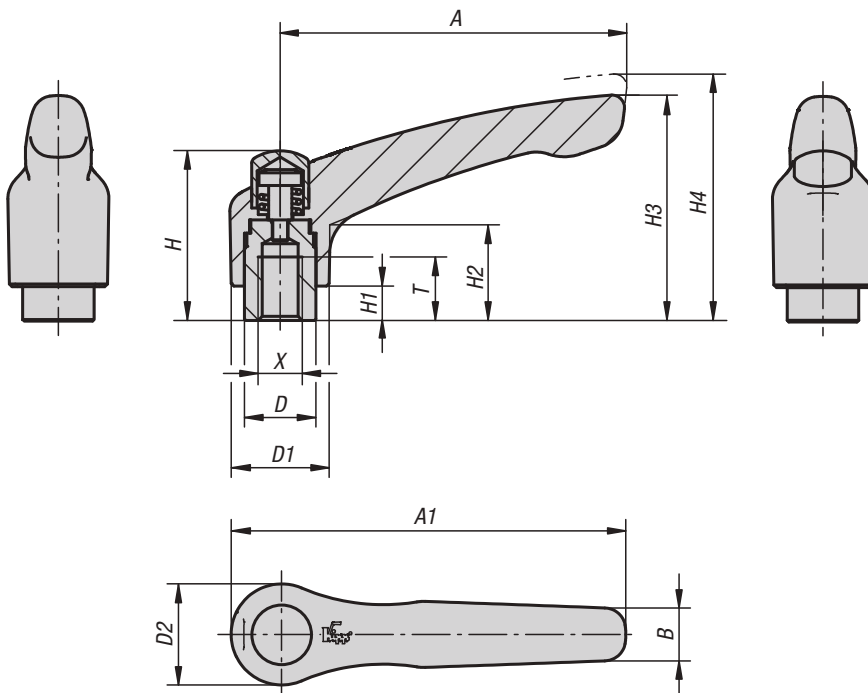
K0123.92081

**Note:**

Standard colours are:  
black satin finish, orange RAL 2004.

**On request:**

Other internal threads, colours and special versions.  
Dimension "H1" available in other lengths at extra charge.



lift to  
disengage

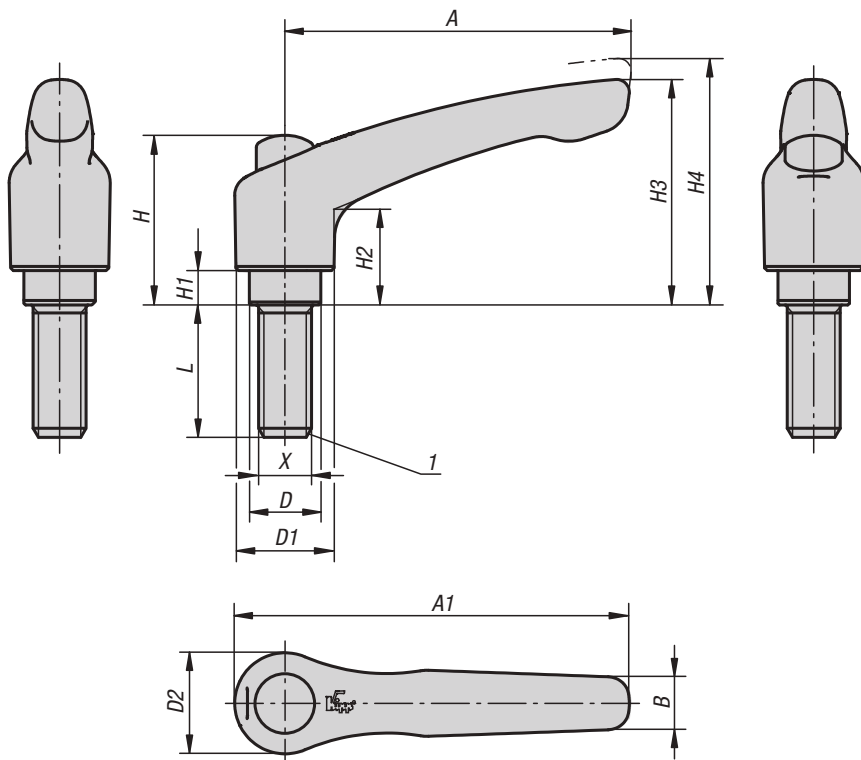


### KIPP Clamping levers with protective cap, internal thread, steel parts stainless steel

Order No. Black satin finish	Order No. Pure orange RAL 2004	Size	X	T	D	D1	D2	H	H1	H2	H3	H4	A	A1	B	No. of teeth
K0123.92061	K0123.92062	2	M6	12	13,5	18,5	19	32	6,5	17,5	42,5	45,5	65	74,5	9,5	20
K0123.92081	K0123.92082	2	M8	12	13,5	18,5	19	32	6,5	17,5	42,5	45,5	65	74,5	9,5	20
K0123.93081	K0123.93082	3	M8	14	16	21	22	41,5	10	24	54,5	58,5	80	91	11	22
K0123.93101	K0123.93102	3	M10	14	16	21	22	41,5	10	24	54,5	58,5	80	91	11	22

## Clamping levers with protective cap

external thread, steel parts stainless steel



**Material:**

Handle die-cast zinc DIN EN 12844.  
Steel parts stainless steel 1.4305.  
Protective cap stainless steel 1.4305.

**Version:**

Handle plastic-coated.  
Steel parts bright.

**Sample order:**

K0123.92081X30 (include length L)

**Note:**

Standard colours are:  
black satin finish, orange RAL 2004.

**On request:**

Other external threads, screw lengths, colours and special versions.  
Dimension "H1" available in other lengths at extra charge.

**Drawing reference:**

1) flat point DIN 78

lift to disengage



### KIPP Specifications

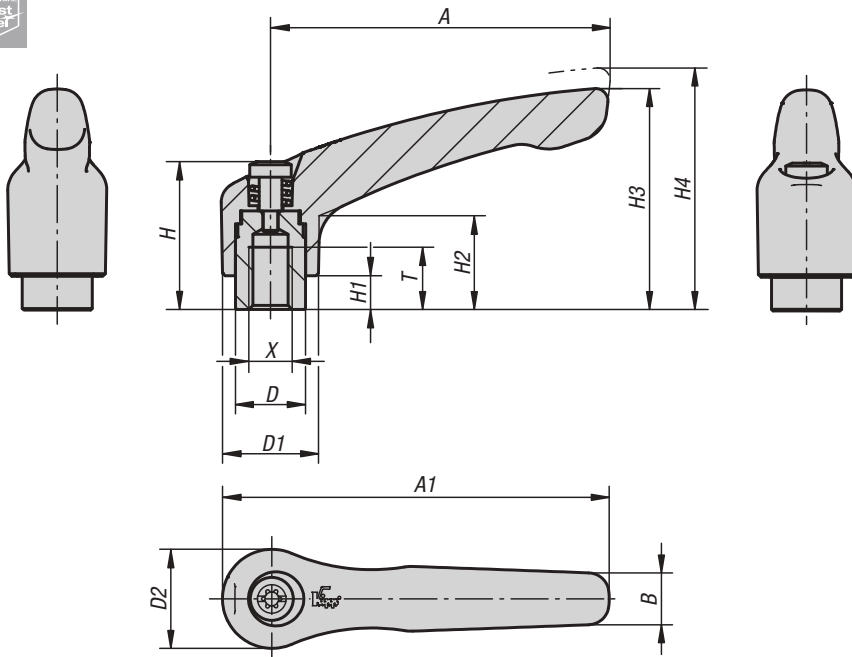
Size	X	D	D1	D2	H	H1	H2	H3	H4	A	A1	B	No. of teeth
2	M6/M8/M10	13,5	18,5	19	32	6,5	17,5	42,5	45,5	65	74,5	9,5	20
3	M8/M10	16	21	22	41,5	10	24	54,5	58,5	80	91	11	22

### KIPP Clamping levers with protective cap, external thread, steel parts stainless steel

Order No. Black satin finish	Order No. Pure orange RAL 2004	Size	X	L
K0123.92061X	K0123.92062X	2	M6	15/20/25/30/40/50/60
K0123.92081X	K0123.92082X	2	M8	15/20/25/30/40/50/60
K0123.92101X	K0123.92102X	2	M10	20/25/30/40/50/60
K0123.93081X	K0123.93082X	3	M8	20/25/30/40/50/60
K0123.93101X	K0123.93102X	3	M10	20/25/30/40/50/60

## Clamping levers

internal thread, stainless steel



**Material:**

Handle investment cast 1.4308.  
Other steel parts 1.4305.

**Version:**

Handle electropolished or blasted.  
Metal parts bright.

**Sample order:**

K0124.105

**On request:**

Other internal threads and special versions.  
Dimension "H1" available in other lengths at extra charge.

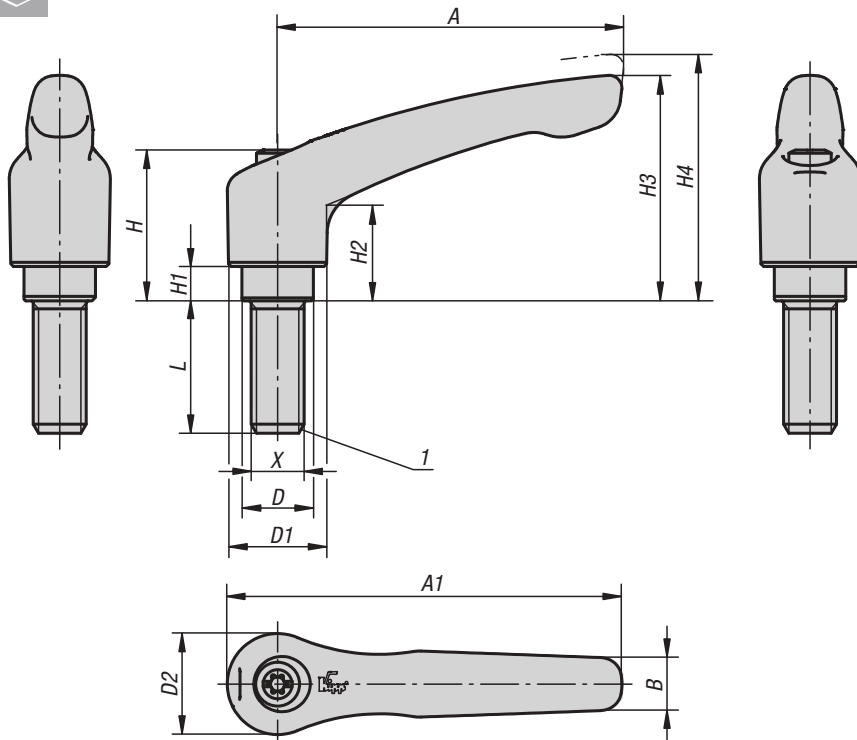


### KIPP Clamping levers with internal thread, stainless steel

Order No.	Version	Size	X	T	D	D1	D2	H	H1	H2	H3	H4	A	A1	B	No. of teeth
K0124.104	polished	1	M4	9	10	13	14	24,5	4	14,5	31	34	40	47	7	16
K0124.105	polished	1	M5	9	10	13	14	24,5	4	14,5	31	34	40	47	7	16
K0124.106	polished	1	M6	9	10	13	14	24,5	4	14,5	31	34	40	47	7	16
K0124.206	polished	2	M6	12	13,5	18,5	19	28,5	6,5	17,5	42,5	45,5	65	74,5	10	20
K0124.208	polished	2	M8	12	13,5	18,5	19	28,5	6,5	17,5	42,5	45,5	65	74,5	10	20
K0124.308	polished	3	M8	14	16	21	22	37	10	24	54,5	58,5	80	91	11	22
K0124.310	polished	3	M10	14	16	21	22	37	10	24	54,5	58,5	80	91	11	22
K0124.410	polished	4	M10	17	19	27	27,5	43	10	27	63	67,5	95	109	13	24
K0124.412	polished	4	M12	17	19	27	27,5	43	10	27	63	67,5	95	109	13	24
K0124.512	polished	5	M12	23	23	31	32	49	12	31,5	73	77,5	110	126	15	26
K0124.516	polished	5	M16	23	23	31	32	49	12	31,5	73	77,5	110	126	15	26
K0124.104153	blasted	1	M4	9	10	13	14	24,5	4	14,5	31	34	40	47	7	16
K0124.105153	blasted	1	M5	9	10	13	14	24,5	4	14,5	31	34	40	47	7	16
K0124.106153	blasted	1	M6	9	10	13	14	24,5	4	14,5	31	34	40	47	7	16
K0124.206153	blasted	2	M6	12	13,5	18,5	19	28,5	6,5	17,5	42,5	45,5	65	74,5	10	20
K0124.208153	blasted	2	M8	12	13,5	18,5	19	28,5	6,5	17,5	42,5	45,5	65	74,5	10	20
K0124.308153	blasted	3	M8	14	16	21	22	37	10	24	54,5	58,5	80	91	11	22
K0124.310153	blasted	3	M10	14	16	21	22	37	10	24	54,5	58,5	80	91	11	22
K0124.410153	blasted	4	M10	17	19	27	27,5	43	10	27	63	67,5	95	109	13	24
K0124.412153	blasted	4	M12	17	19	27	27,5	43	10	27	63	67,5	95	109	13	24
K0124.512153	blasted	5	M12	23	23	31	32	49	12	31,5	73	77,5	110	126	15	26
K0124.516153	blasted	5	M16	23	23	31	32	49	12	31,5	73	77,5	110	126	15	26

## Clamping levers

external thread, stainless steel



**Material:**

Handle investment cast 1.4308.  
Other steel parts 1.4305.

**Version:**

Handle electropolished or blasted.  
Metal parts bright.

**Sample order:**

K0124.105X10 (include length L)

**On request:**

Other external threads, screw lengths and special versions.  
Dimension "H1" available in other lengths at extra charge.

**Drawing reference:**

1) flat point DIN 78

lift to  
disengage



### KIPP Clamping levers with external thread, stainless steel

Order No.	Version	Size	X	D	D1	D2	H	H1	H2	H3	H4	A	A1	B	No. of teeth	L
K0124.105X	polished	1	M5	10	13	14	24,5	4	14,5	31	34	40	47	7	16	10/15/20/25
K0124.106X	polished	1	M6	10	13	14	24,5	4	14,5	31	34	40	47	7	16	10/15/20/25/30/40/50
K0124.206X	polished	2	M6	13,5	18,5	19	28,5	6,5	17,5	42,5	45,5	65	74,5	10	20	15/20/25/30/40/50/60
K0124.208X	polished	2	M8	13,5	18,5	19	28,5	6,5	17,5	42,5	45,5	65	74,5	10	20	15/20/25/30/40/50/60
K0124.210X	polished	2	M10	13,5	18,5	19	28,5	6,5	17,5	42,5	45,5	65	74,5	10	20	20/25/30/40/50/60
K0124.308X	polished	3	M8	16	21	22	37	10	24	54,5	58,5	80	91	11	22	20/25/30/40/50/60
K0124.310X	polished	3	M10	16	21	22	37	10	24	54,5	58,5	80	91	11	22	20/25/30/40/50/60
K0124.412X	polished	4	M12	19	27	27,5	43	10	27	63	67,5	95	109	13	24	25/30/40/50/60
K0124.516X	polished	5	M16	23	31	32	49	12	31,5	73	77,5	110	126	15	26	30/40/50/60
K0124.105153X	blasted	1	M5	10	13	14	24,5	4	14,5	31	34	40	47	7	16	10/15/20/25
K0124.106153X	blasted	1	M6	10	13	14	24,5	4	14,5	31	34	40	47	7	16	10/15/20/25/30/40/50
K0124.206153X	blasted	2	M6	13,5	18,5	19	28,5	6,5	17,5	42,5	45,5	65	74,5	10	20	15/20/25/30/40/50/60
K0124.208153X	blasted	2	M8	13,5	18,5	19	28,5	6,5	17,5	42,5	45,5	65	74,5	10	20	15/20/25/30/40/50/60
K0124.210153X	blasted	2	M10	13,5	18,5	19	28,5	6,5	17,5	42,5	45,5	65	74,5	10	20	20/25/30/40/50/60
K0124.308153X	blasted	3	M8	16	21	22	37	10	24	54,5	58,5	80	91	11	22	20/25/30/40/50/60
K0124.310153X	blasted	3	M10	16	21	22	37	10	24	54,5	58,5	80	91	11	22	20/25/30/40/50/60
K0124.412153X	blasted	4	M12	19	27	27,5	43	10	27	63	67,5	95	109	13	24	25/30/40/50/60
K0124.516153X	blasted	5	M16	23	31	32	49	12	31,5	73	77,5	110	126	15	26	30/40/50/60

## Clamping levers with protective cap

internal thread, stainless steel



**Material:**

Handle investment cast 1.4308.  
Other steel parts 1.4305.

**Version:**

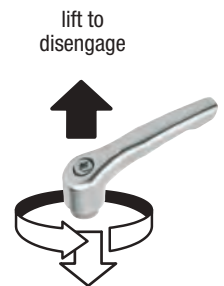
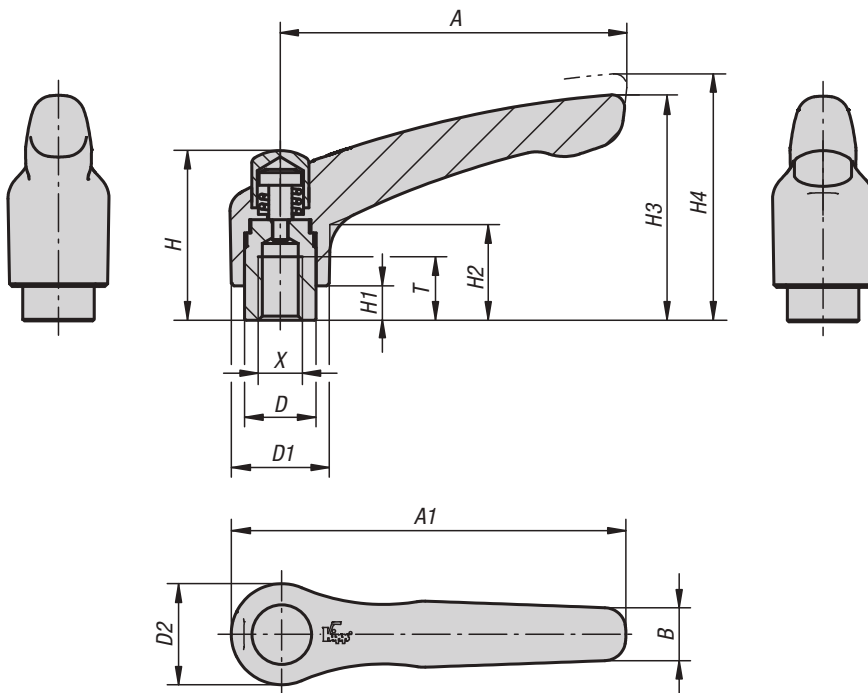
Handle electrolytic polished.  
Steel parts bright.

**Sample order:**

K0124.9208

**On request:**

Other internal threads and special versions.  
Dimension "H1" available in other lengths at extra charge.



### KIPP Clamping levers with protective cap, internal thread, stainless steel

Order No.	Size	X	T	D	D1	D2	H	H1	H2	H3	H4	A	A1	B	No. of teeth
K0124.9206	2	M6	12	13,5	18,5	19	32	6,5	17,5	42,5	45,5	65	74,5	10	20
K0124.9208	2	M8	12	13,5	18,5	19	32	6,5	17,5	42,5	45,5	65	74,5	10	20
K0124.9308	3	M8	14	16	21	22	41,5	10	24	54,5	58,5	80	91	11	22
K0124.9310	3	M10	14	16	21	22	41,5	10	24	54,5	58,5	80	91	11	22

## Clamping levers with protective cap

external thread, stainless steel



**Material:**

Handle investment cast 1.4308.  
Other steel parts 1.4305.

**Version:**

Handle electrolytic polished.  
Steel parts bright.

**Sample order:**

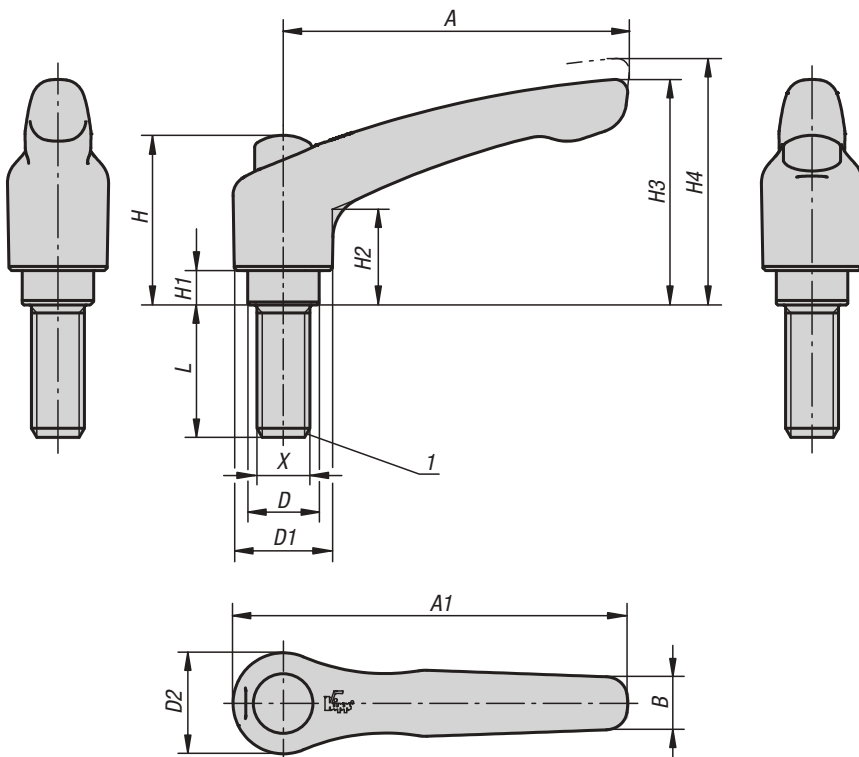
K0124.9208X30 (include length L)

**On request:**

Other external threads, screw lengths and special versions.  
Dimension "H1" available in other lengths at extra charge.

**Drawing reference:**

1) flat point DIN 78

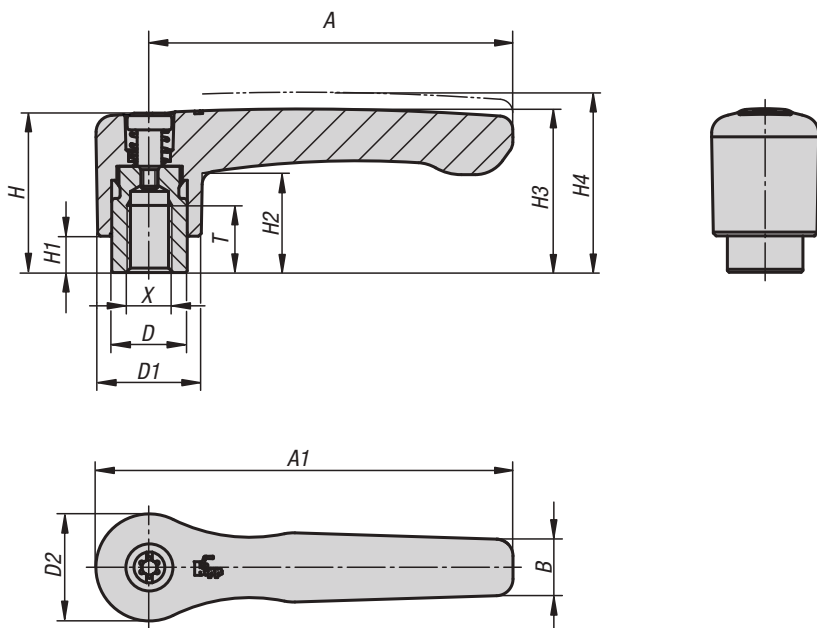


### KIPP Clamping levers with protective cap, external thread, stainless steel

Order No.	Size	X	D	D1	D2	H	H1	H2	H3	H4	A	A1	B	No. of teeth	L
K0124.9206X	2	M6	13,5	18,5	19	32	6,5	17,5	42,5	45,5	65	74,5	10	20	15/20/25/30/40/50/60
K0124.9208X	2	M8	13,5	18,5	19	32	6,5	17,5	42,5	45,5	65	74,5	10	20	15/20/25/30/40/50/60
K0124.9210X	2	M10	13,5	18,5	19	32	6,5	17,5	42,5	45,5	65	74,5	10	20	20/25/30/40/50/60
K0124.9308X	3	M8	16	21	22	41,5	10	24	54,5	58,5	80	91	11	22	20/25/30/40/50/60
K0124.9310X	3	M10	16	21	22	41,5	10	24	54,5	58,5	80	91	11	22	20/25/30/40/50/60

## Clamping levers flat

internal thread



**Material:**

Handle die-cast zinc DIN EN 12844.  
Steel parts grade 5.8.

**Version:**

Handle plastic coated.  
Steel parts black oxidised.

**Sample order:**

K0737.2061

**Note:**

Standard colours are:  
black satin finish, orange RAL 2004.

**On request:**

Other internal threads, colours and special versions.  
Dimension "H1" available in other lengths at extra charge.



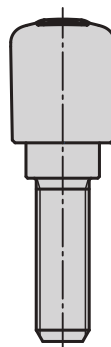
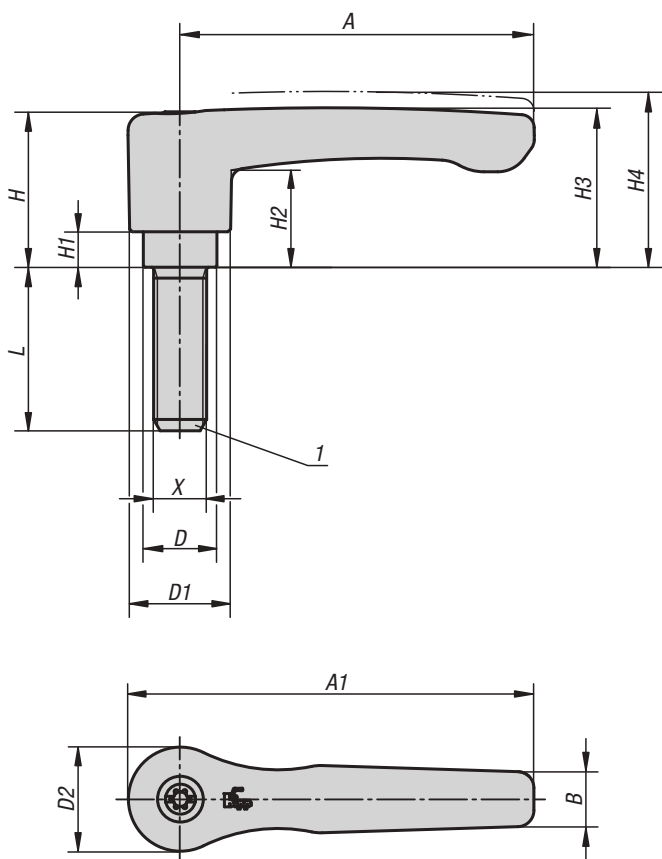
### KIPP Clamping levers flat with internal thread

Order No. Black satin finish	Order No. Pure orange RAL 2004	Size	X	T	D	D2	D2	H	H1	H2	H3	H4	A	A1	B	No. of teeth
K0737.2061	K0737.2062	2	M6	12	13,5	18,5	19,1	28,5	6,5	17,8	29,2	32,2	65	74,5	10,1	20
K0737.2081	K0737.2082	2	M8	12	13,5	18,5	19,1	28,5	6,5	17,8	29,2	32,2	65	74,5	10,1	20
K0737.3081	K0737.3082	3	M8	14	16	21,2	22	37	10	23,8	38	42	80	91	11,7	22
K0737.3101	K0737.3102	3	M10	14	16	21,2	22	37	10	23,8	38	42	80	91	11,7	22



## Clamping levers flat

external thread



**Material:**

Handle die-cast zinc DIN EN 12844.  
Steel parts grade 5.8.

**Version:**

Handle plastic coated.  
Steel parts black oxidised.

**Sample order:**

K0737.2061X15 (include length L)

**Note:**

Standard colours are:  
black satin finish, orange RAL 2004.

**On request:**

Other external threads, screw lengths, colours and special versions.  
Dimension "H1" available in other lengths at extra charge.

**Drawing reference:**

1) flat point DIN 78



### KIPP Specifications

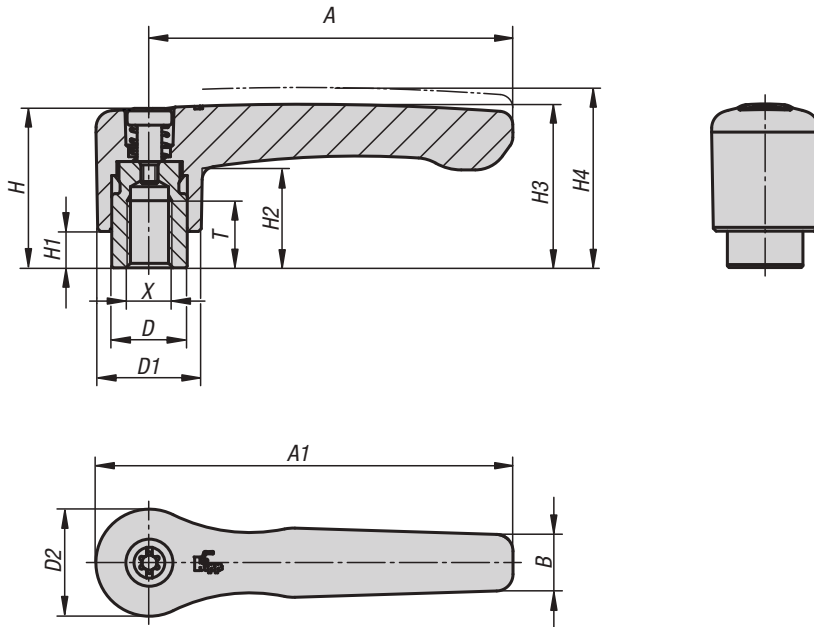
Size	X	D	D1	D2	H	H1	H2	H3	H4	A	A1	B	No. of teeth
2	M6/M8/M10	13,5	18,5	19,1	28,5	6,5	17,8	29,2	32,2	65	74,5	10,1	20
3	M8/M10	16	21,2	22	37	10	23,8	38	42	80	91	11,7	22

### KIPP Clamping levers flat with external thread

Order No. Black satin finish	Order No. Pure orange RAL 2004	Size	X	L
K0737.2061X	K0737.2062X	2	M6	15/20/25/30/35/40/45/50/55/60
K0737.2081X	K0737.2082X	2	M8	15/20/25/30/35/40/45/50/55/60
K0737.2101X	K0737.2102X	2	M10	15/20/25/30/35/40/45/50/55/60
K0737.3081X	K0737.3082X	3	M8	15/20/25/30/35/40/45/50/55/60
K0737.3101X	K0737.3102X	3	M10	15/20/25/30/35/40/45/50/55/60

## Clamping levers flat

internal thread, steel parts stainless steel



**Material:**

Handle die-cast zinc DIN EN 12844.  
Steel parts stainless steel 1.4305.

**Version:**

Handle plastic-coated.  
Steel parts bright.

**Sample order:**

K0738.2061

**Note:**

Standard colours are:  
black satin finish, orange RAL 2004.

**On request:**

Other internal threads, colours and special versions.  
Dimension "H1" available in other lengths at extra charge.

lift to  
disengage

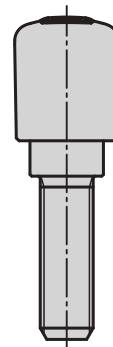
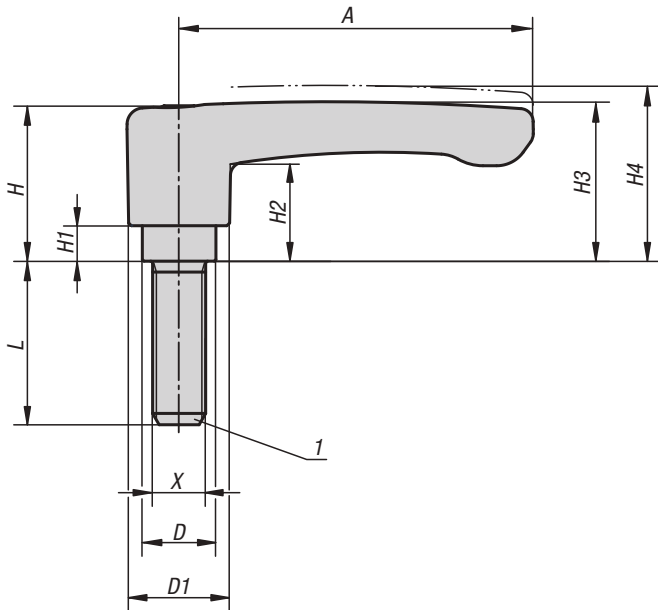


### KIPP Clamping levers flat with internal thread, stainless steel

Order No. Black satin finish	Order No. Pure orange RAL 2004	Size	X	T	D	D1	D2	H	H1	H2	H3	H4	A	A1	B	No. of teeth
K0738.2061	K0738.2062	2	M6	12	13,5	18,5	19,1	28,5	6,5	17,8	29,2	32,2	65	74,5	10,1	20
K0738.2081	K0738.2082	2	M8	12	13,5	18,5	19,1	28,5	6,5	17,8	29,2	32,2	65	74,5	10,1	20
K0738.3081	K0738.3082	3	M8	14	16	21,2	22	37	10	23,8	38	42	80	91	11,7	22
K0738.3101	K0738.3102	3	M10	14	16	21,2	22	37	10	23,8	38	42	80	91	11,7	22

## Clamping levers flat

external thread, steel parts stainless steel



**Material:**

Handle die-cast zinc DIN EN 12844.  
Steel parts stainless steel 1.4305.

**Version:**

Handle plastic-coated.  
Steel parts bright.

**Sample order:**

K0738.2061X15 (include length L)

**Note:**

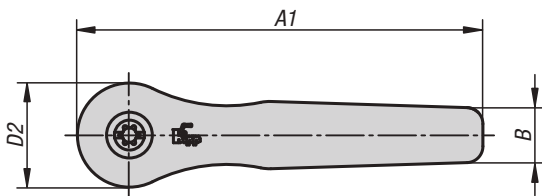
Standard colours are:  
black satin finish, orange RAL 2004.

**On request:**

Other external threads, screw lengths, colours  
and special versions.  
Dimension "H1" available in other lengths at  
extra charge.

**Drawing reference:**

1) flat point DIN 78



### KIPP Specifications

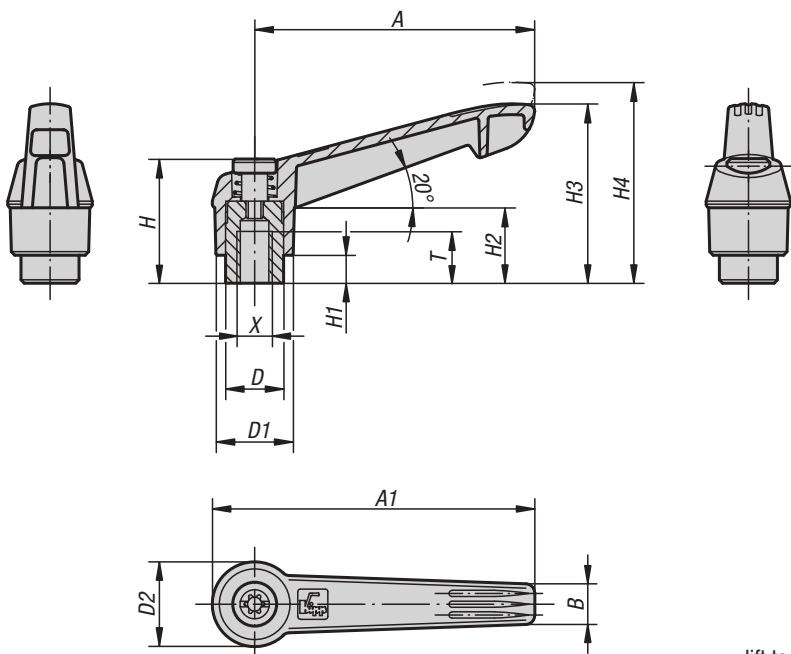
Size	X	D	D1	D2	H	H1	H2	H3	H4	A	A1	B	No. of teeth
2	M6/M8/M10	13,5	18,5	19,1	28,5	6,5	17,8	29,2	32,2	65	74,5	10,1	20
3	M8/M10	16	21,2	22	37	10	23,8	38	42	80	91	11,7	22

### KIPP Clamping levers flat with external thread, stainless steel

Order No. Black satin finish	Order No. Pure orange RAL 2004	Size	X	L
K0738.2061X	K0738.2062X	2	M6	15/20/25/30/40/50/60
K0738.2081X	K0738.2082X	2	M8	15/20/25/30/40/50/60
K0738.2101X	K0738.2102X	2	M10	20/25/30/40/50/60
K0738.3081X	K0738.3082X	3	M8	20/25/30/40/50/60
K0738.3101X	K0738.3102X	3	M10	20/25/30/40/50/60

## Clamping levers with plastic handle

internal thread



For many people the NOVO grip clamping lever represents the key to secure and comfortable gripping. This lever provides a future-oriented and powerful solution for almost any operating and clamping problem.

**Material:**

Handle fibreglass reinforced plastic with die-cast zinc toothed ring.  
Steel parts grade 5.8.

**Version:**

Steel parts black oxidised.

**Sample order:**

K0269.10486 (lever colour signal green)

**Note:**







Δ Add the desired lever colour here.

**On request:**

Other internal threads and special versions.  
Dimension "H1" available in other lengths at extra charge.

lift to disengage



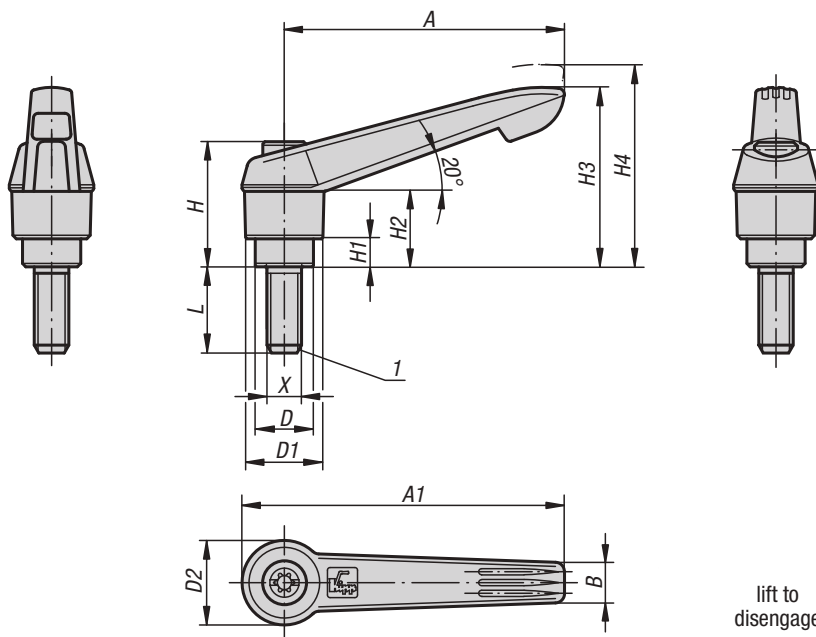
black grey Δ = 1  RAL 7021	orange Δ = 2  RAL 2004	signal green Δ = 86  RAL 6032	traffic red Δ = 84  RAL 3020	rape yellow Δ = 16  RAL 1021	traffic blue Δ = 87  RAL 5017
---	---	--	---	---	--

### KIPP Clamping levers with plastic handle, internal thread

Order No.	Size	X	T	D	D1	D2	H	H1	H2	H3	H4	A	A1	B	No. of teeth
K0269.104Δ	1	M4	9	10	13	14,5	24,5	4	15	30	33,5	40	47	7,5	16
K0269.105Δ	1	M5	9	10	13	14,5	24,5	4	15	30	33,5	40	47	7,5	16
K0269.106Δ	1	M6	9	10	13	14,5	24,5	4	15	30	33,5	40	47	7,5	16
K0269.206Δ	2	M6	12	13,5	18	19,5	28,5	6,5	17,5	41,5	45,5	65	75	9,5	20
K0269.208Δ	2	M8	12	13,5	18	19,5	28,5	6,5	17,5	41,5	45,5	65	75	9,5	20
K0269.308Δ	3	M8	14	16	21,5	23	37	10	24	53,5	58	80	91,5	11	22
K0269.310Δ	3	M10	14	16	21,5	23	37	10	24	53,5	58	80	91,5	11	22
K0269.410Δ	4	M10	17	19	25,5	27,5	43	10	26	61	66	95	109	13	24
K0269.412Δ	4	M12	17	19	25,5	27,5	43	10	26	61	66	95	109	13	24
K0269.512Δ	5	M12	23	23	30	32,5	49	12	33	72	77	110	126	15,5	26
K0269.516Δ	5	M16	23	23	30	32,5	49	12	33	72	77	110	126	15,5	26

## Clamping levers with plastic handle

external thread



For many people the NOVO grip clamping lever represents the key to secure and comfortable gripping. This lever provides a future-oriented and powerful solution for almost any operating and clamping problem.

**Material:**  
Handle fibreglass reinforced plastic with die-cast zinc toothed ring.  
Steel parts grade 5.8.

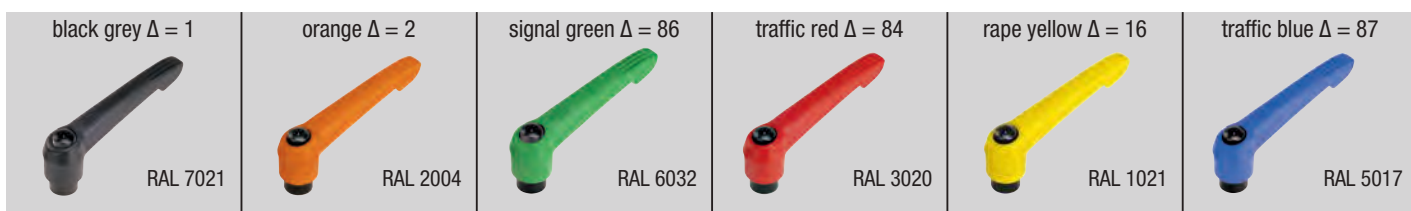
**Version:**  
Steel parts black oxidised.

**Sample order:**  
K0269.1051X40 (lever black grey; include length L)

**Note:**  
Δ Add the desired lever colour here.

**On request:**  
Other external threads, screw lengths and special versions.  
Dimension "H1" available in other lengths at extra charge.

**Drawing reference:**  
1) flat point DIN 78

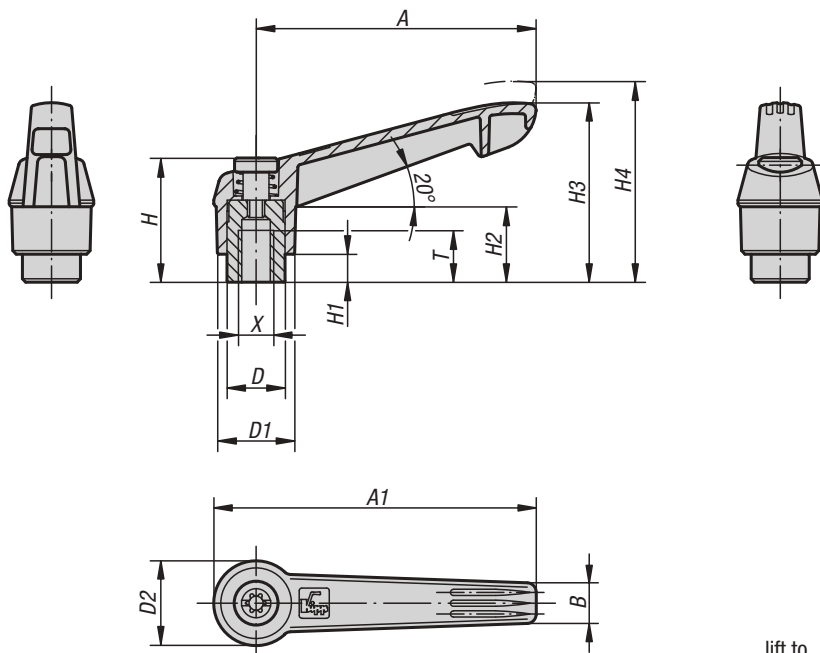


### KIPP Clamping levers with plastic handle, external thread

Order No.	Size	X	D	D1	D2	H	H1	H2	H3	H4	A	A1	B	No. of teeth	L
K0269.105ΔX	1	M5	10	13	14,5	24,5	4	15	30	33,5	40	47	7,5	16	10/15/20/25/30/35/40/45/50
K0269.106ΔX	1	M6	10	13	14,5	24,5	4	15	30	33,5	40	47	7,5	16	10/15/20/25/30/35/40/45/50
K0269.206ΔX	2	M6	13,5	18	19,5	28,5	6,5	17,5	41,5	45,5	65	75	9,5	20	15/20/25/30/35/40/45/50/55/60
K0269.208ΔX	2	M8	13,5	18	19,5	28,5	6,5	17,5	41,5	45,5	65	75	9,5	20	15/20/25/30/35/40/45/50/55/60
K0269.210ΔX	2	M10	13,5	18	19,5	28,5	6,5	17,5	41,5	45,5	65	75	9,5	20	15/20/25/30/35/40/45/50/55/60
K0269.308ΔX	3	M8	16	21,5	23	37	10	24	53,5	58	80	91,5	11	22	15/20/25/30/35/40/45/50/55/60
K0269.310ΔX	3	M10	16	21,5	23	37	10	24	53,5	58	80	91,5	11	22	15/20/25/30/35/40/45/50/55/60
K0269.410ΔX	4	M10	19	25,5	27,5	43	10	26	61	66	95	109	13	24	20/25/30/35/40/45/50/55/60/70/80/90
K0269.412ΔX	4	M12	19	25,5	27,5	43	10	26	61	66	95	109	13	24	20/25/30/35/40/45/50/55/60/70/80/90
K0269.512ΔX	5	M12	23	30	32,5	49	12	33	72	77	110	126	15,5	26	25/30/35/40/45/50/55/60/70/80/90
K0269.516ΔX	5	M16	23	30	32,5	49	12	33	72	77	110	126	15,5	26	25/30/35/40/45/50/55/60/70/80/90

## Clamping levers with plastic handle

internal thread, steel parts stainless steel



For many people the NOVO grip clamping lever represents the key to secure and comfortable gripping. This lever provides a future-oriented and powerful solution for almost any operating and clamping problem.

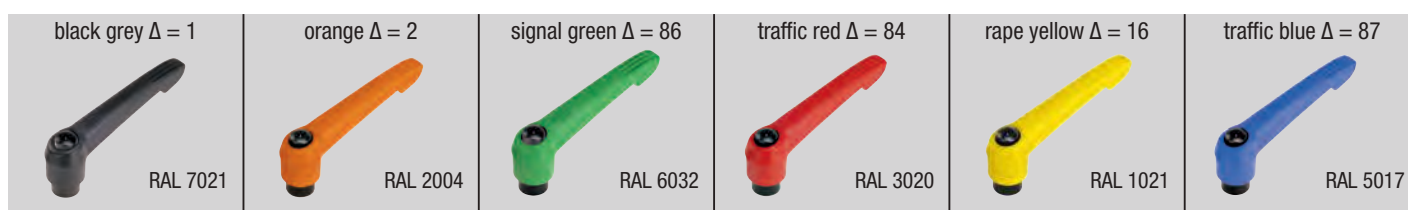
**Material:**  
Handle fibreglass reinforced plastic with die-cast zinc toothed ring.  
Steel parts stainless steel 1.4305.

**Version:**  
Steel parts bright.

**Sample order:**  
K0270.10486 (lever colour signal green)

**Note:**  
Δ Add the desired lever colour here.

**On request:**  
Other internal threads and special versions.  
Dimension "H1" available in other lengths at extra charge.

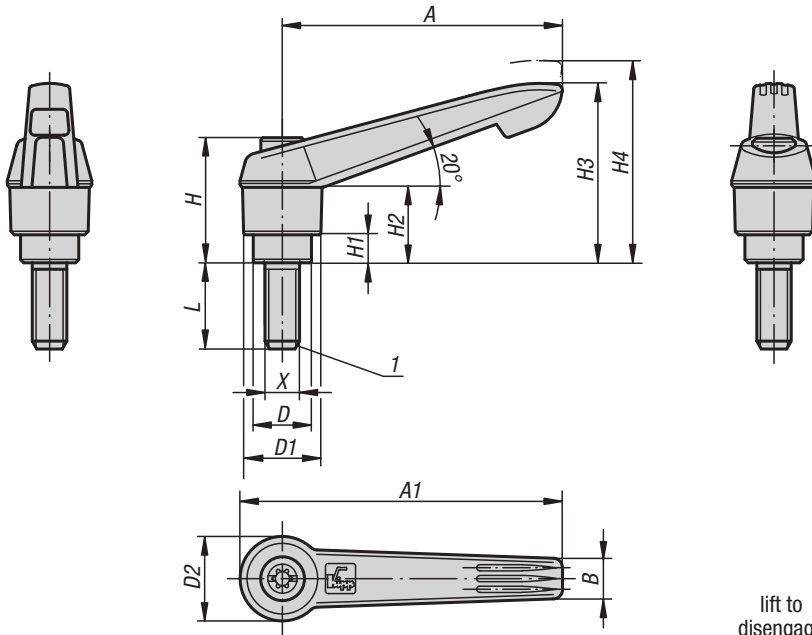


### KIPP Clamping levers with plastic handle, internal thread, metal parts stainless steel

Order No.	Size	X	T	D	D1	D2	H	H1	H2	H3	H4	A	A1	B	No. of teeth
K0270.104Δ	1	M4	9	10	13	14,5	24,5	4	15	30	33,5	40	47	7,5	16
K0270.105Δ	1	M5	9	10	13	14,5	24,5	4	15	30	33,5	40	47	7,5	16
K0270.106Δ	1	M6	9	10	13	14,5	24,5	4	15	30	33,5	40	47	7,5	16
K0270.206Δ	2	M6	12	13,5	18	19,5	28,5	6,5	17,5	41,5	45,5	65	75	9,5	20
K0270.208Δ	2	M8	12	13,5	18	19,5	28,5	6,5	17,5	41,5	45,5	65	75	9,5	20
K0270.308Δ	3	M8	14	16	21,5	23	37	10	24	53,5	58	80	91,5	11	22
K0270.310Δ	3	M10	14	16	21,5	23	37	10	24	53,5	58	80	91,5	11	22
K0270.410Δ	4	M10	17	19	25,5	27,5	43	10	26	61	66	95	109	13	24
K0270.412Δ	4	M12	17	19	25,5	27,5	43	10	26	61	66	95	109	13	24
K0270.512Δ	5	M12	23	23	30	32,5	49	12	33	72	77	110	126	15,5	26
K0270.516Δ	5	M16	23	23	30	32,5	49	12	33	72	77	110	126	15,5	26

## Clamping levers with plastic handle

external thread, steel parts stainless steel



For many people the NOVO grip clamping lever represents the key to secure and comfortable gripping. This lever provides a future-oriented and powerful solution for almost any operating and clamping problem.

**Material:**

Handle fibreglass reinforced plastic with die-cast zinc toothed ring.  
Steel parts stainless steel 1.4305.

**Version:**

Steel parts bright.

**Sample order:**

K0270.1051X20 (lever black grey; include length L)

**Note:**





Δ Add the desired lever colour here.

**On request:**

Other external threads, screw lengths and special versions.  
Dimension "H1" available in other lengths at extra charge.

**Drawing reference:**

1) flat point DIN 78

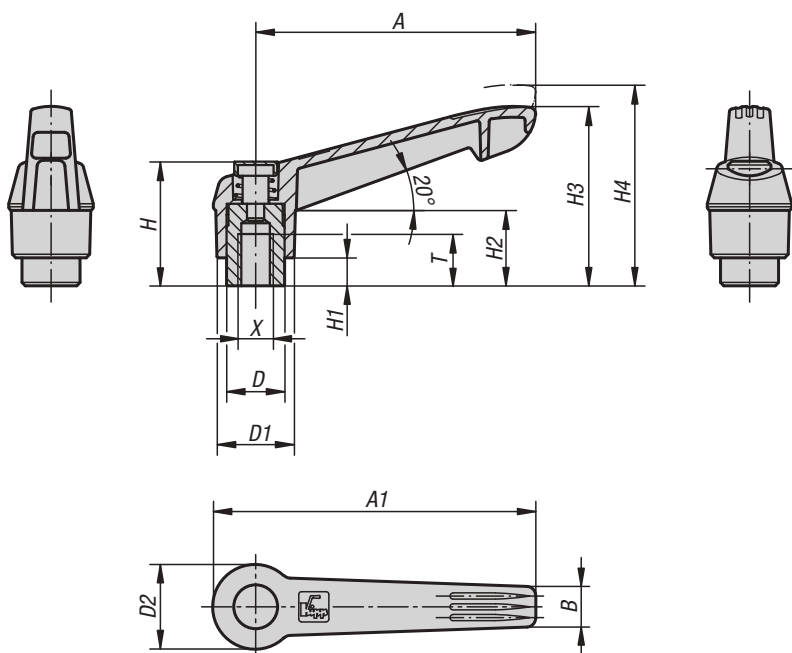
black grey Δ = 1	orange Δ = 2	signal green Δ = 86	traffic red Δ = 84	rape yellow Δ = 16	traffic blue Δ = 87
					
RAL 7021	RAL 2004	RAL 6032	RAL 3020	RAL 1021	RAL 5017

### KIPP Clamping levers with plastic handle, external thread, metal parts stainless steel

Order No.	Size	X	D	D1	D2	H	H1	H2	H3	H4	A	A1	B	No. of teeth	L
K0270.105ΔX	1	M5	10	13	14,5	24,5	4	15	30	33,5	40	47	7,5	16	10/15/20/25
K0270.106ΔX	1	M6	10	13	14,5	24,5	4	15	30	33,5	40	47	7,5	16	10/15/20/25/30/40/50
K0270.206ΔX	2	M6	13,5	18	19,5	28,5	6,5	17,5	41,5	45,5	65	75	9,5	20	15/20/25/30/40/50/60
K0270.208ΔX	2	M8	13,5	18	19,5	28,5	6,5	17,5	41,5	45,5	65	75	9,5	20	15/20/25/30/40/50/60
K0270.210ΔX	2	M10	13,5	18	19,5	28,5	6,5	17,5	41,5	45,5	65	75	9,5	20	20/25/30/40/50/60
K0270.308ΔX	3	M8	16	21,5	23	37	10	24	53,5	58	80	91,5	11	22	20/25/30/40/50/60
K0270.310ΔX	3	M10	16	21,5	23	37	10	24	53,5	58	80	91,5	11	22	20/25/30/40/50/60
K0270.412ΔX	4	M12	19	25,5	27,5	43	10	26	61	66	95	109	13	24	25/30/40/50/60
K0270.516ΔX	5	M16	23	30	32,5	49	12	33	72	77	110	126	15,5	26	30/40/50/60

## Clamping levers with push button

internal thread



**Material:**

Handle fibreglass reinforced plastic, toothed ring die-cast zinc.  
Steel parts grade 5.8.  
Push button plastic (POM).

**Version:**

Steel parts black oxidised.

**Sample order:**

K0269.71104  
(clamping lever black grey, push button traffic red)

**Note:**

Δ Enter the desired lever colour here.  
The standard colours are:  
Black grey clamping lever, traffic red push button.  
Orange clamping lever, black grey push button.  
Traffic red clamping lever, black grey push button.

**On request:**

Other internal threads and special versions.  
Dimension "H1" available in other lengths at extra charge.



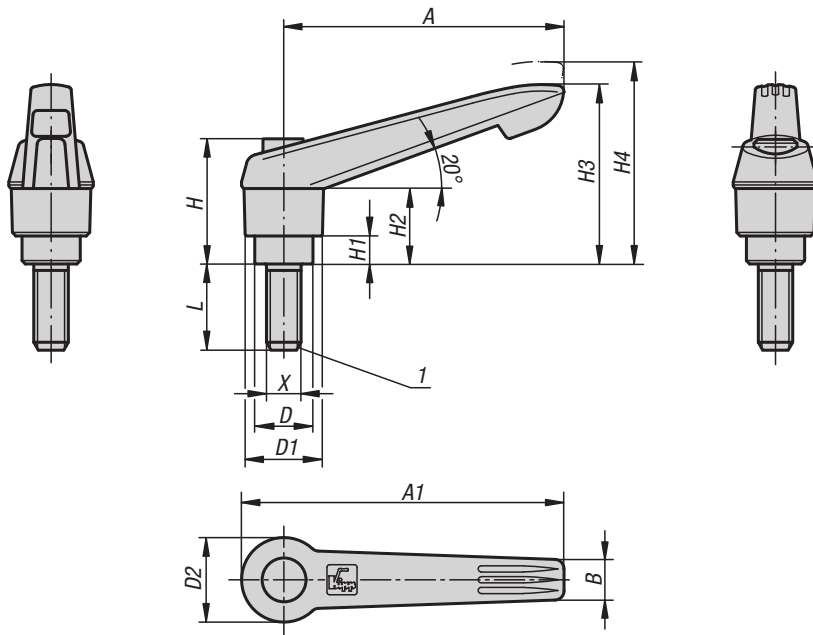
**KIPP Clamping levers with push button, internal thread**

Order No.	Size	X	T	D	D1	D2	H	H1	H2	H3	H4	A	A1	B	No. of teeth
K0269.7Δ104	1	M4	9	10	13	14,5	25,5	4	15	30	33,5	40	47	7,5	16
K0269.7Δ105	1	M5	9	10	13	14,5	25,5	4	15	30	33,5	40	47	7,5	16
K0269.7Δ106	1	M6	9	10	13	14,5	25,5	4	15	30	33,5	40	47	7,5	16
K0269.7Δ206	2	M6	12	13,5	18	19,5	29,5	6,5	17,5	41,5	45,5	65	75	9,5	20
K0269.7Δ208	2	M8	12	13,5	18	19,5	29,5	6,5	17,5	41,5	45,5	65	75	9,5	20
K0269.7Δ308	3	M8	14	16	21,5	23	38,5	10	24	53,5	58	80	91,5	11	22
K0269.7Δ310	3	M10	14	16	21,5	23	38,5	10	24	53,5	58	80	91,5	11	22
K0269.7Δ410	4	M10	17	19	25,5	27,5	44,6	10	26	61	66	95	109	13	24
K0269.7Δ412	4	M12	17	19	25,5	27,5	44,6	10	26	61	66	95	109	13	24
K0269.7Δ512	5	M12	23	23	30	32,5	50,6	12	33	72	77	110	126	15,5	26
K0269.7Δ516	5	M16	23	23	30	32,5	50,6	12	33	72	77	110	126	15,5	26



## Clamping levers with push button

external thread



**Material:**

Handle fibreglass reinforced plastic, toothed ring die-cast zinc.  
Steel parts grade 5.8.  
Push button plastic (POM).

**Version:**

Steel parts black oxidised.

**Sample order:**

K0269.71105X10  
(clamping lever black grey, push button traffic red.  
Include length L)

**Note:**

Δ Enter the desired lever colour here.  
The standard colours are:  
Black grey clamping lever, traffic red push button.  
Orange clamping lever, black grey push button.  
Traffic red clamping lever, black grey push button.

**On request:**

Other external threads, screw lengths and special versions.  
Dimension "H1" available in other lengths at extra charge.

**Drawing reference:**

1) flat point DIN 78

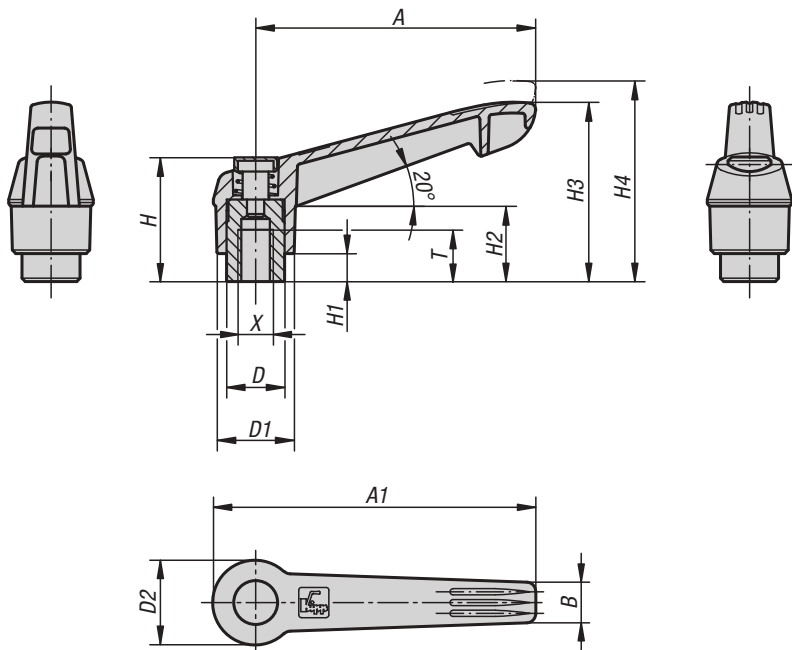


**KIPP Clamping lever with push button, external thread**

Order No.	Size	X	D	D1	D2	H	H1	H2	H3	H4	A	A1	B	No. of teeth	L
K0269.7Δ105X	1	M5	10	13	14,5	25,5	4	15	30	33,5	40	47	7,5	16	10/15/20/25/30/35/40/45/50
K0269.7Δ106X	1	M6	10	13	14,5	25,5	4	15	30	33,5	40	47	7,5	16	10/15/20/25/30/35/40/45/50
K0269.7Δ206X	2	M6	13,5	18	19,5	29,5	6,5	17,5	41,5	45,5	65	75	9,5	20	15/20/25/30/35/40/45/50/55/60
K0269.7Δ208X	2	M8	13,5	18	19,5	29,5	6,5	17,5	41,5	45,5	65	75	9,5	20	15/20/25/30/35/40/45/50/55/60
K0269.7Δ210X	2	M10	13,5	18	19,5	29,5	6,5	17,5	41,5	45,5	65	75	9,5	20	15/20/25/30/35/40/45/50/55/60
K0269.7Δ308X	3	M8	16	21,5	23	38,5	10	24	53,5	58	80	91,5	11	22	15/20/25/30/35/40/45/50/55/60
K0269.7Δ310X	3	M10	16	21,5	23	38,5	10	24	53,5	58	80	91,5	11	22	15/20/25/30/35/40/45/50/55/60
K0269.7Δ410X	4	M10	19	25,5	27,5	44,6	10	26	61	66	95	109	13	24	20/25/30/35/40/45/50/55/60/70/80/90
K0269.7Δ412X	4	M12	19	25,5	27,5	44,6	10	26	61	66	95	109	13	24	20/25/30/35/40/45/50/55/60/70/80/90
K0269.7Δ512X	5	M12	23	30	32,5	50,6	12	33	72	77	110	126	15,5	26	25/30/35/40/45/50/55/60/70/80/90
K0269.7Δ516X	5	M16	23	30	32,5	50,6	12	33	72	77	110	126	15,5	26	25/30/35/40/45/50/55/60/70/80/90

## Clamping levers with push button

internal thread, metal parts stainless-steel



**Material:**

Handle fibreglass reinforced plastic, toothed ring die-cast zinc.

Metal parts stainless steel 1.4305.

Push button plastic (POM).

**Version:**

Steel parts bright.

**Sample order:**

K0270.71104

(clamping lever black grey, push button traffic red)

**Note:**

Δ Enter the desired lever colour here.

The standard colours are:

Black grey clamping lever, traffic red push button.

Orange clamping lever, black grey push button.

Traffic red clamping lever, black grey push button.

**On request:**

Other internal threads and special versions.

Dimension "H1" available in other lengths at extra charge.

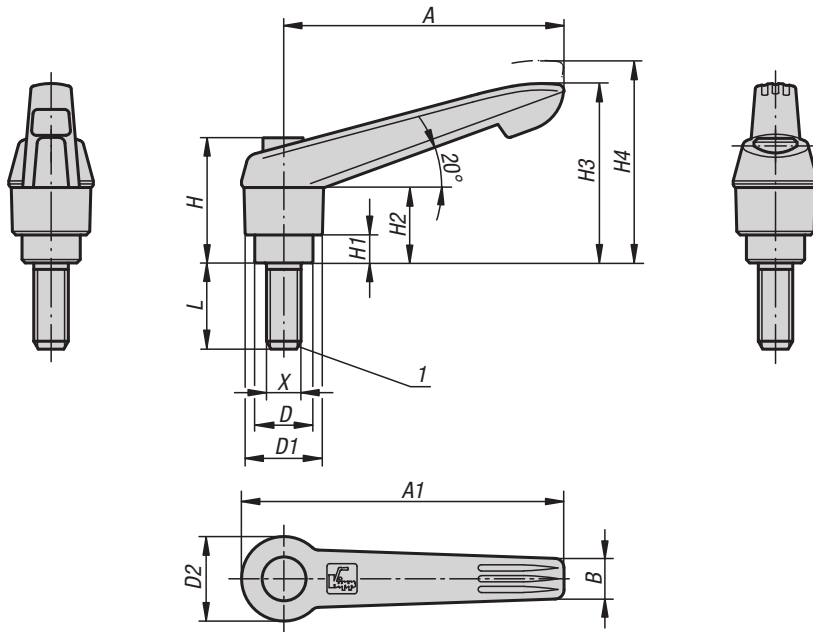


**KIPP Clamping levers with push button, internal thread, metal parts stainless steel**

Order No.	Size	X	T	D	D1	D2	H	H1	H2	H3	H4	A	A1	B	No. of teeth
K0270.7Δ104	1	M4	9	10	13	14,5	25,5	4	15	30	33,5	40	47	7,5	16
K0270.7Δ105	1	M5	9	10	13	14,5	25,5	4	15	30	33,5	40	47	7,5	16
K0270.7Δ106	1	M6	9	10	13	14,5	25,5	4	15	30	33,5	40	47	7,5	16
K0270.7Δ206	2	M6	12	13,5	18	19,5	29,5	6,5	17,5	41,5	45,5	65	75	9,5	20
K0270.7Δ208	2	M8	12	13,5	18	19,5	29,5	6,5	17,5	41,5	45,5	65	75	9,5	20
K0270.7Δ308	3	M8	14	16	21,5	23	38,5	10	24	53,5	58	80	91,5	11	22
K0270.7Δ310	3	M10	14	16	21,5	23	38,5	10	24	53,5	58	80	91,5	11	22
K0270.7Δ410	4	M10	17	19	25,5	27,5	44,6	10	26	61	66	95	109	13	24
K0270.7Δ412	4	M12	17	19	25,5	27,5	44,6	10	26	61	66	95	109	13	24
K0270.7Δ512	5	M12	23	23	30	32,5	50,6	12	33	72	77	110	126	15,5	26
K0270.7Δ516	5	M16	23	23	30	32,5	50,6	12	33	72	77	110	126	15,5	26

## Clamping lever with push button

external thread, metal parts stainless-steel



**Material:**

Handle fibreglass reinforced plastic, toothed ring die-cast zinc.  
Metal parts stainless steel 1.4305.  
Push button plastic (POM).

**Version:**

Steel parts bright.

**Sample order:**

K0270.71105X10  
(Clamping lever black grey, push button traffic red.  
Include length L)

**Note:**

Δ Enter the desired lever colour here.  
The standard colours are:  
Black grey clamping lever, traffic red push button.  
Orange clamping lever, black grey push button.  
Traffic red clamping lever, black grey push button.

**On request:**

Other external threads, screw lengths and special versions.  
Dimension "H1" available in other lengths at extra charge.

**Drawing reference:**

1) flat point DIN 78



### KIPP Clamping levers with push button, external thread, metal parts stainless steel

Order No.	Size	X	D	D1	D2	H	H1	H2	H3	H4	A	A1	B	No. of teeth	L
K0270.7Δ105X	1	M5	10	13	14,5	25,5	4	15	30	33,5	40	47	7,5	16	10/15/20/25
K0270.7Δ106X	1	M6	10	13	14,5	25,5	4	15	30	33,5	40	47	7,5	16	10/15/20/25/30/40/50
K0270.7Δ206X	2	M6	13,5	18	19,5	29,5	6,5	17,5	41,5	45,5	65	75	9,5	20	15/20/25/30/40/50/60
K0270.7Δ208X	2	M8	13,5	18	19,5	29,5	6,5	17,5	41,5	45,5	65	75	9,5	20	15/20/25/30/40/50/60
K0270.7Δ210X	2	M10	13,5	18	19,5	29,5	6,5	17,5	41,5	45,5	65	75	9,5	20	20/25/30/40/50/60
K0270.7Δ308X	3	M8	16	21,5	23	38,5	10	24	53,5	58	80	91,5	11	22	20/25/30/40/50/60
K0270.7Δ310X	3	M10	16	21,5	23	38,5	10	24	53,5	58	80	91,5	11	22	20/25/30/40/50/60
K0270.7Δ412X	4	M12	19	25,5	27,5	44,6	10	26	61	66	95	109	13	24	25/30/40/50/60
K0270.7Δ516X	5	M16	23	30	32,5	50,6	12	33	72	77	110	126	15,5	26	30/40/50/60

# Clamping levers antistatic

internal thread, plastic grip



**Material:**

Handles reinforced plastic, toothed ring die-cast zinc. Steel parts grade 5.8.

**Version:**

Steel parts black oxidised, handles graphite black.

**Sample order:**

K0269.1120624

**Application:**

Sensitive electrical or electronic equipment, components and devices (ESD sensitive elements) may be damaged or destroyed by electrostatic discharges (ESD) in the immediate vicinity. Electrostatic discharges can come from people or through handling ESD sensitive components (e.g. during production, assembly, transport, storage etc). Electrically conductive products which conform to DIN EN 61340-5-1 are essential within electronic environments to prevent an electrostatic discharge. These products can be used for ESD applications or in ESD protection areas (EPA) in accordance with DIN EN 61340-5-1.

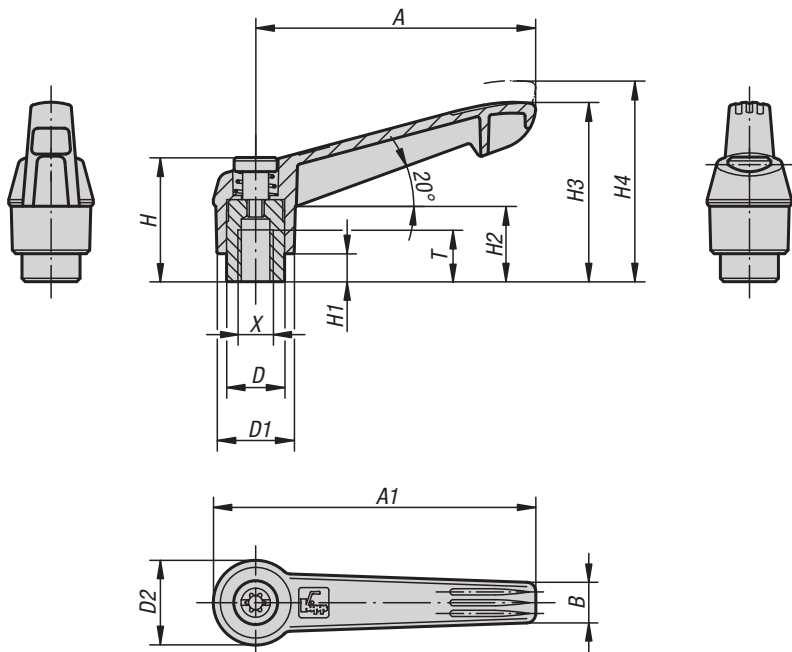
The yellow ESD logo is printed on the side of the product to clearly identify it.

**Safety:**

These ESD products can also be used for devices, components and protection systems in areas with high risk of explosion. Use of these ESD products prevents the occurrence of electrostatic spark discharges, eliminating the potential ignition of gases and dusts which could lead to explosions in enclosed spaces. Manufacturers and operators must use and conform to ATEX directives for the protection of persons working in areas with high risk of explosion. These ESD products are certified by TÜV-Süd in relation to their electrical discharge capability.

**Target groups:**

Device manufacturers required to conform to ATEX product directive 2014/34/EU. Operators required to conform to ATEX worker protection directive 1999/92/EC.



lift to disengage

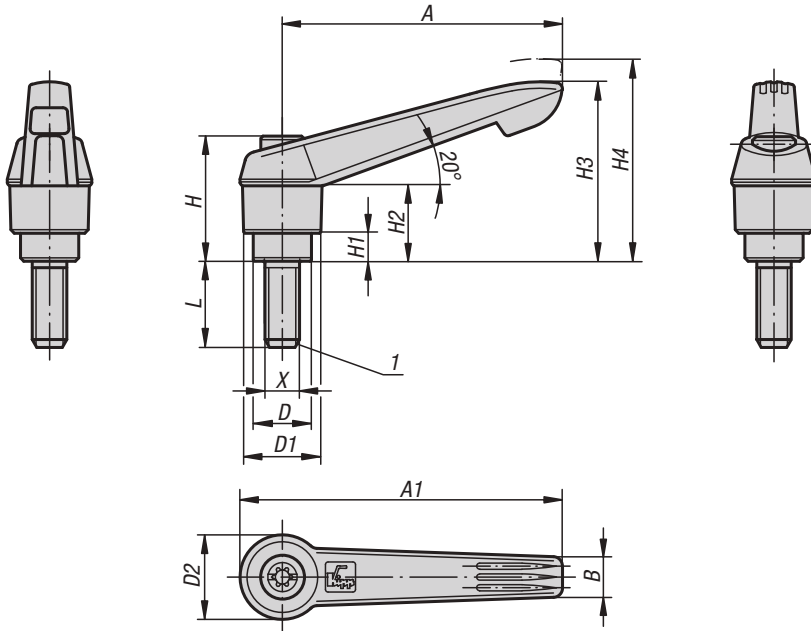


**KIPP Clamping levers antistatic, internal thread, plastic grip**

Order No.	Main colour	Size	X	T	D	D1	D2	H	H1	H2	H3	H4	A	A1	B	No. of teeth
K0269.1120624	Graphite black RAL 9011	2	M6	12	13,5	18	19,5	28,5	6,5	17,5	41,5	45,5	65	75	9,5	20
K0269.1120824	Graphite black RAL 9011	2	M8	12	13,5	18	19,5	28,5	6,5	17,5	41,5	45,5	65	75	9,5	20

# Clamping levers antistatic

external thread, plastic grip



**Material:**

Handles reinforced plastic, toothed ring die-cast zinc. Steel parts grade 5.8.

**Version:**

Steel parts black oxidised, handles graphite black.

**Sample order:**

K0269.1120624X20

**Application:**

Sensitive electrical or electronic equipment, components and devices (ESD sensitive elements) may be damaged or destroyed by electrostatic discharges (ESD) in the immediate vicinity.

Electrostatic discharges can come from people or through handling ESD sensitive components (e.g. during production, assembly, transport, storage etc). Electrically conductive products which conform to DIN EN 61340-5-1 are essential within electronic environments to prevent an electrostatic discharge.

These products can be used for ESD applications or in ESD protection areas (EPA) in accordance with DIN EN 61340-5-1.

The yellow ESD logo is printed on the side of the product to clearly identify it.

**Safety:**

These ESD products can also be used for devices, components and protection systems in areas with high risk of explosion.

Use of these ESD products prevents the occurrence of electrostatic spark discharges, eliminating the potential ignition of gases and dusts which could lead to explosions in enclosed spaces.

Manufacturers and operators must use and conform to ATEX directives for the protection of persons working in areas with high risk of explosion.

These ESD products are certified by TÜV-Süd in relation to their electrical discharge capability.

**Target groups:**

Device manufacturers required to conform to ATEX product directive 2014/34/EU.

Operators required to conform to ATEX worker protection directive 1999/92/EC.

**Drawing reference:**

1) flat point DIN 78

lift to disengage

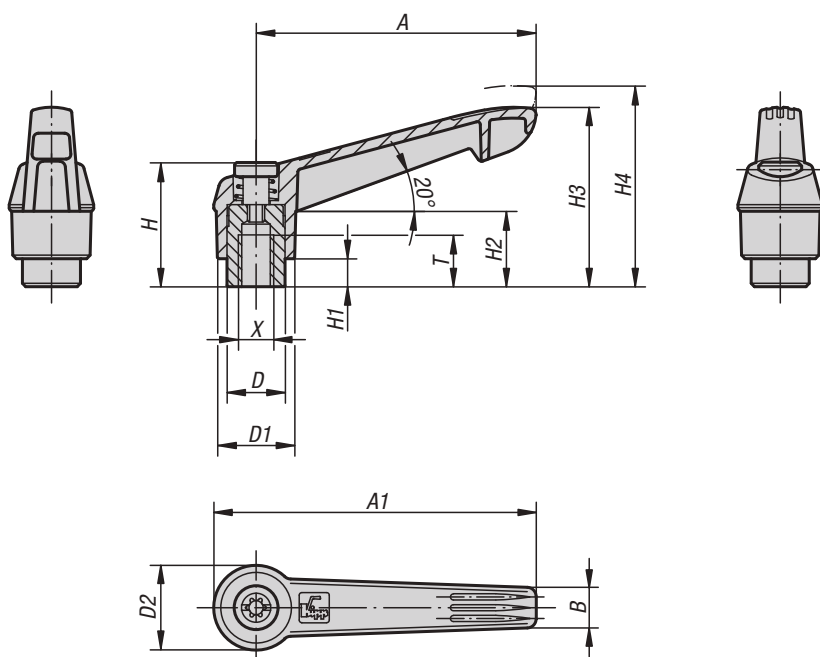


**KIPP Clamping levers antistatic, external thread, plastic grip**

Order No.	Main colour	Size	X	D	D1	D2	H	H1	H2	H3	H4	A	A1	B	No. of teeth	L
K0269.1120624X20	Graphite black RAL 9011	2	M6	13,5	18	19,5	28,5	6,5	17,5	41,5	45,5	65	75	9,5	20	20
K0269.1120824X20	Graphite black RAL 9011	2	M8	13,5	18	19,5	28,5	6,5	17,5	41,5	45,5	65	75	9,5	20	20
K0269.1121024X20	Graphite black RAL 9011	2	M10	13,5	18	19,5	28,5	6,5	17,5	41,5	45,5	65	75	9,5	20	20

# Clamping levers antibacterial

internal thread, plastic grip, metal parts stainless steel



**Material:**

Handles slate grey reinforced plastic, toothed ring die-cast zinc.  
Steel parts stainless steel 1.4305.

**Version:**

Stainless steel bright.

**Sample order:**

K0270.12206144

**Application:**

The antibacterial KIPP MEDI grip products are highly effective against a variety of hazardous microorganisms, such as bacteria, fungi, viruses and even multi-resistant bacteria (e.g. MRSA). The plastic used incorporates micro-silver particles with an antimicrobial effect to ensure effective results throughout the entire product life cycle.

**Function:**

Silver ions are effective in preventing harmful microorganisms from forming on the product surface, promoting a constant reduction of the existing germs on the MEDI grip products (as tested and confirmed by an accredited testing laboratory). During cleaning cycles the risk of infection while touching these products is significantly lower.

**Advantages:**

Resistant to humidity and cleaning products (during disinfection) with no toxic side effects.

**Applications:**

For installation on machines, equipment, plants and furnishings in areas with increased hygienic requirements (including hospitals, doctors' surgeries, rehabilitation centres and food production facilities), as well as for use in public areas or regularly frequented institutions (i.e. nursing homes or daycare centres).

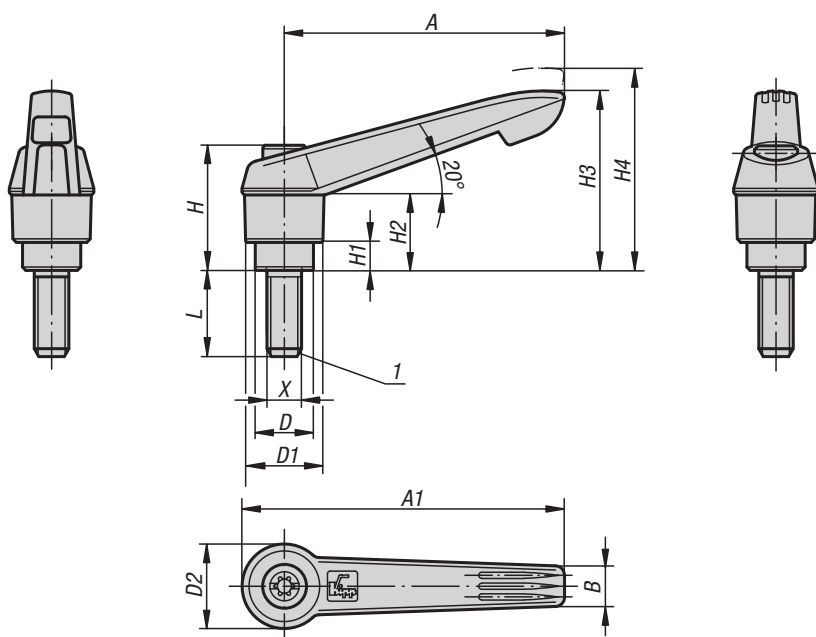


**KIPP Clamping levers antibacterial, internal thread, plastic grip, metal parts stainless steel**

Order No.	Size	X	T	D	D1	D2	H	H1	H2	H3	H4	A	A1	B	No. of teeth
K0270.12206144	2	M6	12	13,5	18	19,5	28,5	6,5	17,5	41,5	45,5	65	75	9,5	20
K0270.12208144	2	M8	12	13,5	18	19,5	28,5	6,5	17,5	41,5	45,5	65	75	9,5	20

## Clamping levers antibacterial

external thread, plastic grip, metal parts stainless steel



**Material:**

Handles slate grey reinforced plastic, toothed ring die-cast zinc.  
Steel parts stainless steel 1.4305.

**Version:**

Stainless steel bright.

**Sample order:**

K0270.12210144X20

**Application:**

The antibacterial KIPP MEDI grip products are highly effective against a variety of hazardous microorganisms, such as bacteria, fungi, viruses and even multi-resistant bacteria (e.g. MRSA). The plastic used incorporates micro-silver particles with an antimicrobial effect to ensure effective results throughout the entire product life cycle.

**Function:**

Silver ions are effective in preventing harmful microorganisms from forming on the product surface, promoting a constant reduction of the existing germs on the MEDI grip products (as tested and confirmed by an accredited testing laboratory).

During cleaning cycles the risk of infection while touching these products is significantly lower.

**Advantages:**

Resistant to humidity and cleaning products (during disinfection) with no toxic side effects.

**Applications:**

For installation on machines, equipment, plants and furnishings in areas with increased hygienic requirements (including hospitals, doctors' surgeries, rehabilitation centres and food production facilities), as well as for use in public areas or regularly frequented institutions (i.e. nursing homes or daycare centres).

lift to disengage

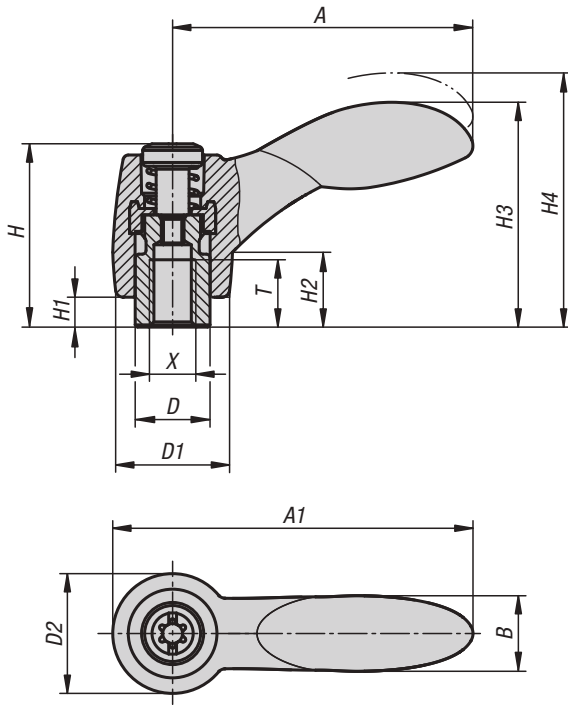


**KIPP Clamping levers antibacterial, external thread, plastic grip, metal parts stainless steel**

Order No.	Size	X	D	D1	D2	H	H1	H2	H3	H4	A	A1	B	No. of teeth	L
K0270.12206144X20	2	M6	13,5	18	19,5	28,5	6,5	17,5	41,5	45,5	65	75	9,5	20	20
K0270.12208144X20	2	M8	13,5	18	19,5	28,5	6,5	17,5	41,5	45,5	65	75	9,5	20	20
K0270.12210144X20	2	M10	13,5	18	19,5	28,5	6,5	17,5	41,5	45,5	65	75	9,5	20	20

## Clamping levers 2K

internal thread



**Material:**

**Handle:**

Hard component fibreglass reinforced plastic with die-cast zinc toothed ring.

Soft component Thermoflex based on SEBS.

Steel parts:  
grade 5.8.

**Version:**

Steel parts black oxidised.

**Sample order:**

K0125.10401

**Note:**

The hard and soft components are supplied in black grey RAL 7021 as standard.

**On request:**

Other internal threads, colour combinations and special versions.

Dimension "H1" available in other lengths on request at extra charge.



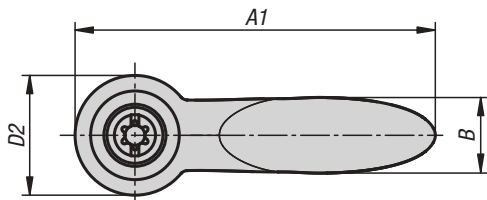
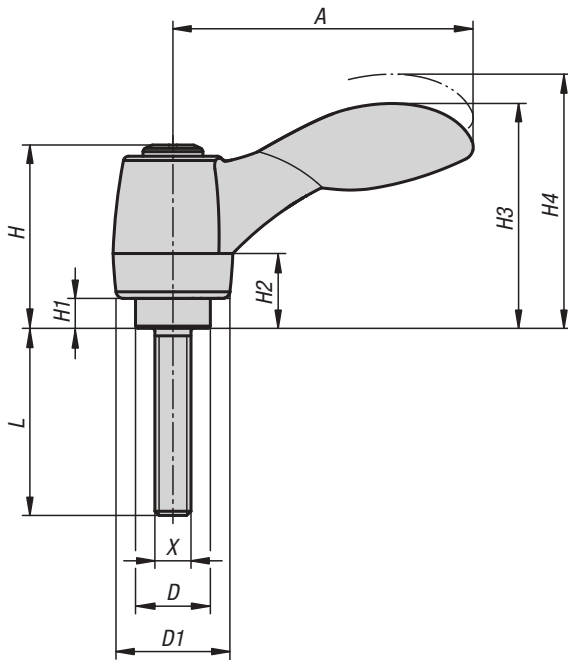
**KIPP Clamping levers 2K with internal thread**

Order No.	Size	X	T	D	D1	D2	H	H1	H2	H3	H4	A	A1	B	No. of teeth
K0125.10401	1	M4	9	10	15	16	24,5	4	10	30	33,5	40,1	48,1	10,1	16
K0125.10501	1	M5	9	10	15	16	24,5	4	10	30	33,5	40,1	48,1	10,1	16
K0125.10601	1	M6	9	10	15	16	24,5	4	10	30	33,5	40,1	48,1	10,1	16
K0125.20601	2	M6	12	13,5	17,5	19	28,5	6,5	12,5	41,2	45,2	64,9	74,4	17,6	20
K0125.20801	2	M8	12	13,5	17,5	19	28,5	6,5	12,5	41,2	45,2	64,9	74,4	17,6	20
K0125.30801	3	M8	14	16	21	22	37	10	17	51,6	56,1	80,2	91,2	20,7	22
K0125.31001	3	M10	14	16	21	22	37	10	17	51,6	56,1	80,2	91,2	20,7	22



## Clamping levers 2K

external thread



**Material:**

Handle:

Hard component fibreglass reinforced plastic with die-cast zinc toothed ring.

Soft component Thermoflex based on SEBS.

Steel parts:  
grade 5.8.

**Version:**

Steel parts black oxidised.

**Sample order:**

K0125.10501X10 (include length L)

**Note:**

The hard and soft components are supplied in black grey RAL 7021 as standard.

**On request:**

Other external threads, screw lengths, colour combinations and special versions.

Dimension "H1" available in other lengths on request at extra charge.

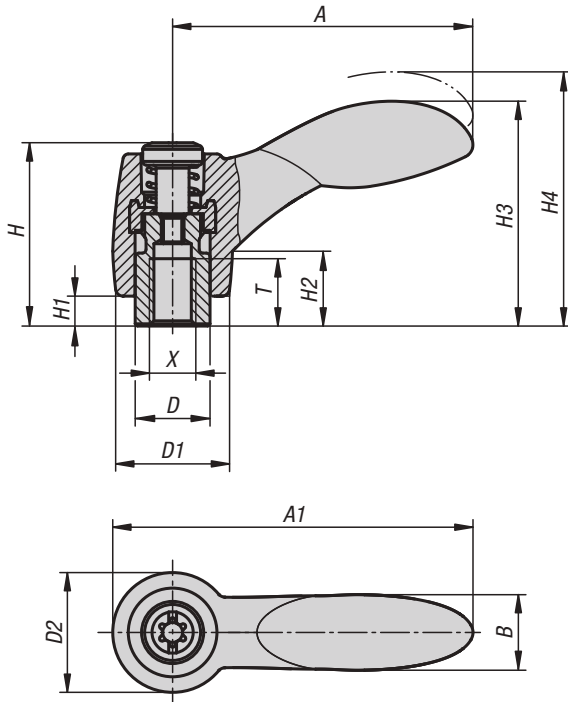


**KIPP Clamping levers 2K with external thread**

Order No.	Size	X	D	D1	D2	H	H1	H2	H3	H4	A	A1	B	No. of teeth	L
K0125.10501X	1	M5	10	15	16	24,5	4	10	30	33,5	40,1	48,1	10,1	16	10/15/20/25/30/35/40/45/50
K0125.10601X	1	M6	10	15	16	24,5	4	10	30	33,5	40,1	48,1	10,1	16	10/15/20/25/30/35/40/45/50
K0125.20601X	2	M6	13,5	17,5	19	28,5	6,5	12,5	41,2	45,2	64,9	74,4	17,6	20	15/20/25/30/35/40/45/50/55/60
K0125.20801X	2	M8	13,5	17,5	19	28,5	6,5	12,5	41,2	45,2	64,9	74,4	17,6	20	15/20/25/30/35/40/45/50/55/60
K0125.21001X	2	M10	13,5	17,5	19	28,5	6,5	12,5	41,2	45,2	64,9	74,4	17,6	20	15/20/25/30/35/40/45/50/55/60
K0125.30801X	3	M8	16	21	22	37	10	17	51,6	56,1	80,2	91,2	20,7	22	15/20/25/30/35/40/45/50/55/60
K0125.31001X	3	M10	16	21	22	37	10	17	51,6	56,1	80,2	91,2	20,7	22	15/20/25/30/35/40/45/50/55/60

# Clamping levers 2K

internal thread, metal parts stainless steel



**Material:**

Handle:  
Hard component in glass-fibre-reinforced plastic with toothed wheel in die cast zinc.  
Soft component: Thermoflex based on SEBS.  
Steel parts:  
Stainless steel, 1.4305.

**Version:**

Steel parts bright.

**Sample order:**

K0126.10401

**Note:**

The hard and soft components are supplied in black grey RAL 7021 as standard.

**On request:**

Other internal threads, colour combinations and special versions.

Dimension "H1" available in other lengths on request at extra charge.

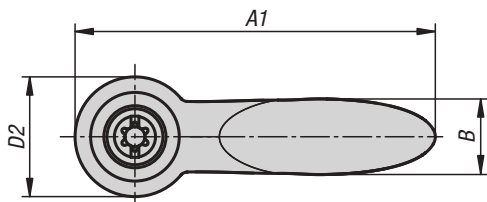
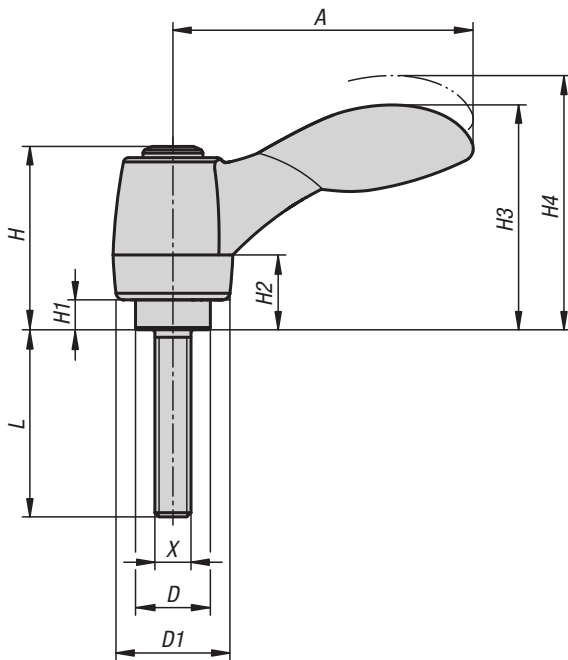


**KIPP Clamping levers 2K with internal thread, metal parts stainless steel**

Order No.	Size	X	T	D	D1	D2	H	H1	H2	H3	H4	A	A1	B	No. of teeth
K0126.10401	1	M4	9	10	15	16	24,5	4	10	30	33,5	40,1	48,1	10,1	16
K0126.10501	1	M5	9	10	15	16	24,5	4	10	30	33,5	40,1	48,1	10,1	16
K0126.10601	1	M6	9	10	15	16	24,5	4	10	30	33,5	40,1	48,1	10,1	16
K0126.20601	2	M6	12	13,5	17,5	19	28,5	6,5	12,5	41,2	45,2	64,9	74,4	17,6	20
K0126.20801	2	M8	12	13,5	17,5	19	28,5	6,5	12,5	41,2	45,2	64,9	74,4	17,6	20
K0126.30801	3	M8	14	16	21	22	37	10	17	51,6	56,1	80,2	91,2	20,7	22
K0126.31001	3	M10	14	16	21	22	37	10	17	51,6	56,1	80,2	91,2	20,7	22

## Clamping levers 2K

external thread, metal parts stainless steel



### Material:

Handle:

Hard component in glass-fibre-reinforced plastic with toothed wheel in die cast zinc.

Soft component: Thermoflex based on SEBS.

Steel parts:

Stainless steel 1.4305

### Version:

Steel parts bright.

### Sample order:

K0126.10501X10 (include length L)

### Note:

The hard and soft components are supplied in black grey RAL 7021 as standard.

### On request:

Other external threads, screw lengths, colour combinations and special versions.

Dimension "H1" available in other lengths at extra charge.

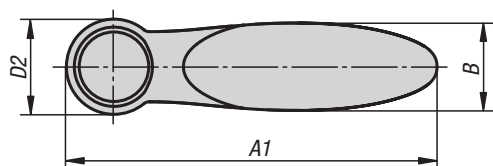
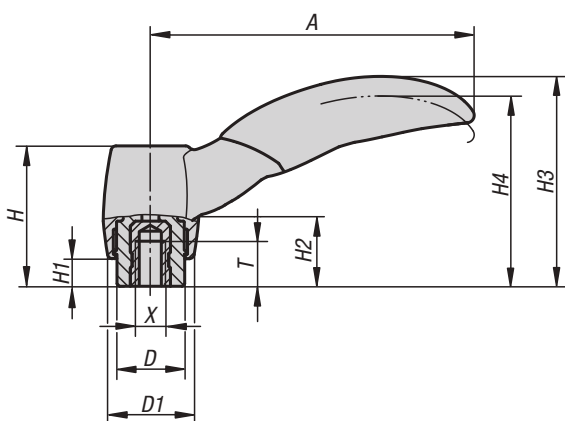


### KIPP Clamping levers 2K with external thread, metal parts stainless steel

Order No.	Size	X	D	D1	D2	H	H1	H2	H3	H4	A	A1	B	No. of teeth	L
K0126.10501X	1	M5	10	15	16	24,5	4	10	30	33,5	40,1	48,1	10,1	16	10/15/20/25
K0126.10601X	1	M6	10	15	16	24,5	4	10	30	33,5	40,1	48,1	10,1	16	10/15/20/25/30/40/50
K0126.20601X	2	M6	13,5	17,5	19	28,5	6,5	12,5	41,2	45,2	64,9	74,4	17,6	20	15/20/25/30/40/50/60
K0126.20801X	2	M8	13,5	17,5	19	28,5	6,5	12,5	41,2	45,2	64,9	74,4	17,6	20	15/20/25/30/40/50/60
K0126.21001X	2	M10	13,5	17,5	19	28,5	6,5	12,5	41,2	45,2	64,9	74,4	17,6	20	20/25/30/40/50/60
K0126.30801X	3	M8	16	21	22	37	10	17	51,6	56,1	80,2	91,2	20,7	22	20/25/30/40/50/60
K0126.31001X	3	M10	16	21	22	37	10	17	51,6	56,1	80,2	91,2	20,7	22	20/25/30/40/50/60

## Clamping lever ECO

internal thread



**Material:**

Handle and insert reinforced plastic.

For size 1 and 2, brass bush.

For size 3, steel bush.

**Version:**

Steel blue passivated.

**Sample order:**

K0252.1041

**Note:**

Standard colour is black grey RAL 7021.

**On request:**

Other internal threads, colours and special versions.

press to  
disengage

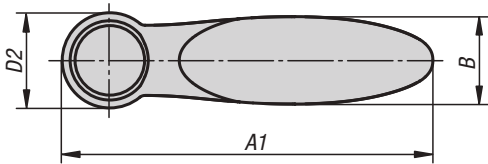
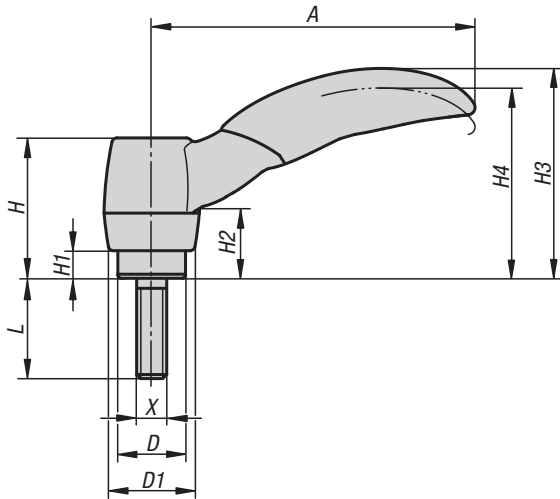


### KIPP Clamping lever ECO internal thread

Order No.	Size	X	T	D	D1	D2	H	H1	H2	H3	H4	A	A1	B	No. of teeth
K0252.1041	1	M4	6	10	12,6	14,1	21,7	5	11,3	32	29,1	47,9	55	13	12
K0252.1051	1	M5	6	10	12,6	14,1	21,7	5	11,3	32	29,1	47,9	55	13	12
K0252.2051	2	M5	7,5	13,5	17	19	28	5,5	14	41,9	38	64,5	74	17,5	12
K0252.2061	2	M6	9	13,5	17	19	28	5,5	14	41,9	38	64,5	74	17,5	12
K0252.2081	2	M8	9	13,5	17	19	28	5,5	14	41,9	38	64,5	74	17,5	12
K0252.3081	3	M8	12	17	20,4	23,9	40,7	10	23,1	58,1	53,3	81,1	93	22	12
K0252.3101	3	M10	12	17	20,4	23,9	40,7	10	23,1	58,1	53,3	81,1	93	22	12

## Clamping lever ECO

external thread



**Material:**

Handle and insert reinforced plastic.  
Screw steel 5.8.

**Version:**

Steel blue passivated.

**Sample order:**

K0252.1041X10  
(include length L)

**Note:**

Standard colour is black grey RAL 7021.

**On request:**

Other external threads, colours and special versions.

press to  
disengage

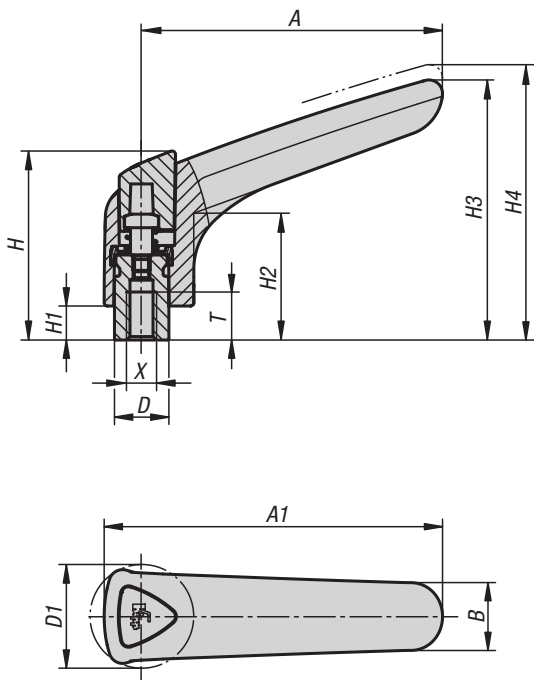


### KIPP Clamping lever ECO external thread

Order No.	Size	X	D	D1	D2	H	H1	H2	H3	H4	A	A1	B	No. of teeth	L
K0252.1041X	1	M4	10	12,6	14,1	21,7	5	11,3	32	29,1	47,9	55	13	12	10/15/20
K0252.1051X	1	M5	10	12,6	14,1	21,7	5	11,3	32	29,1	47,9	55	13	12	10/15/20/25
K0252.2051X	2	M5	13,5	17	19	28	5,5	14	41,9	38	64,5	74	17,5	12	10/15/20/25/30/40
K0252.2061X	2	M6	13,5	17	19	28	5,5	14	41,9	38	64,5	74	17,5	12	10/15/20/25/30/40
K0252.2081X	2	M8	13,5	17	19	28	5,5	14	41,9	38	64,5	74	17,5	12	10/15/20/25/30/40
K0252.3081X	3	M8	17	20,4	23,9	40,7	10	23,1	58,1	53,3	81,1	93	22	12	20/25/30/40/50/60
K0252.3101X	3	M10	17	20,4	23,9	40,7	10	23,1	58,1	53,3	81,1	93	22	12	20/25/30/40/50/60

## Clamping levers ergonomic

internal thread



**Material:**

Handle:

Hard components reinforced plastic, toothed ring die-cast zinc.

Soft components thermoplastic elastomer.

Steel parts:  
grade 5.8.

**Version:**

Steel parts blue-passivated.

**Sample order:**

K0981.3081

**Note:**

The colour combinations graphite black RAL 9011 (hard components) and black grey RAL 7021 (soft components) are supplied as standard.

The soft components ensure a non-slip grip of the operating part. The closed design offers sufficient protection against dirt. The design was especially developed for ergonomic gripping requirements.

The push button improves disengagement and allows the handle to be easily used.

**On request:**

Other internal threads, colours and special versions.  
Dimension "H1" available in other lengths at extra charge.

lift to disengage

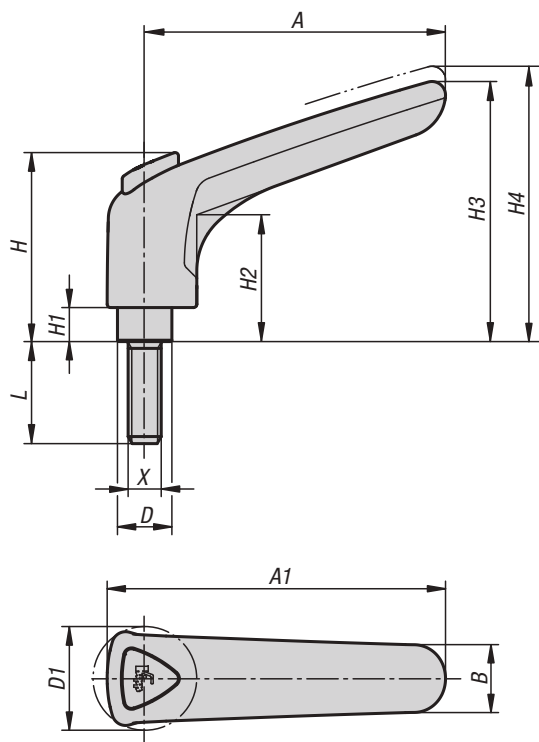


**KIPP Clamping lever, ergonomic, internal thread**

Order No.	Size	X	T	D	D1	H	H1	H2	H3	H4	A	A1	B	No. of teeth
K0981.3081	3	M8	14	16	30,5	55,6	10	37,3	76,5	81	88,5	99,5	20	22
K0981.3101	3	M10	14	16	30,5	55,6	10	37,3	76,5	81	88,5	99,5	20	22

## Clamping levers ergonomic

external thread



**Material:**

Handle:  
Hard components reinforced plastic, toothed ring die-cast zinc.  
Soft components thermoplastic elastomer.  
Steel parts:  
grade 5.8.

**Version:**

Steel parts blue-passivated.

**Sample order:**

K0981.3081X15

**Note:**

The colour combinations graphite black RAL 9011 (hard components) and black grey RAL 7021 (soft components) are supplied as standard.

**On request:**

Other external threads, screw lengths, colour combinations and special versions.

Dimension "H1" available in other lengths on request at extra charge.



The soft components ensure a non-slip grip of the operating part. The closed design offers sufficient protection against dirt. The design was especially developed for ergonomic gripping requirements.

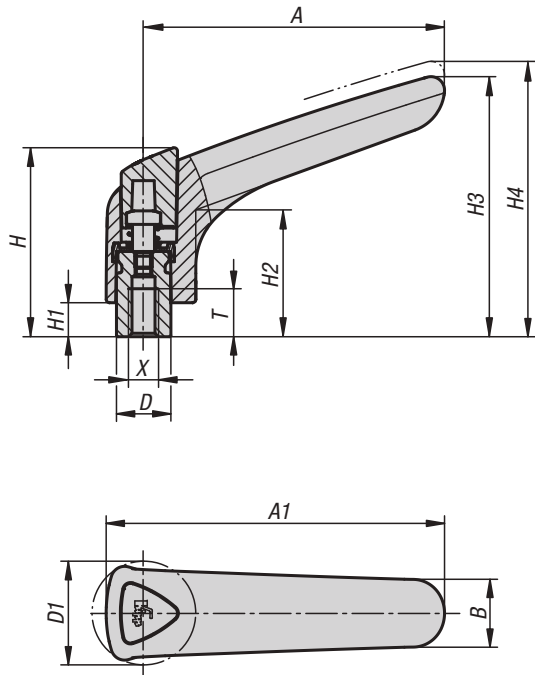
The push button improves disengagement and allows the handle to be easily used.

**KIPP Clamping lever, ergonomic, external thread**

Order No.	Size	X	D	D1	H	H1	H2	H3	H4	A	A1	B	No. of teeth	L
K0981.3081X15	3	M8	16	30,5	55,6	10	37,3	76,5	81	88,5	99,5	20	22	15
K0981.3081X20	3	M8	16	30,5	55,6	10	37,3	76,5	81	88,5	99,5	20	22	20
K0981.3081X25	3	M8	16	30,5	55,6	10	37,3	76,5	81	88,5	99,5	20	22	25
K0981.3081X30	3	M8	16	30,5	55,6	10	37,3	76,5	81	88,5	99,5	20	22	30
K0981.3081X35	3	M8	16	30,5	55,6	10	37,3	76,5	81	88,5	99,5	20	22	35
K0981.3081X40	3	M8	16	30,5	55,6	10	37,3	76,5	81	88,5	99,5	20	22	40
K0981.3081X45	3	M8	16	30,5	55,6	10	37,3	76,5	81	88,5	99,5	20	22	45
K0981.3081X50	3	M8	16	30,5	55,6	10	37,3	76,5	81	88,5	99,5	20	22	50
K0981.3081X55	3	M8	16	30,5	55,6	10	37,3	76,5	81	88,5	99,5	20	22	55
K0981.3081X60	3	M8	16	30,5	55,6	10	37,3	76,5	81	88,5	99,5	20	22	60
K0981.3101X15	3	M10	16	30,5	55,6	10	37,3	76,5	81	88,5	99,5	20	22	15
K0981.3101X20	3	M10	16	30,5	55,6	10	37,3	76,5	81	88,5	99,5	20	22	20
K0981.3101X25	3	M10	16	30,5	55,6	10	37,3	76,5	81	88,5	99,5	20	22	25
K0981.3101X30	3	M10	16	30,5	55,6	10	37,3	76,5	81	88,5	99,5	20	22	30
K0981.3101X35	3	M10	16	30,5	55,6	10	37,3	76,5	81	88,5	99,5	20	22	35
K0981.3101X40	3	M10	16	30,5	55,6	10	37,3	76,5	81	88,5	99,5	20	22	40
K0981.3101X45	3	M10	16	30,5	55,6	10	37,3	76,5	81	88,5	99,5	20	22	45
K0981.3101X50	3	M10	16	30,5	55,6	10	37,3	76,5	81	88,5	99,5	20	22	50
K0981.3101X55	3	M10	16	30,5	55,6	10	37,3	76,5	81	88,5	99,5	20	22	55
K0981.3101X60	3	M10	16	30,5	55,6	10	37,3	76,5	81	88,5	99,5	20	22	60

## Clamping levers ergonomic

internal thread, steel parts stainless steel



**Material:**

Handle:  
Hard components reinforced plastic, toothed ring die-cast zinc.  
Soft components thermoplastic elastomer.  
Steel parts:  
Stainless steel, 1.4305.

**Version:**

Steel parts bright.

**Sample order:**

K0982.3081

**Note:**

The colour combinations graphite black RAL 9011 (hard components) and black grey RAL 7021 (soft components) are supplied as standard.

The soft components ensure a non-slip grip of the operating part. The closed design offers sufficient protection against dirt. The design was especially developed for ergonomic gripping requirements.

The push button improves disengagement and allows the handle to be easily used.

**On request:**

Other internal threads, colours and special versions.  
Dimension "H1" available in other lengths at extra charge.

lift to disengage



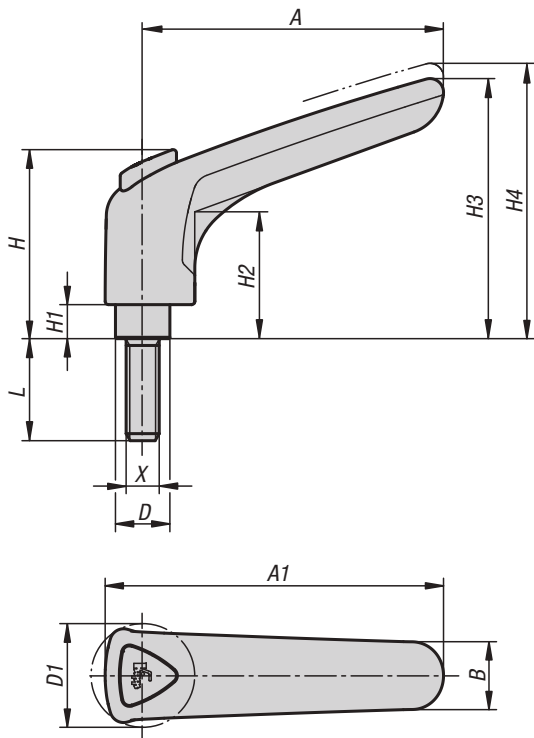
**KIPP Clamping levers, ergonomic, internal thread, metal parts stainless steel**

Order No.	Size	X	T	D	D1	H	H1	H2	H3	H4	A	A1	B	No. of teeth
K0982.3081	3	M8	14	16	30,5	55,6	10	37,3	76,5	81	88,5	99,5	20	22
K0982.3101	3	M10	14	16	30,5	55,6	10	37,3	76,5	81	88,5	99,5	20	22



## Clamping levers ergonomic

external thread, steel parts stainless steel



lift to disengage



### Material:

Handle:

Hard components reinforced plastic, toothed ring die-cast zinc.

Soft components thermoplastic elastomer.

Steel parts:

Stainless steel, 1.4305.

### Version:

Steel parts bright.

### Sample order:

K0982.3081X20

### Note:

The colour combinations graphite black RAL 9011 (hard components) and black grey RAL 7021 (soft components) are supplied as standard.

The soft components ensure a non-slip grip of the operating part. The closed design offers sufficient protection against dirt. The design was especially developed for ergonomic gripping requirements.

The push button improves disengagement and allows the handle to be easily used.

### On request:

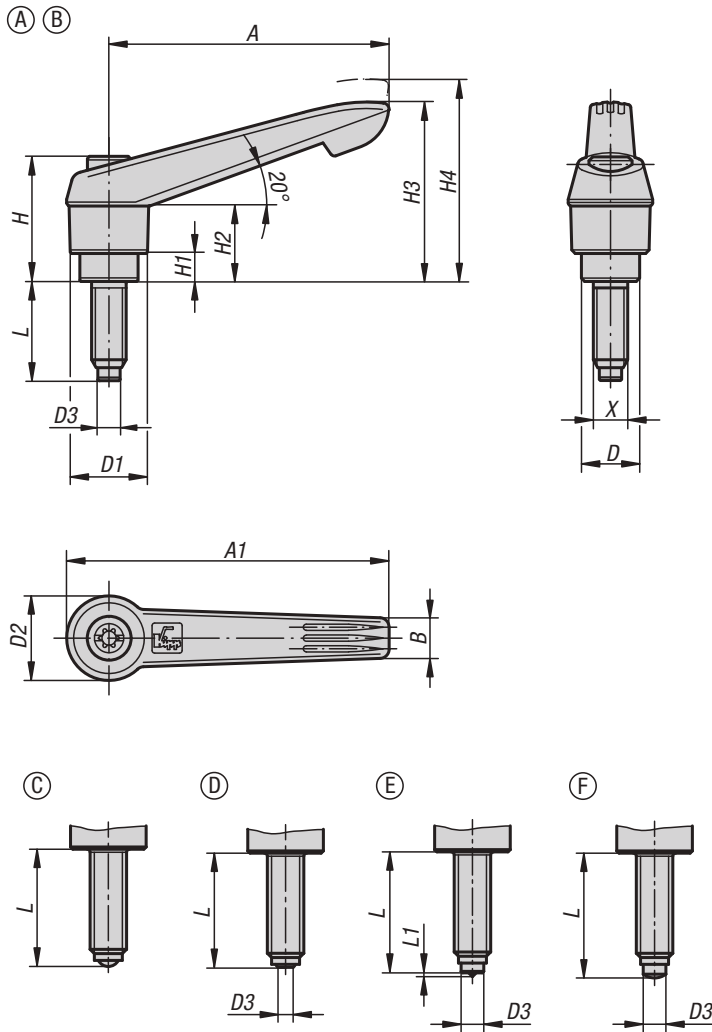
Other external threads, screw lengths, colour combinations and special versions.

Dimension "H1" available in other lengths on request at extra charge.

### KIPP Clamping lever, ergonomic, external thread, metal parts stainless steel

Order No.	Size	X	D	D1	H	H1	H2	H3	H4	A	A1	B	No. of teeth	L
K0982.3081X20	3	M8	16	30,5	55,6	10	37,3	76,5	81	88,5	99,5	20	22	20
K0982.3081X25	3	M8	16	30,5	55,6	10	37,3	76,5	81	88,5	99,5	20	22	25
K0982.3081X30	3	M8	16	30,5	55,6	10	37,3	76,5	81	88,5	99,5	20	22	30
K0982.3081X40	3	M8	16	30,5	55,6	10	37,3	76,5	81	88,5	99,5	20	22	40
K0982.3081X50	3	M8	16	30,5	55,6	10	37,3	76,5	81	88,5	99,5	20	22	50
K0982.3081X60	3	M8	16	30,5	55,6	10	37,3	76,5	81	88,5	99,5	20	22	60
K0982.3101X20	3	M10	16	30,5	55,6	10	37,3	76,5	81	88,5	99,5	20	22	20
K0982.3101X25	3	M10	16	30,5	55,6	10	37,3	76,5	81	88,5	99,5	20	22	25
K0982.3101X30	3	M10	16	30,5	55,6	10	37,3	76,5	81	88,5	99,5	20	22	30
K0982.3101X40	3	M10	16	30,5	55,6	10	37,3	76,5	81	88,5	99,5	20	22	40
K0982.3101X50	3	M10	16	30,5	55,6	10	37,3	76,5	81	88,5	99,5	20	22	50
K0982.3101X60	3	M10	16	30,5	55,6	10	37,3	76,5	81	88,5	99,5	20	22	60

# Clamping lever with thrust pad



**Material:**

Handles fibreglass reinforced plastic with die-cast zinc toothed rings.  
 Steel parts grade 5.8.  
 Thrust pin, brass, steel or POM.  
 Ball in steel.

**Version:**

Steel parts black oxidised.

**Sample order:**

K0780.12061X20 (include length L)

**Note:**

The various different thrust pins are used to avoid pressure marks, compensate for unevenness or increase the grip on the workpiece.

**On request:**

Other external threads, screw lengths, clamp lever colours and thrust pin types as well as special versions.  
 Dimension "H1" optionally available in other lengths at extra cost.

**Drawing reference:**

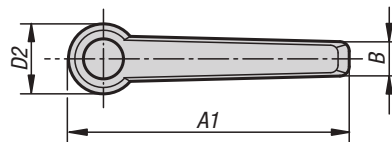
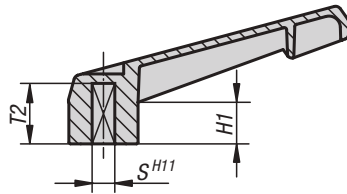
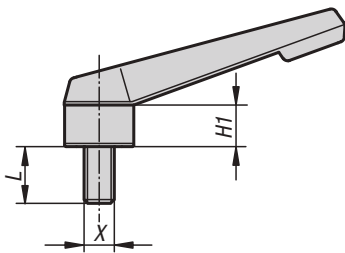
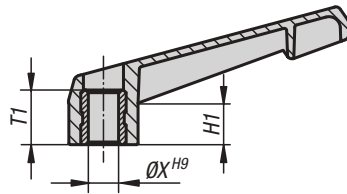
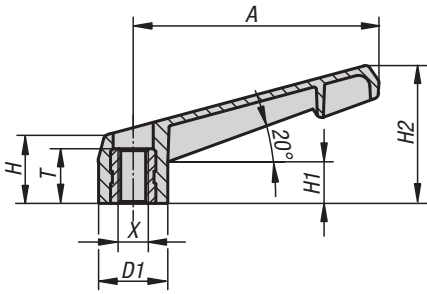
- Form A: brass thrust pin
- Form B: POM thrust pin
- Form C: with ball
- Form D: with flattened ball
- Form E: with point
- Form F: with half-dog point



### KIPP Clamping lever with thrust pad

Order No.	Form	Component material	Size	X	D	D1	D2	D3	Ball-Ø	H	H1	H2	H3	H4	A	A1	B	No. of teeth	L	L1
K0780.11051X	A	pin brass	1	M5	10	13	14,5	3	-	24,5	4	15	30	33,5	40	47	7,5	16	20/30/40/50	-
K0780.11061X	A	pin brass	1	M6	10	13	14,5	4	-	24,5	4	15	30	33,5	40	47	7,5	16	20/30/40/50	-
K0780.12061X	A	pin brass	2	M6	13,5	18	19,5	4	-	28,5	6,5	17,5	41,5	45,5	65	75	9,5	20	20/30/40/50/60	-
K0780.12081X	A	pin brass	2	M8	13,5	18	19,5	5,5	-	28,5	6,5	17,5	41,5	45,5	65	75	9,5	20	20/30/40/50/60	-
K0780.12101X	A	pin brass	2	M10	13,5	18	19,5	7	-	28,5	6,5	17,5	41,5	45,5	65	75	9,5	20	20/30/40/50/60	-
K0780.21051X	B	pin POM	1	M5	10	13	14,5	3	-	24,5	4	15	30	33,5	40	47	7,5	16	20,5/30,5/40,5/50,5	-
K0780.21061X	B	pin POM	1	M6	10	13	14,5	3,5	-	24,5	4	15	30	33,5	40	47	7,5	16	19,8/29,8/39,8/49,8	-
K0780.22061X	B	pin POM	2	M6	13,5	18	19,5	3,5	-	28,5	6,5	17,5	41,5	45,5	65	75	9,5	20	19,8/29,8/39,8/49,8/59,8	-
K0780.22081X	B	pin POM	2	M8	13,5	18	19,5	5	-	28,5	6,5	17,5	41,5	45,5	65	75	9,5	20	19,6/29,6/39,6/49,6/59,6	-
K0780.22101X	B	pin POM	2	M10	13,5	18	19,5	6,5	-	28,5	6,5	17,5	41,5	45,5	65	75	9,5	20	19,9/29,9/39,9/49,9/59,9	-
K0780.31051X	C	ball steel	1	M5	10	13	14,5	-	3	24,5	4	15	30	33,5	40	47	7,5	16	19,5/29,5/39,5/49,5	-
K0780.31061X	C	ball steel	1	M6	10	13	14,5	-	4	24,5	4	15	30	33,5	40	47	7,5	16	19,3/29,3/39,3/49,3	-
K0780.32061X	C	ball steel	2	M6	13,5	18	19,5	-	4	28,5	6,5	17,5	41,5	45,5	65	75	9,5	20	19,3/29,3/39,3/49,3/59,3	-
K0780.32081X	C	ball steel	2	M8	13,5	18	19,5	-	5,5	28,5	6,5	17,5	41,5	45,5	65	75	9,5	20	19,2/29,2/39,2/49,2/59,2	-
K0780.32101X	C	ball steel	2	M10	13,5	18	19,5	-	7	28,5	6,5	17,5	41,5	45,5	65	75	9,5	20	19,7/29,7/39,7/49,7/59,7	-
K0780.41051X	D	ball steel	1	M5	10	13	14,5	2	3	24,5	4	15	30	33,5	40	47	7,5	16	19,1/29,1/39,1/49,1	-
K0780.41061X	D	ball steel	1	M6	10	13	14,5	3	4	24,5	4	15	30	33,5	40	47	7,5	16	18,6/28,6/38,6/48,6	-
K0780.42061X	D	ball steel	2	M6	13,5	18	19,5	3	4	28,5	6,5	17,5	41,5	45,5	65	75	9,5	20	18,6/28,6/38,6/48,6/58,6	-
K0780.42081X	D	ball steel	2	M8	13,5	18	19,5	4,1	5,5	28,5	6,5	17,5	41,5	45,5	65	75	9,5	20	18,3/28,3/38,3/48,3/58,3	-
K0780.42101X	D	ball steel	2	M10	13,5	18	19,5	5,6	7	28,5	6,5	17,5	41,5	45,5	65	75	9,5	20	18,3/28,3/38,3/48,3/58,3	-
K0780.51051X	E	point steel	1	M5	10	13	14,5	3	-	24,5	4	15	30	33,5	40	47	7,5	16	20/30/40/50	0,5
K0780.51061X	E	point steel	1	M6	10	13	14,5	4	-	24,5	4	15	30	33,5	40	47	7,5	16	20/30/40/50	0,8
K0780.52061X	E	point steel	2	M6	13,5	18	19,5	4	-	28,5	6,5	17,5	41,5	45,5	65	75	9,5	20	20/30/40/50/60	0,8
K0780.52081X	E	point steel	2	M8	13,5	18	19,5	5,5	-	28,5	6,5	17,5	41,5	45,5	65	75	9,5	20	20/30/40/50/60	1
K0780.52101X	E	point steel	2	M10	13,5	18	19,5	7	-	28,5	6,5	17,5	41,5	45,5	65	75	9,5	20	20/30/40/50/60	1,5
K0780.61051X	F	half-dog steel	1	M5	10	13	14,5	3	-	24,5	4	15	30	33,5	40	47	7,5	16	20,5/30,5/40,5/50,5	-
K0780.61061X	F	half-dog steel	1	M6	10	13	14,5	4	-	24,5	4	15	30	33,5	40	47	7,5	16	20,8/30,8/40,8/50,8	-
K0780.62061X	F	half-dog steel	2	M6	13,5	18	19,5	4	-	28,5	6,5	17,5	41,5	45,5	65	75	9,5	20	20,8/30,8/40,8/50,8/60,8	-
K0780.62081X	F	half-dog steel	2	M8	13,5	18	19,5	5,5	-	28,5	6,5	17,5	41,5	45,5	65	75	9,5	20	20,8/30,8/40,8/50,8/60,8	-
K0780.62101X	F	half-dog steel	2	M10	13,5	18	19,5	7	-	28,5	6,5	17,5	41,5	45,5	65	75	9,5	20	20,9/30,9/40,9/50,9/60,9	-

**Clamping levers non-adjustable**



**Material:**

Handle fibreglass reinforced plastic.  
Steel parts grade 5.8.

**Version:**

Handle black grey, steel parts blue passivated.

**Sample order:**

K0175.105X20 (include length L)

**Note:**

Non-adjustable clamping levers can be used for simple applications. Generally, there must be enough space so that the lever can be rotated through 360°.

**On request:**

Special versions.



## KIPP Non-adjustable clamping levers with internal thread

Order No.	Version	Size	X	T	D1	D2	H	H1	H2	A	A1	B
K0175.104000	internal thread	1	M4	10	13,8	14	17	11	27	40	47	8
K0175.105000	internal thread	1	M5	10	13,8	14	17	11	27	40	47	8
K0175.106000	internal thread	1	M6	10	13,8	14	17	11	27	40	47	8
K0175.208000	internal thread	2	M8	14	18,3	18,5	18	11	36,5	65	75	9
K0175.310000	internal thread	3	M10	14	21,8	22	22	14	45	80	91	11
K0175.412000	internal thread	4	M12	18	25,8	26	26	17	54	95	108	13
K0175.516000	internal thread	5	M16	18	30,8	31	31	21	63	110	126	16

## KIPP Non-adjustable clamping levers with external thread

Order No.	Version	Size	X	D1	D2	H	H1	H2	A	A1	B	L
K0175.105X	external thread	1	M5	13,8	14	17	11	27	40	47	8	20
K0175.106X	external thread	1	M6	13,8	14	17	11	27	40	47	8	20
K0175.208X	external thread	2	M8	18,3	18,5	18	11	36,5	65	75	9	15/20/30
K0175.310X	external thread	3	M10	21,8	22	22	14	45	80	91	11	30
K0175.412X	external thread	4	M12	25,8	26	26	17	54	95	108	13	30
K0175.516X	external thread	5	M16	30,8	31	31	21	63	110	126	16	40

## KIPP Non-adjustable clamping levers with reamed hole

Order No.	Version	Size	X	T1	D1	D2	H	H1	H2	A	A1	B
K0175.106001	reamed hole	1	6	10	13,8	14	17	11	27	40	47	8
K0175.208001	reamed hole	2	8	14	18,3	18,5	18	11	36,5	65	75	9
K0175.310001	reamed hole	3	10	14	21,8	22	22	14	45	80	91	11
K0175.412001	reamed hole	4	12	18	25,8	26	26	17	54	95	108	13
K0175.516001	reamed hole	5	16	18	30,8	31	31	21	63	110	126	16

## KIPP Non-adjustable clamping levers with square socket

Order No.	Version	Size	S	T2	D1	D2	H	H1	H2	A	A1	B
K0175.105002	square socket	1	5	13	13,8	14	17	11	27	40	47	8
K0175.206002	square socket	2	6	16	18,3	18,5	18	11	36,5	65	75	9
K0175.308002	square socket	3	8	18	21,8	22	22	14	45	80	91	11
K0175.410002	square socket	4	10	20	25,8	26	26	17	54	95	108	13
K0175.512002	square socket	5	12	26	30,8	31	31	21	63	110	126	16

## Tension levers

internal thread



**Material:**

Steel parts grade 5.8.  
Ball knob black plastic.

**Version:**

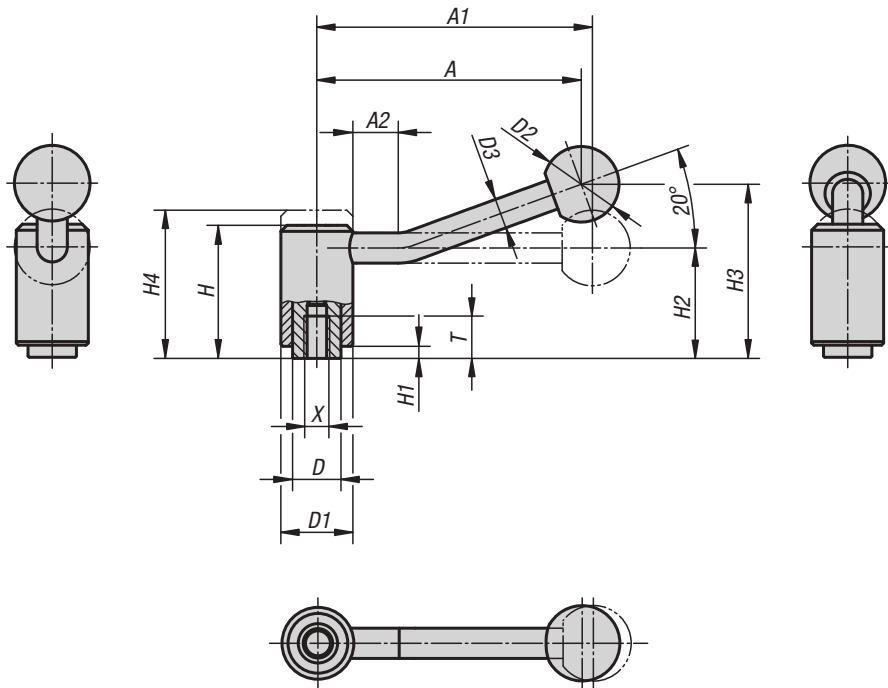
Plastic-coated with fine texture, black

**Sample order:**

K0108.1082

**On request:**

Other internal threads and special versions.  
Dimensions "H1", "A" and "A1" available in other lengths at extra charge.



### KIPP Tension levers with internal thread

Order No. 0°	Order No. 20°	Size	X	T	D	D1	D2	D3	H	H1	H2	H3	H4	A	A1	A2	No. of teeth
K0108.1082	K0108.1081	1	M8	14	16	24	25	10	44,5	4,5	37	-/58,5	49,5	-/88	92/-	-/15	22
K0108.1102	K0108.1101	1	M10	14	16	24	25	10	44,5	4,5	37	-/58,5	49,5	-/88	92/-	-/15	22
K0108.2102	K0108.2101	2	M10	17	19	28	32	12	51,5	5,5	42	-/68,5	57,5	-/106	111/-	-/15	24
K0108.2122	K0108.2121	2	M12	17	19	28	32	12	51,5	5,5	42	-/68,5	57,5	-/106	111/-	-/15	24
K0108.3122	K0108.3121	3	M12	23	23	33	32	13	58	6	47	-/81	65	-/128,5	134,5/-	-/15	26
K0108.3162	K0108.3161	3	M16	23	23	33	32	13	58	6	47	-/81	65	-/128,5	134,5/-	-/15	26
K0108.4162	K0108.4161	4	M16	27	30	41	32	13	68,5	7,5	56,5	-/89,5	76,5	-/128,5	134/-	-/15	36
K0108.4202	K0108.4201	4	M20	27	30	41	32	13	68,5	7,5	56,5	-/89,5	76,5	-/128,5	134/-	-/15	36
K0108.4242	K0108.4241	4	M24	27	30	41	32	13	68,5	7,5	56,5	-/89,5	76,5	-/128,5	134/-	-/15	36

## Tension levers

external thread



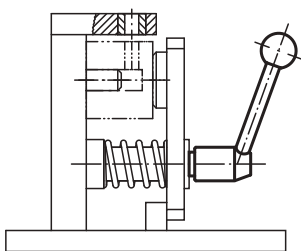
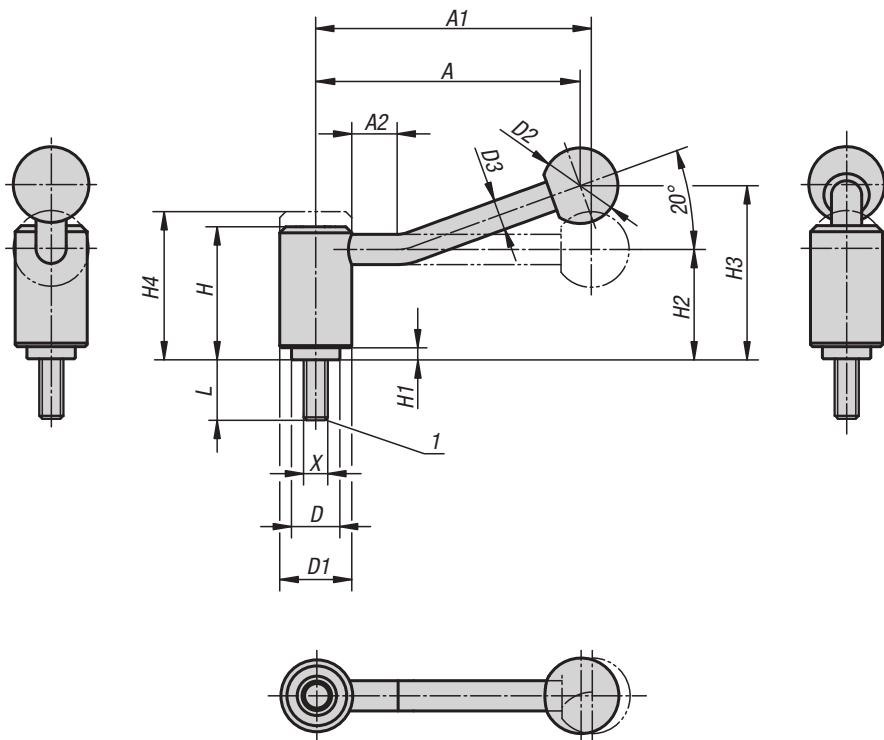
**Material:**  
Steel parts grade 5.8.  
Ball knob black plastic.

**Version:**  
Plastic-coated with fine texture, black

**Sample order:**  
K0108.1082X30 (include length L)

**On request:**  
Other external threads, screw lengths and special versions.  
Dimensions "H1", "A" and "A1" available in other lengths at extra charge.

**Drawing reference:**  
1) flat point DIN 78



### KIPP Tension levers with external thread

Order No. 0°	Order No. 20°	Size	X	D	D1	D2	D3	H	H1	H2	H3	H4	A	A1	A2	No. of teeth	L
K0108.1082X	K0108.1081X	1	M8	16	24	25	10	44,5	4,5	37	-/58,5	49,5	-/88	92/-	-/15	22	15/20/25/30/40/50/60
K0108.1102X	K0108.1101X	1	M10	16	24	25	10	44,5	4,5	37	-/58,5	49,5	-/88	92/-	-/15	22	15/20/25/30/40/50/60
K0108.1122X	K0108.1121X	1	M12	16	24	25	10	44,5	4,5	37	-/58,5	49,5	-/88	92/-	-/15	22	15/20/25/30/40/50/60
K0108.2122X	K0108.2121X	2	M12	19	28	32	12	51,5	5,5	42	-/68,5	57,5	-/106	111/-	-/15	24	20/25/30/40/50/60
K0108.3122X	K0108.3121X	3	M12	23	33	32	13	58	6	47	-/81	65	-/128,5	134,5/-	-/15	26	20/25/30/40/50/60/70/80/90
K0108.3162X	K0108.3161X	3	M16	23	33	32	13	58	6	47	-/81	65	-/128,5	134,5/-	-/15	26	20/25/30/40/50/60/70/80/90
K0108.4162X	K0108.4161X	4	M16	30	41	32	13	68,5	7,5	56,5	-/89,5	76,5	-/128,5	134/-	-/15	36	30/40/50/60/70/80/90
K0108.4202X	K0108.4201X	4	M20	30	41	32	13	68,5	7,5	56,5	-/89,5	76,5	-/128,5	134/-	-/15	36	30/40/50/60/70/80/90
K0108.4242X	K0108.4241X	4	M24	30	41	32	13	68,5	7,5	56,5	-/89,5	76,5	-/128,5	134/-	-/15	36	30/40/50/60/70/80/90

## Tension levers

internal thread, stainless steel



**Material:**

Steel parts stainless steel 1.4305.  
Ball knob black plastic.

**Version:**

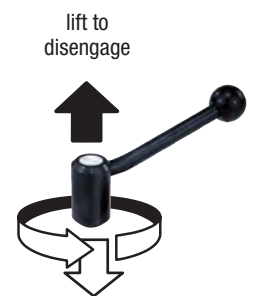
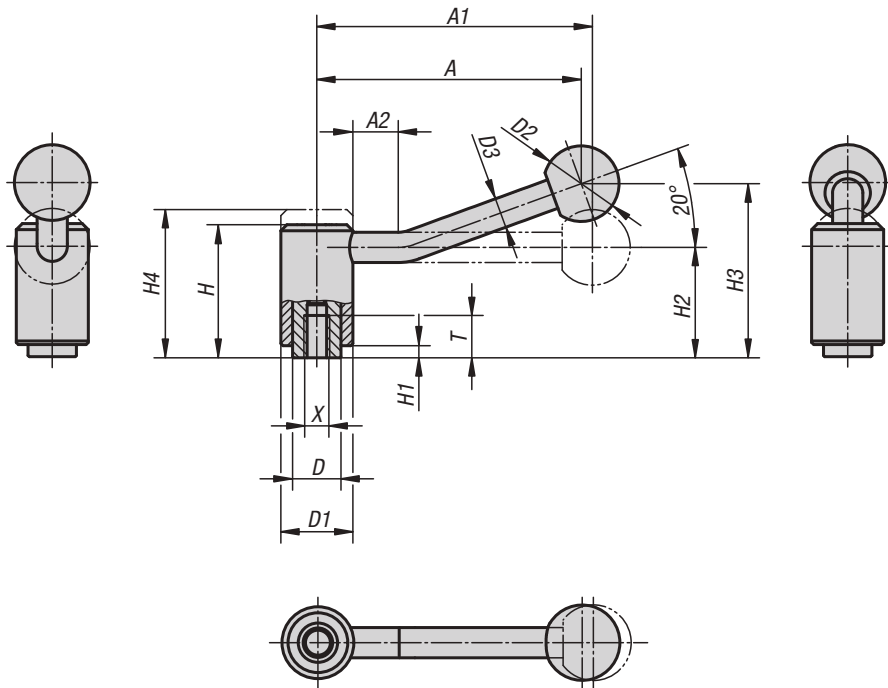
Steel parts bright.  
Ball knob polished.

**Sample order:**

K0109.1082

**On request:**

Other internal threads and special versions.  
Dimensions "H1", "A" and "A1" available in other lengths at extra charge.



**KIPP Tension levers, internal thread, stainless steel**

Order No. 0°	Order No. 20°	Size	X	T	D	D1	D2	D3	H	H1	H2	H3	H4	A	A1	A2	No. of teeth
K0109.1082	K0109.1081	1	M8	14	16	24	25	10	44,5	4,5	37	-/58,5	49,5	-/88	92/-	-/15	22
K0109.1102	K0109.1101	1	M10	14	16	24	25	10	44,5	4,5	37	-/58,5	49,5	-/88	92/-	-/15	22
K0109.2102	K0109.2101	2	M10	17	19	28	32	12	51,5	5,5	42	-/68,5	57,5	-/106	111/-	-/15	24
K0109.2122	K0109.2121	2	M12	17	19	28	32	12	51,5	5,5	42	-/68,5	57,5	-/106	111/-	-/15	24
K0109.3122	K0109.3121	3	M12	23	23	33	32	13	58	6	47	-/81	65	-/128,5	134,5/-	-/15	26
K0109.3162	K0109.3161	3	M16	23	23	33	32	13	58	6	47	-/81	65	-/128,5	134,5/-	-/15	26
K0109.4162	K0109.4161	4	M16	27	30	41	32	13	68,5	7,5	56,5	-/89,5	76,5	-/128,5	134/-	-/15	36
K0109.4202	K0109.4201	4	M20	27	30	41	32	13	68,5	7,5	56,5	-/89,5	76,5	-/128,5	134/-	-/15	36



## Tension levers

external thread, stainless steel



**Material:**

Steel parts stainless steel 1.4305.  
Ball knob black plastic.

**Version:**

Steel parts bright.  
Ball knob polished.

**Sample order:**

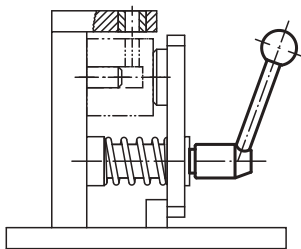
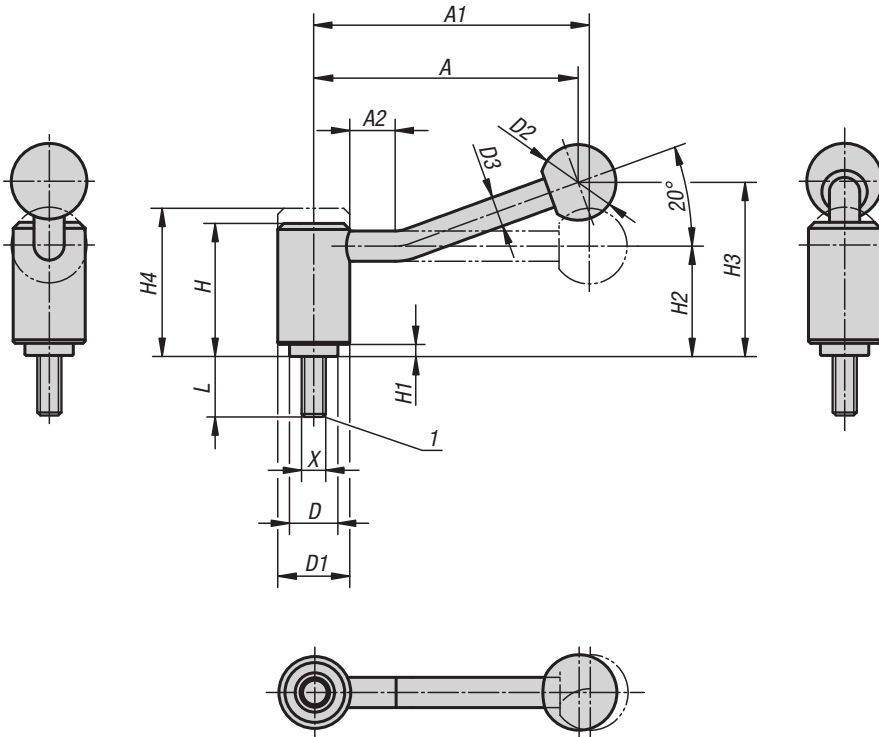
K0109.1082X30 (include length L)

**On request:**

Other external threads, screw lengths and special versions.  
Dimensions "H1", "A" and "A1" available in other lengths at extra charge.

**Drawing reference:**

1) flat point DIN 78



### KIPP Tension levers, external thread, stainless steel

Order No. 0°	Order No. 20°	Size	X	D	D1	D2	D3	H	H1	H2	H3	H4	A	A1	A2	No. of teeth	L
K0109.1082X	K0109.1081X	1	M8	16	24	25	10	44,5	4,5	37	-/58,5	49,5	-/88	92/-	-/15	22	15/20/25/30/40/50/60
K0109.1102X	K0109.1101X	1	M10	16	24	25	10	44,5	4,5	37	-/58,5	49,5	-/88	92/-	-/15	22	15/20/25/30/40/50/60
K0109.1122X	K0109.1121X	1	M12	16	24	25	10	44,5	4,5	37	-/58,5	49,5	-/88	92/-	-/15	22	15/20/25/30/40/50/60
K0109.2122X	K0109.2121X	2	M12	19	28	32	12	51,5	5,5	42	-/68,5	57,5	-/106	111/-	-/15	24	20/25/30/40/50/60
K0109.3122X	K0109.3121X	3	M12	23	33	32	13	58	6	47	-/81	65	-/128,5	134,5/-	-/15	26	20/25/30/40/50/60/70/80/90
K0109.3162X	K0109.3161X	3	M16	23	33	32	13	58	6	47	-/81	65	-/128,5	134,5/-	-/15	26	20/25/30/40/50/60/70/80/90
K0109.4162X	K0109.4161X	4	M16	30	41	32	13	68,5	7,5	56,5	-/89,5	76,5	-/128,5	134/-	-/15	36	30/40/50/60/70/80/90
K0109.4202X	K0109.4201X	4	M20	30	41	32	13	68,5	7,5	56,5	-/89,5	76,5	-/128,5	134/-	-/15	36	30/40/50/60/70/80/90

## Tension levers safety

internal thread



**Material:**

Steel parts grade 5.8.  
Ball knob black plastic.

**Version:**

Plastic-coated with fine texture, black

**Sample order:**

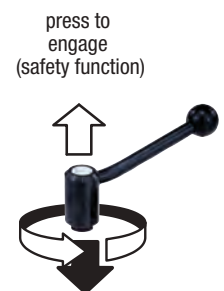
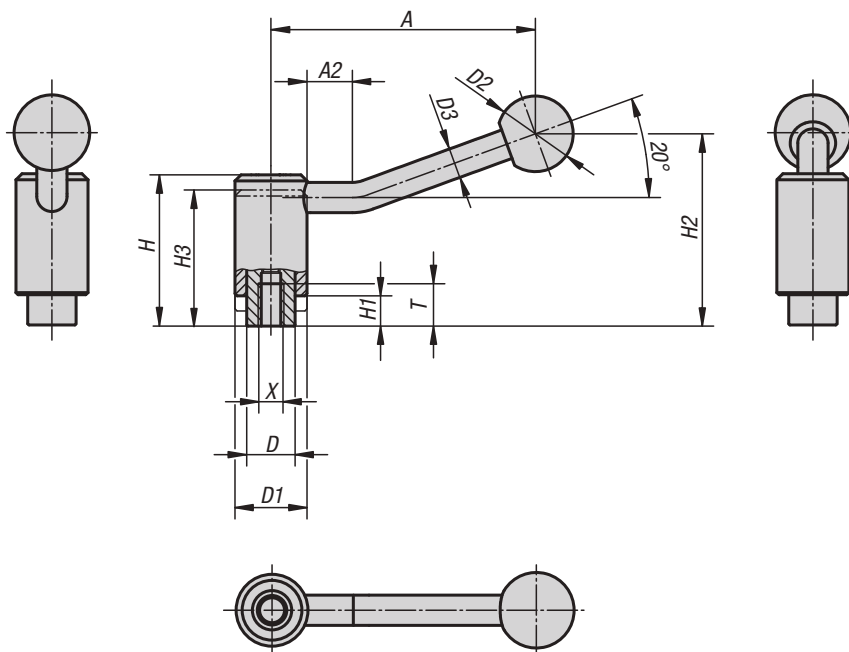
K0112.1108

**Method of operation:**

To operate safety tension levers, press the handle down until the teeth are fully engaged. The object concerned can now be clamped or released. Spring pressure releases the locking mechanism immediately, thereby restoring the safety function (handle can be turned effortlessly).

**On request:**

Special versions.  
Dimensions "H1" and "A" available in other lengths at extra charge.



**KIPP Tension levers, safety, with internal thread**

Order No.	Size	X	T	D	D1	D2	D3	H	H1	H2	H3	A	A2	No. of teeth
K0112.1108	1	M8	14	16	24	25	10	49,5	9,5	63,5	44,5	88	15	22
K0112.1110	1	M10	14	16	24	25	10	49,5	9,5	63,5	44,5	88	15	22
K0112.1210	2	M10	17	19	28	32	12	56,5	10,5	74	51	106	15	24
K0112.1212	2	M12	17	19	28	32	12	56,5	10,5	74	51	106	15	24
K0112.1312	3	M12	23	23	33	32	13	64,5	12,5	87,5	57,5	128,5	15	26
K0112.1316	3	M16	23	23	33	32	13	64,5	12,5	87,5	57,5	128,5	15	26

## Tension levers safety

external thread



**Material:**

Steel parts grade 5.8.  
Ball knob black plastic.

**Version:**

Plastic-coated with fine texture, black

**Sample order:**

K0112.1108X30 (include length L)

**Method of operation:**

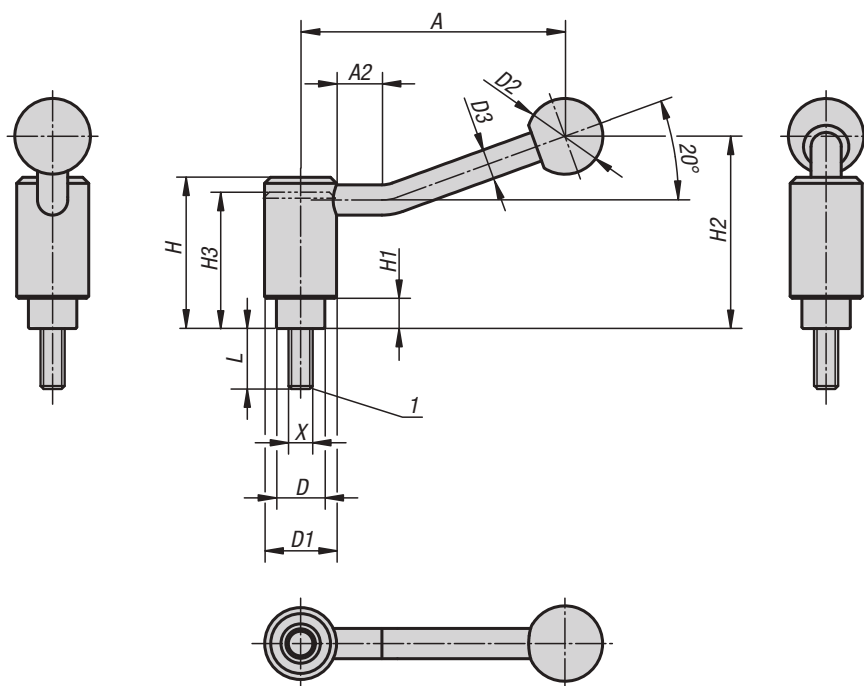
To operate safety tension levers, press the handle down until the teeth are fully engaged. The object concerned can now be clamped or released. Spring pressure releases the locking mechanism immediately, thereby restoring the safety function (handle can be turned effortlessly).

**On request:**

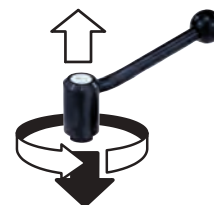
Other external threads, screw lengths and special versions.  
Dimensions "H1" and "A" available in other lengths at extra charge.

**Drawing reference:**

1) flat point DIN 78



press to engage  
(safety function)



### KIPP Tension levers, safety, with external thread

Order No.	Size	X	D	D1	D2	D3	H	H1	H2	H3	A	A2	No. of teeth	L
K0112.1108X20	1	M8	16	24	25	10	49,5	9,5	63,5	44,5	88	15	22	20/25/30/40/50/60
K0112.1110X20	1	M10	16	24	25	10	49,5	9,5	63,5	44,5	88	15	22	20/25/30/40/50/60
K0112.1112X20	1	M12	16	24	25	10	49,5	9,5	63,5	44,5	88	15	22	20/25/30/40/50/60
K0112.1212X20	2	M12	19	28	32	12	56,5	10,5	74	51	106	15	24	20/25/30/40/50/60
K0112.1312X25	3	M12	23	33	32	13	64,5	12,5	87,5	57,5	128,5	15	26	25/30/40/50/60
K0112.1316X25	3	M16	23	33	32	13	64,5	12,5	87,5	57,5	128,5	15	26	25/30/40/50/60

## Tension levers flat

internal thread



**Material:**

Steel parts grade 5.8.  
Ball knob black plastic.

**Version:**

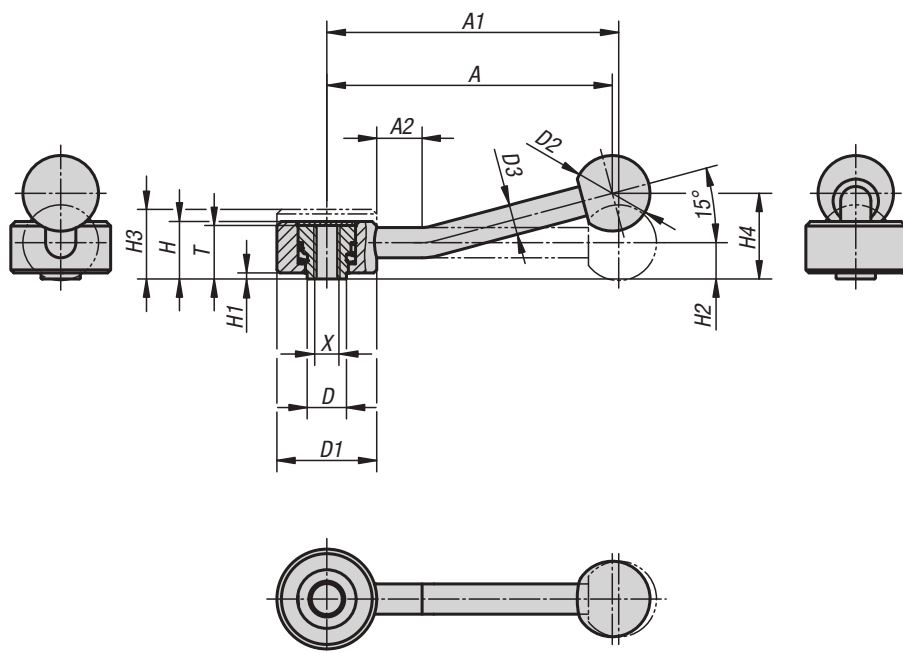
Black oxidised.

**Sample order:**

K0114.1061

**On request:**

Other internal threads and special versions.  
Dimensions "H1", "A" and "A1" available in other lengths at extra charge.

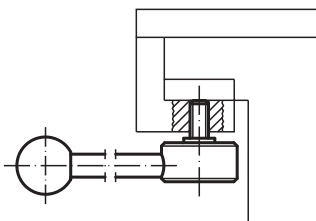
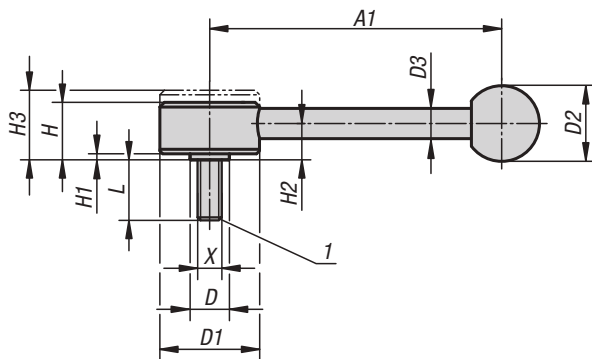
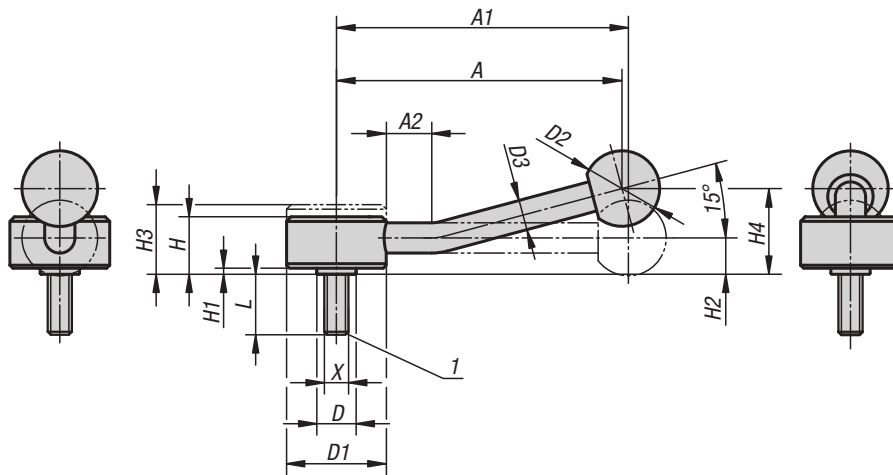


### KIPP Tension levers, flat, with internal thread

Order No. 0°	Order No. 15°	Size	X	T	D	D1	D2	D3	H	H1	H2	H3	H4	A	A1	A2	No. of teeth
K0114.1061	K0114.1062	1	M6	18	13,5	33	25	10	19	2	12	23	-/29	-/100	102/-	-/15	26
K0114.1081	K0114.1082	1	M8	18	13,5	33	25	10	19	2	12	23	-/29	-/100	102/-	-/15	26
K0114.2101	K0114.2102	2	M10	21	19	41	30	12	22	2	13,5	26	-/38	-/127	131/-	-/15	30
K0114.2121	K0114.2122	2	M12	21	19	41	30	12	22	2	13,5	26	-/38	-/127	131/-	-/15	30
K0114.3121	K0114.3122	3	M12	27	23	45	37	14	28	2	17	33	-/48	-/145	148/-	-/15	36
K0114.3161	K0114.3162	3	M16	27	23	45	37	14	28	2	17	33	-/48	-/145	148/-	-/15	36

## Tension levers flat

external thread



**Material:**

Steel parts grade 5.8.  
Ball knob black plastic.

**Version:**

Black oxidised.

**Sample order:**

K0114.1081X30 (include length L)

**On request:**

Other external threads, screw lengths and special versions.

Dimensions "H1", "A" and "A1" available in other lengths at extra charge.

**Drawing reference:**

1) flat point DIN 78



### KIPP Tension levers, flat, external thread

Order No. 0°	Order No. 15°	Size	X	D	D1	D2	D3	H	H1	H2	H3	H4	A	A1	A2	No. of teeth	L
K0114.1081X	K0114.1082X	1	M8	13,5	33	25	10	19	2	12	23	-/29	-/100	102/-	-/15	20	15/20/25/30/40/50/60
K0114.1101X	K0114.1102X	1	M10	13,5	33	25	10	19	2	12	23	-/29	-/100	102/-	-/15	20	15/20/25/30/40/50/60
K0114.2101X	K0114.2102X	2	M10	19	41	30	12	22	2	13,5	26	-/38	-/127	131/-	-/15	24	20/25/30/40/50/60
K0114.2121X	K0114.2122X	2	M12	19	41	30	12	22	2	13,5	26	-/38	-/127	131/-	-/15	24	20/25/30/40/50/60
K0114.3121X	K0114.3122X	3	M12	23	45	37	14	28	2	17	33	-/48	-/145	148/-	-/15	26	20/25/30/40/50/60
K0114.3161X	K0114.3162X	3	M16	23	45	37	14	28	2	17	33	-/48	-/145	148/-	-/15	26	20/25/30/40/50/60

## Tension levers flat

internal thread, stainless steel



**Material:**

Steel parts stainless steel 1.4305.  
Ball knob black plastic.

**Version:**

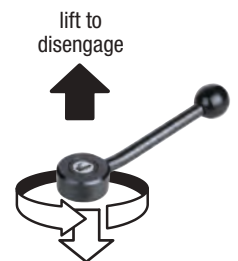
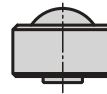
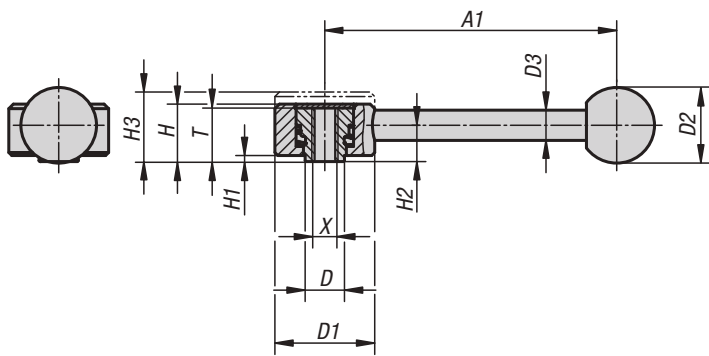
Steel parts bright.

**Sample order:**

K0129.1081

**On request:**

Other internal threads and special versions.  
Dimensions "H1" and "A1" available in other lengths at extra charge.

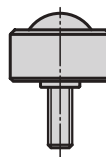
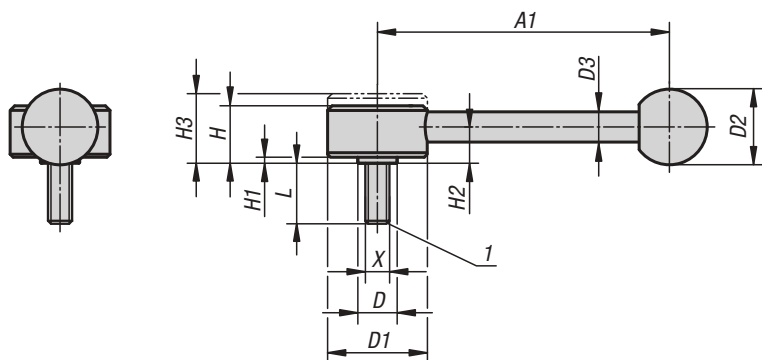


**KIPP Tension levers, flat, internal thread, stainless steel**

Order No.	Size	X	T	D	D1	D2	D3	H	H1	H2	H3	A1	No. of teeth
K0129.1081	1	M8	18	13,5	33	25	10	19	2	12	23	102	26
K0129.2101	2	M10	21	19	41	30	12	22	2	13,5	26	131	30
K0129.2121	2	M12	21	19	41	30	12	22	2	13,5	26	131	30
K0129.3161	3	M16	27	23	45	37	14	28	2	17	33	148	36

## Tension levers flat

external thread, stainless steel



**Material:**

Steel parts stainless steel 1.4305.  
Ball knob black plastic.

**Version:**

Steel parts bright.

**Sample order:**

K0129.1081X40 (include length L)

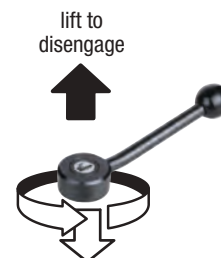
**On request:**

Other external threads, screw lengths and special versions.

Dimensions "H1" and "A1" available in other lengths at extra charge.

**Drawing reference:**

1) flat point DIN 78

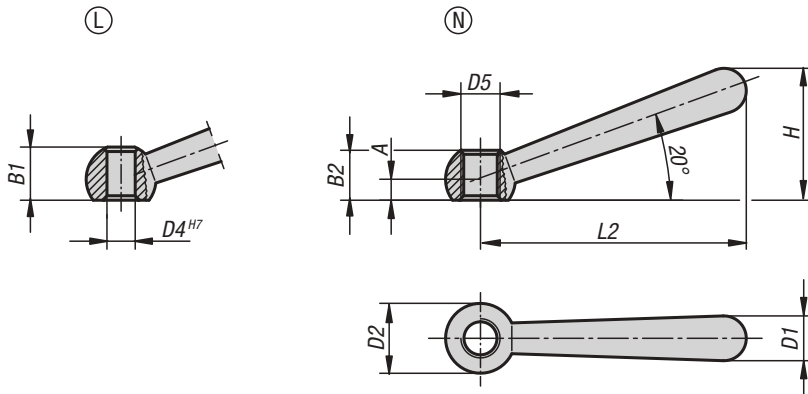


**KIPP Tension levers flat, external thread, stainless steel**

Order No.	Size	X	D	D1	D2	D3	H	H1	H2	H3	A1	No. of teeth	L
K0129.1081X	1	M8	13,5	33	25	10	19	2	12	23	102	26	30/40/50
K0129.2101X	2	M10	19	41	30	12	22	2	13,5	26	131	30	30/40/50/60
K0129.2121X	2	M12	19	41	30	12	22	2	13,5	26	131	30	30/40/50/60
K0129.3161X	3	M16	23	45	37	14	28	2	17	33	148	36	40/50/60

## Levers

DIN 99



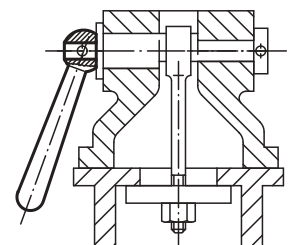
**Material:**  
Steel.

**Version:**  
Polished.

**Sample order:**  
K0174.212

**Note:**  
To fix the lever to another element, gluing is often more cost-effective than pinning.

**Drawing reference:**  
Form L: with hole  
Form N: with internal thread



### KIPP Levers DIN 99

Order No. Form L	Order No. Form N	A	D4	D5	B1	B2	D1	D2 ball	L2	H
K0174.106	K0174.206	4	6/-	-/M6	9,5/-	-/9,5	8	12	48	24
K0174.108	K0174.208	5	8/-	-/M8	12/-	-/12	10	16	60	30,5
K0174.110	K0174.210	6	10/-	-/M10	14,5/-	-/14,5	13	20	76	38
K0174.112	K0174.212	7,5	12/-	-/M12	18,5/-	-/18,5	16	25	95	47
K0174.116	K0174.216	10	16/-	-/M16	24/-	-/24	20	32	119	59,5
K0174.120	K0174.220	12,5	20/-	-/M20	30/-	-/30	25	40	152	75,5



## Tension levers



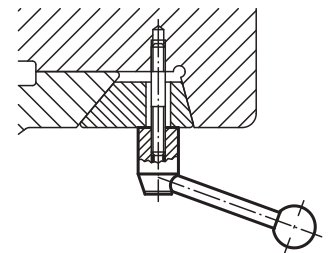
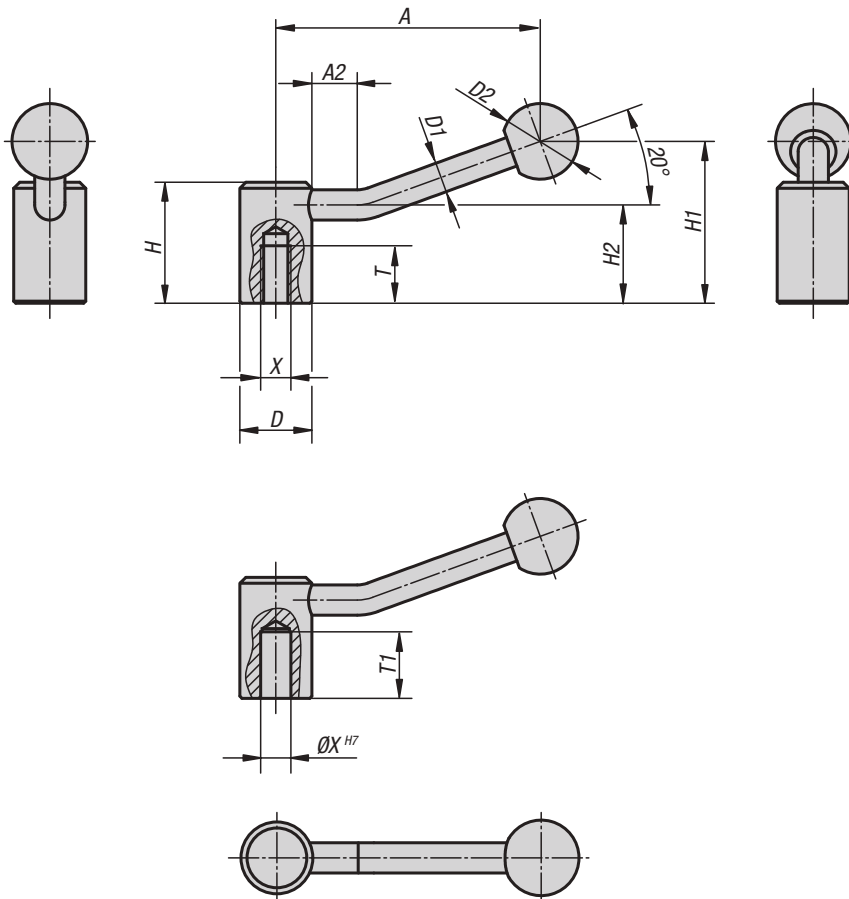
**Material:**  
Steel parts grade 5.8.  
Ball knob black plastic.

**Version:**  
Black oxidised.

**Sample order:**  
K0176.208

**Note:**  
Tension levers can be used for simple clamping or control operations.  
Where applicable, there must be enough space available so that the grip can be rotated 360°.

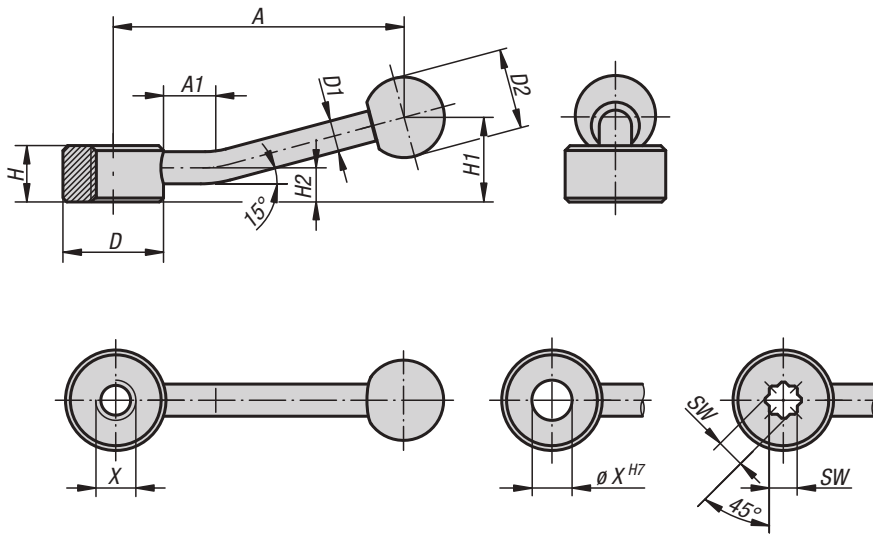
**On request:**  
Other internal threads, reamed holes and special versions.  
Dimension "A" available in other lengths at extra charge.



### KIPP Tension levers

Order No.	Version	Size	X	T	T1	D	D1	D2	H	H1	H2	A	A2
K0176.208	internal thread	1	M8	18	-	24	10	25	40	52,5	32,5	84,5	15
K0176.210	internal thread	1	M10	19	-	24	10	25	40	52,5	32,5	84,5	15
K0176.212	internal thread	2	M12	20	-	28	12	32	46	61	36,5	100	15
K0176.216	internal thread	3	M16	23	-	33	13	32	52	72	41	121	15
K0176.220	internal thread	4	M20	26	-	41	13	32	61	80	49	123	15
K0176.108	reamed hole	1	8	-	22	24	10	25	40	52,5	32,5	84,5	15
K0176.110	reamed hole	1	10	-	22	24	10	25	40	52,5	32,5	84,5	15
K0176.112	reamed hole	2	12	-	25	28	12	32	46	61	36,5	100	15
K0176.114	reamed hole	2	14	-	25	28	12	32	46	61	36,5	100	15
K0176.116	reamed hole	3	16	-	28	33	13	32	52	72	41	121	15
K0176.118	reamed hole	3	18	-	28	33	13	32	52	72	41	121	15
K0176.120	reamed hole	4	20	-	32	41	13	32	61	80	49	123	15

## Tension levers flat

**Material:**

Steel parts grade 5.8.

Ball knob black Duroplast PF 31

**Version:**

Black oxidised.

**Sample order:**

K0177.206

**Note:**

Flat tension levers can be used for simple clamping or control operations. Where applicable, there must be enough space available so that the grip can be rotated 360°.

The version with star socket is designed to allow a 45° change of position.

**On request:**

Other internal threads, reamed holes and star sockets. Dimension "A" available in other lengths at extra charge.



## KIPP Tension levers flat with internal thread

Order No.	Version	Size	X	D	D1	D2	H	H1	H2	A	A1
K0177.206	internal thread	1	M6	25	8	20	14	22	8,5	75	15
K0177.208	internal thread	1	M8	25	8	20	14	22	8,5	75	15
K0177.210	internal thread	1	M10	25	8	20	14	22	8,5	75	15
K0177.212	internal thread	2	M12	33	10	25	17	27	10	100	15
K0177.216	internal thread	2	M16	33	10	25	17	27	10	100	15
K0177.220	internal thread	3	M20	41	12	30	20	36	11,5	128	15
K0177.224	internal thread	3	M24	41	12	30	20	36	11,5	128	15

## KIPP Tension lever flat with reamed hole

Order No.	Version	Size	X	D	D1	D2	H	H1	H2	A	A1
K0177.106	reamed hole	1	6	25	8	20	14	22	8,5	75	15
K0177.108	reamed hole	1	8	25	8	20	14	22	8,5	75	15
K0177.110	reamed hole	1	10	25	8	20	14	22	8,5	75	15
K0177.112	reamed hole	2	12	33	10	25	17	27	10	100	15
K0177.116	reamed hole	2	16	33	10	25	17	27	10	100	15
K0177.120	reamed hole	3	20	41	12	30	20	36	11,5	128	15
K0177.124	reamed hole	3	24	41	12	30	20	36	11,5	128	15

## KIPP Tension lever flat with star socket

Order No.	Version	Size	SW	D	D1	D2	H	H1	H2	A	A1
K0177.305	star socket	1	5,5	25	8	20	14	22	8,5	75	15
K0177.307	star socket	1	7	25	8	20	14	22	8,5	75	15
K0177.309	star socket	2	9	33	10	25	17	27	10	100	15
K0177.311	star socket	2	11	33	10	25	17	27	10	100	15
K0177.314	star socket	3	14	41	12	30	20	36	11,5	128	15
K0177.319	star socket	3	19	41	12	30	20	36	11,5	128	15

**Ratchet levers**



**Material:**  
Housing carbon steel, tension nut and tension pin case-hardened steel.

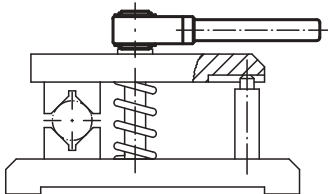
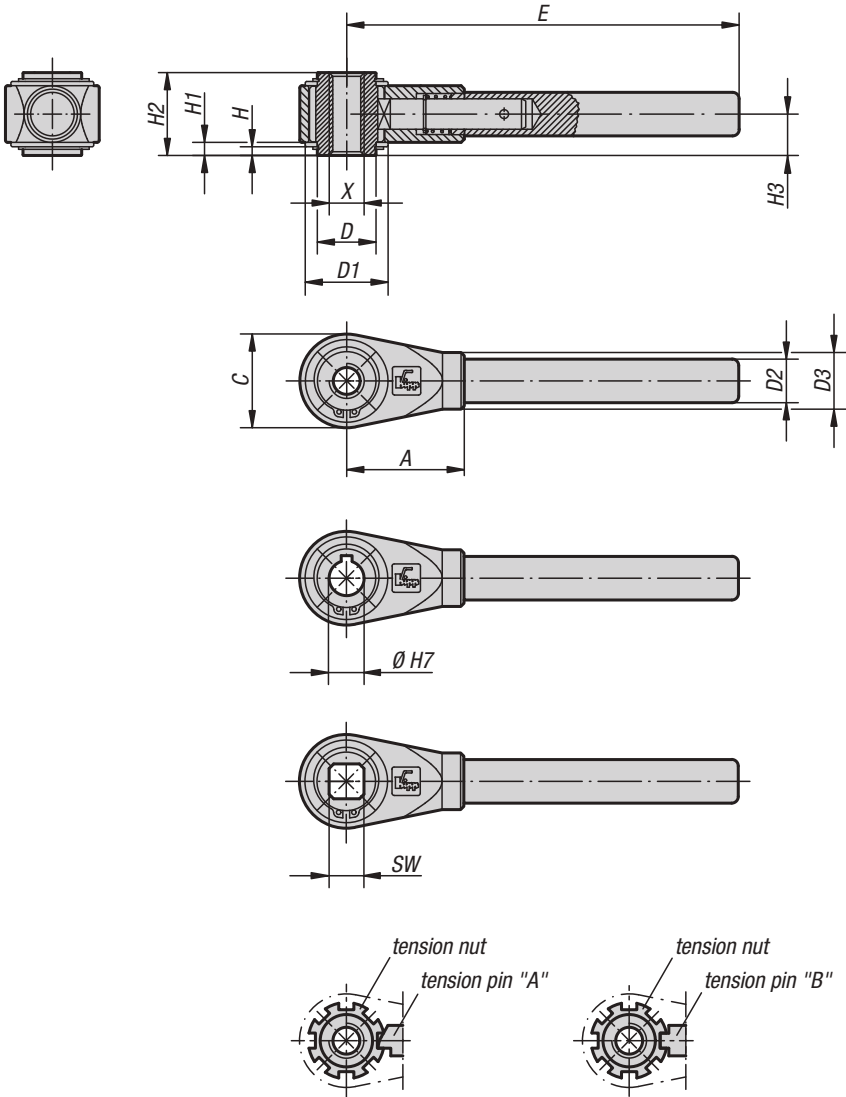
**Version:**  
Black oxidised.  
Matt-finished or high-polish chrome-plated versions available at extra charge.

**Sample order:**  
K0128.316

**Note:**  
Tension Pin A standard version (for ratchet action):  
Use for clamping and releasing in limited space and when considerable travel is involved. In order to change the tightening direction, the handle must be reversed by 180°.

Tension Pin B special version:  
Use for clamping and releasing in limited space and when short travel is involved. The handle is not reversed in order to change the tightening direction. It must be pulled out before it can be engaged in the next slot.

**On request:**  
Other internal threads, reamed holes and square sockets.  
Dimension "E" available in other lengths at extra charge.  
Special version: Tension pin B.





## KIPP Ratchet levers with internal thread

Order No.	Size	X	D	D1	D2	D3	H	H1	H2	H3	C	A	E	No. of index slots
K0128.310	1	M10	22	33	17	22	3	4,5	31	15,5	36	48	150	7
K0128.312	1	M12	22	33	17	22	3	4,5	31	15,5	36	48	150	7
K0128.314	2	M14	27	38	20	26	4	6	38	19	43	54	180	8
K0128.316	2	M16	27	38	20	26	4	6	38	19	43	54	180	8
K0128.318	3	M18	35	45	24	30	4	6	42	21	51	70	230	8
K0128.320	3	M20	35	45	24	30	4	6	42	21	51	70	230	8
K0128.322	4	M22	42	56	28	35	4	6	47	23,5	61	80	300	9
K0128.324	4	M24	42	56	28	35	4	6	47	23,5	61	80	300	9
K0128.327	4	M27	42	56	28	35	4	6	47	23,5	61	80	300	9
K0128.330	5	M30	60	75	32	38	5	7,5	53	26,5	82	110	400	11
K0128.336	5	M36	60	75	32	38	5	7,5	53	26,5	82	110	400	11
K0128.342	5	M42	60	75	32	38	5	7,5	53	26,5	82	110	400	11

## KIPP Ratchet levers with reamed hole

Order No.	Size	Reamed hole H7 with DIN 6885-1 keyway	D	D1	D2	D3	H	H1	H2	H3	C	A	E	No. of index slots
K0128.412	1	12	22	33	17	22	3	4,5	31	15,5	36	48	150	7
K0128.414	2	14	27	38	20	26	4	6	38	19	43	54	180	8
K0128.415	2	15	27	38	20	26	4	6	38	19	43	54	180	8
K0128.416	2	16	27	38	20	26	4	6	38	19	43	54	180	8
K0128.418	3	18	35	45	24	30	4	6	42	21	51	70	230	8
K0128.420	3	20	35	45	24	30	4	6	42	21	51	70	230	8
K0128.422	4	22	42	56	28	35	4	6	47	23,5	61	80	300	9
K0128.425	4	25	42	56	28	35	4	6	47	23,5	61	80	300	9
K0128.427	4	27	42	56	28	35	4	6	47	23,5	61	80	300	9
K0128.430	5	30	60	75	32	38	5	7,5	53	26,5	82	110	400	11
K0128.436	5	36	60	75	32	38	5	7,5	53	26,5	82	110	400	11

## KIPP Ratchet levers with square socket

Order No.	Size	Square socket SW	D	D1	D2	D3	H	H1	H2	H3	C	A	E	No. of index slots
K0128.510	1	10	22	33	17	22	3	4,5	31	15,5	36	48	150	7
K0128.512	1	12	22	33	17	22	3	4,5	31	15,5	36	48	150	7
K0128.513	2	13	27	38	20	26	4	6	38	19	43	54	180	8
K0128.514	2	14	27	38	20	26	4	6	38	19	43	54	180	8
K0128.517	3	17	35	45	24	30	4	6	42	21	51	70	230	8
K0128.519	4	19	42	56	28	35	4	6	47	23,5	61	80	300	9
K0128.520	4	20	42	56	28	35	4	6	47	23,5	61	80	300	9
K0128.522	4	22	42	56	28	35	4	6	47	23,5	61	80	300	9
K0128.524	4	24	42	56	28	35	4	6	47	23,5	61	80	300	9
K0128.530	5	30	60	75	32	38	5	7,5	53	26,5	82	110	400	11
K0128.532	5	32	60	75	32	38	5	7,5	53	26,5	82	110	400	11

# Cam levers

internal and external thread, steel or stainless steel



**Material:**

Handles cast aluminum EN AC-46200.  
 Thrust washer plastic PA 66 GF 35-X fibreglass reinforced.  
 Hinge pin stainless steel 1.4305.  
 Studs and washer steel grade 5.8 or stainless steel 1.4305.

**Version:**

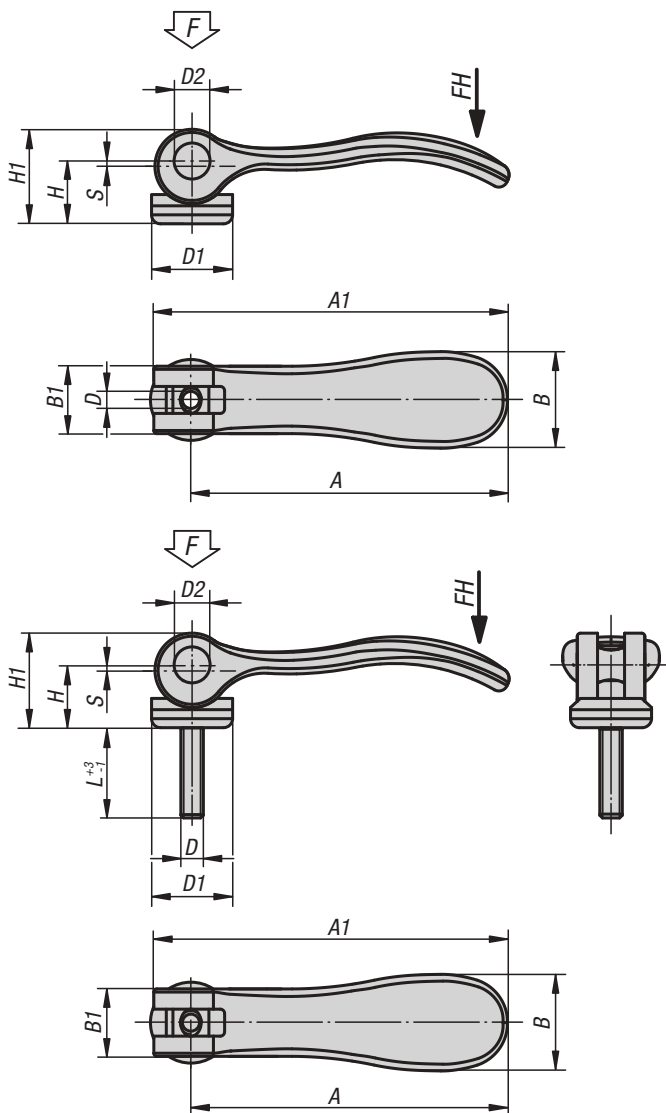
Handles fine structured powder-coated, black or red RAL 3003.  
 Thrust washer black.  
 Hinge pin bright.  
 Studs and washer blue passivated steel or bright stainless steel.

**Sample order:**

K0005.101105X20 (include length L)

**Note:**

Plastics are subject to creeping under load (retardation).



# Cam levers

internal and external thread, steel or stainless steel



## KIPP Cam levers with internal thread, lever black

Order No. steel	Order No. stainless steel	D	D1	D2	B	B1	H	H1	A	A1	Stroke S	Clamping force F (kN)	Hand force FH N
K0005.9501103	K0005.9511103	M3	12	6	14,4	11,5	9	13	36,2	41,7	1	1,5	90
K0005.9501104	K0005.9511104	M4	12	6	14,4	11,5	9	13	36,2	41,7	1	1,5	90
K0005.0501104	K0005.0511104	M4	15,4	8	18	13	11,2	17	52,3	59,1	1	2,5	100
K0005.0501105	K0005.0511105	M5	15,4	8	18	13	11,2	17	52,3	59,1	1	2,5	100
K0005.1501105	K0005.1511105	M5	18,1	9	21,5	15	14,5	22	70,4	79,2	1,2	4	120
K0005.1501106	K0005.1511106	M6	18,1	9	21,5	15	14,5	22	70,4	79,2	1,2	4	120
K0005.2501108	K0005.2511108	M8	27,1	11	33,3	24	18	28,5	96	108	1,5	8	350

## KIPP Cam levers with internal thread, grip red

Order No. steel	Order No. stainless steel	D	D1	D2	B	B1	H	H1	A	A1	Stroke S	Clamping force F (kN)	Hand force FH N
K0005.9501403	K0005.9511403	M3	12	6	14,4	11,5	9	13	36,2	41,7	1	1,5	90
K0005.9501404	K0005.9511404	M4	12	6	14,4	11,5	9	13	36,2	41,7	1	1,5	90
K0005.0501404	K0005.0511404	M4	15,4	8	18	13	11,2	17	52,3	59,1	1	2,5	100
K0005.0501405	K0005.0511405	M5	15,4	8	18	13	11,2	17	52,3	59,1	1	2,5	100
K0005.1501405	K0005.1511405	M5	18,1	9	21,5	15	14,5	22	70,4	79,2	1,2	4	120
K0005.1501406	K0005.1511406	M6	18,1	9	21,5	15	14,5	22	70,4	79,2	1,2	4	120
K0005.2501408	K0005.2511408	M8	27,1	11	33,3	24	18	28,5	96	108	1,5	8	350

## KIPP Cam levers with external thread, grip black

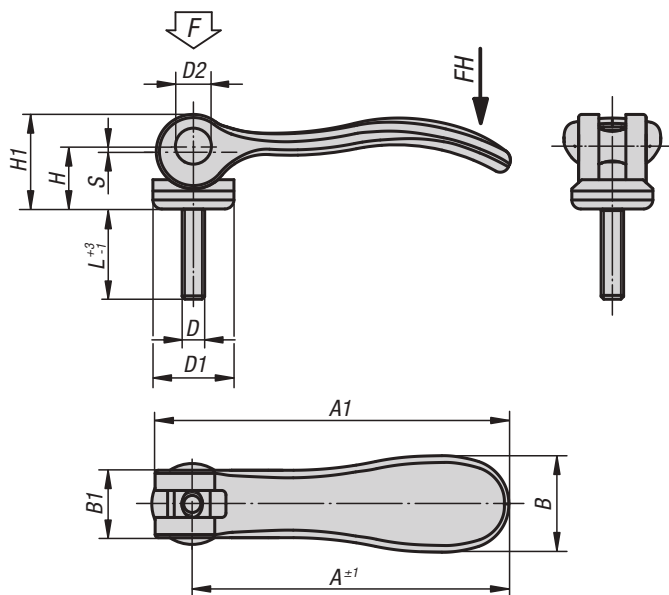
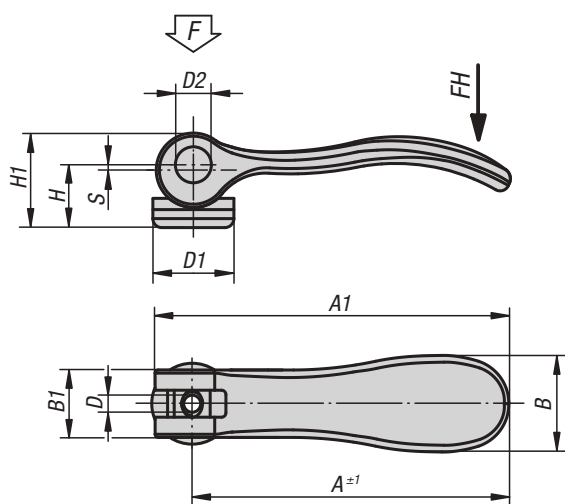
Order No. steel	Order No. stainless steel	D	D1	D2	B	B1	H	H1	A	A1	L	Stroke S	Clamping force F (kN)	Hand force FH N
K0005.9501103X	K0005.9511103X	M3	12	6	14,4	11,5	9	13	36,2	41,7	10/15/30	1	1,5	90
K0005.9501104X	K0005.9511104X	M4	12	6	14,4	11,5	9	13	36,2	41,7	10/15/30	1	1,5	90
K0005.0501104X	K0005.0511104X	M4	15,4	8	18	13	11,2	17	52,3	59,1	15/20/30	1	2,5	100
K0005.0501105X	K0005.0511105X	M5	15,4	8	18	13	11,2	17	52,3	59,1	20/30/40/50	1	2,5	100
K0005.1501105X	K0005.1511105X	M5	18,1	9	21,5	15	14,5	22	70,4	79,2	20/30/40/50	1,2	4	120
K0005.1501106X	K0005.1511106X	M6	18,1	9	21,5	15	14,5	22	70,4	79,2	20/30/40/50	1,2	4	120
K0005.2501108X	K0005.2511108X	M8	27,1	11	33,3	24	18	28,5	96	108	25/30/40/50	1,5	8	350
K0005.2501110X	K0005.2511110X	M10	27,1	11	33,3	24	18	28,5	96	108	25/30/40/50	1,5	8	350

## KIPP Cam levers with external thread, grip red

Order No. steel	Order No. stainless steel	D	D1	D2	B	B1	H	H1	A	A1	L	Stroke S	Clamping force F (kN)	Hand force FH N
K0005.9501403X	K0005.9511403X	M3	12	6	14,4	11,5	9	13	36,2	41,7	10/15/30	1	1,5	90
K0005.9501404X	K0005.9511404X	M4	12	6	14,4	11,5	9	13	36,2	41,7	10/15/30	1	1,5	90
K0005.0501404X	K0005.0511404X	M4	15,4	8	18	13	11,2	17	52,3	59,1	15/20/30	1	2,5	100
K0005.0501405X	K0005.0511405X	M5	15,4	8	18	13	11,2	17	52,3	59,1	20/30/40/50	1	2,5	100
K0005.1501405X	K0005.1511405X	M5	18,1	9	21,5	15	14,5	22	70,4	79,2	20/30/40/50	1,2	4	120
K0005.1501406X	K0005.1511406X	M6	18,1	9	21,5	15	14,5	22	70,4	79,2	20/30/40/50	1,2	4	120
K0005.2501408X	K0005.2511408X	M8	27,1	11	33,3	24	18	28,5	96	108	25/30/40/50	1,5	8	350
K0005.2501410X	K0005.2511410X	M10	27,1	11	33,3	24	18	28,5	96	108	25/30/40/50	1,5	8	350

# Cam levers

internal and external thread, steel



**Material:**

Handle steel 1.0401.  
 Thrust washer plastic PA 66 GF 35-X fibreglass reinforced.  
 Hinge pin stainless steel 1.4305.  
 Stud and washer steel, grade 5.8.

**Version:**

Handle, stud and washer blue passivated.  
 Thrust washer black.  
 Hinge pin bright.

**Sample order:**

K0788.1502205

**Note:**

Plastics are subject to creeping under load (retardation).



# Cam levers

internal and external thread, steel



## KIPP Cam levers with internal thread, steel

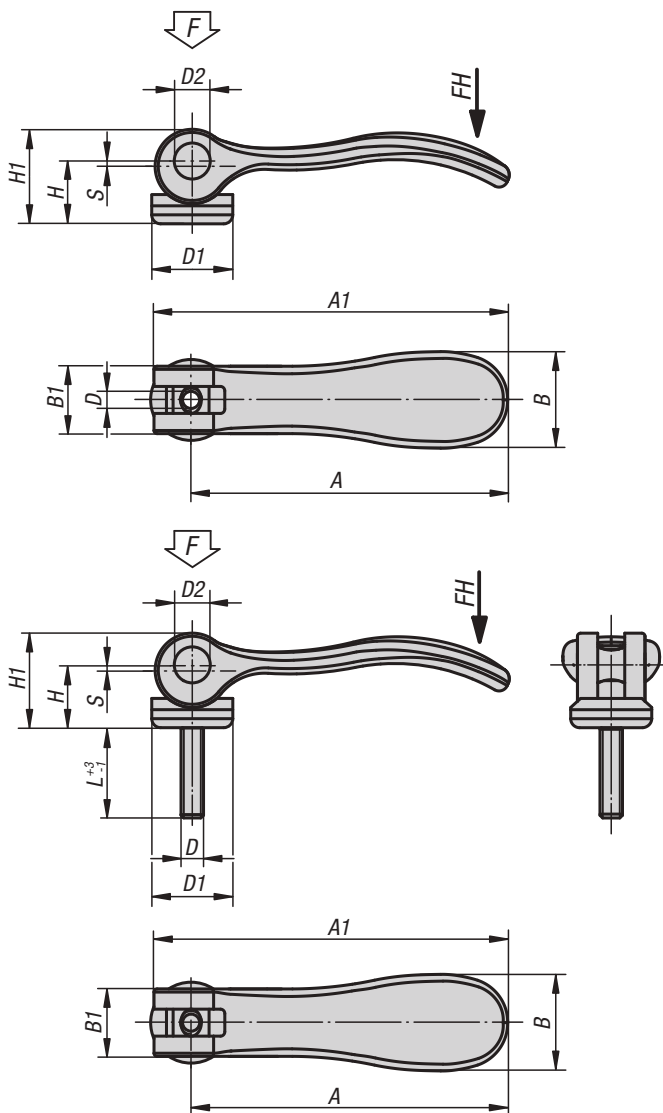
Order No.	Size	D	D1	D2	B	B1	H	H1	A	A1	Stroke S	Clamping force F (kN)	Hand force FH N
K0788.1502205	1	M5	18,1	9	21,5	15	14,5	22	70,4	79,2	1,2	4	120
K0788.1502206	1	M6	18,1	9	21,5	15	14,5	22	70,4	79,2	1,2	4	120
K0788.2502208	2	M8	27,1	11	33,2	24	18	28,5	96	108	1,5	8	350

## KIPP Cam levers with external thread, steel

Order No.	Size	D	D1	D2	B	B1	H	H1	A	A1	L	Stroke S	Clamping force F (kN)	Hand force FH N
K0788.1502205X	1	M5	18,1	9	21,5	15	14,5	22	70,4	79,2	20/30/40/50	1,2	4	120
K0788.1502206X	1	M6	18,1	9	21,5	15	14,5	22	70,4	79,2	20/30/40/50	1,2	4	120
K0788.2502208X	2	M8	27,1	11	33,2	24	18	28,5	96	108	25/30/40/50	1,5	8	350
K0788.2502210X	2	M10	27,1	11	33,2	24	18	28,5	96	108	25/30/40/50	1,5	8	350

# Cam levers

internal and external thread, stainless steel



**Material:**

Handles 1.4308.  
 Thrust washer plastic PA 66 GF 35-X fibreglass reinforced.  
 Hinge pin, washer and screw 1.4305.

**Version:**

Handle electropolished or blasted.  
 Thrust washer black.  
 Hinge pin, washer and screw bright.

**Sample order:**

K0645.1512005X20 (include length L)

**Note:**

Plastics are subject to creeping under load (retardation).

# Cam levers

internal and external thread, stainless steel



## KIPP Cam levers with internal thread, stainless steel

Order No.	Surface	D	D1	D2	B	B1	H	H1	A	A1	Stroke S	Clamping force F (kN)	Hand force FH N
K0645.9512003	electropolished	M3	12	6	14,4	11,5	9	13	36,2	41,7	1	1,5	90
K0645.9512004	electropolished	M4	12	6	14,4	11,5	9	13	36,2	41,7	1	1,5	90
K0645.0512004	electropolished	M4	15,4	8	18	13	11,2	17	52,3	59,1	1	2,5	100
K0645.0512005	electropolished	M5	15,4	8	18	13	11,2	17	52,3	59,1	1	2,5	100
K0645.1512005	electropolished	M5	18,1	9	21,5	15	14,5	22	70,4	79,2	1,2	4	120
K0645.1512006	electropolished	M6	18,1	9	21,5	15	14,5	22	70,4	79,2	1,2	4	120
K0645.2512008	electropolished	M8	27,1	11	33,3	24	18	28,5	96	108	1,5	8	350
K0645.9512303	blasted	M3	12	6	14,4	11,5	9	13	36,2	41,7	1	1,5	90
K0645.9512304	blasted	M4	12	6	14,4	11,5	9	13	36,2	41,7	1	1,5	90
K0645.0512304	blasted	M4	15,4	8	18	13	11,2	17	52,3	59,1	1	2,5	100
K0645.0512305	blasted	M5	15,4	8	18	13	11,2	17	52,3	59,1	1	2,5	100
K0645.1512305	blasted	M5	18,1	9	21,4	15	14,5	22	70,4	79,2	1,2	4	120
K0645.1512306	blasted	M6	18,1	9	21,4	15	14,5	22	70,4	79,2	1,2	4	120
K0645.2512308	blasted	M8	27,1	11	33,3	24	18	28,5	96	108	1,5	8	350

## KIPP Cam levers with external thread, stainless steel

Order No.	Surface	D	D1	D2	B	B1	H	H1	A	A1	L	Stroke S	Clamping force F (kN)	Hand force FH N
K0645.9512003X	electropolished	M3	12	6	14,4	11,5	9	13	36,2	41,7	10/15/30	1	1,5	90
K0645.9512004X	electropolished	M4	12	6	14,4	11,5	9	13	36,2	41,7	10/15/30	1	1,5	90
K0645.0512004X	electropolished	M4	15,4	8	18	13	11,2	17	52,3	59,1	15/20/30	1	2,5	100
K0645.0512005X	electropolished	M5	15,4	8	18	13	11,2	17	52,3	59,1	20/30/40/50	1	2,5	100
K0645.1512005X	electropolished	M5	18,1	9	21,5	15	14,5	22	70,4	79,5	20/30/40/50	1,2	4	120
K0645.1512006X	electropolished	M6	18,1	9	21,5	15	14,5	22	70,4	79,5	20/30/40/50	1,2	4	120
K0645.2512008X	electropolished	M8	27,1	11	33,3	24	18	28,5	96	108	25/30/40/50	1,5	8	350
K0645.2512010X	electropolished	M10	27,1	11	33,3	24	18	28,5	96	108	25/30/40/50	1,5	8	350
K0645.9512303X	blasted	M3	12	6	14,4	11,5	9	13	36,2	41,7	10/15/30	1	1,5	90
K0645.9512304X	blasted	M4	12	6	14,4	11,5	9	13	36,2	41,7	10/15/30	1	1,5	90
K0645.0512304X	blasted	M4	15,4	8	18	13	11,2	17	52,3	59,1	15/20/30	1	2,5	100
K0645.0512305X	blasted	M5	15,4	8	18	13	11,2	17	52,3	59,1	20/30/40/50	1	2,5	100
K0645.1512305X	blasted	M5	18,1	9	21,4	15	14,5	22	70,4	79,2	20/30/40/50	1,2	4	120
K0645.1512306X	blasted	M6	18,1	9	21,4	15	14,5	22	70,4	79,2	20/30/40/50	1,2	4	120
K0645.2512308X	blasted	M8	27,1	11	33,3	24	18	28,5	96	108	25/30/40/50	1,5	8	350
K0645.2512310X	blasted	M10	27,1	11	33,3	24	18	28,5	96	108	25/30/40/50	1,5	8	350

# Cam levers, stainless steel

with internal or external thread, thrust washer stainless steel



### Material:

Handle 1.4308.

Thrust washer 1.4034 stainless steel, hardened.

Hinge pin and stud 1.4305 stainless steel.

### Version:

Handle electropolished or blasted.

Thrust washer, hinge pin and screw bright.

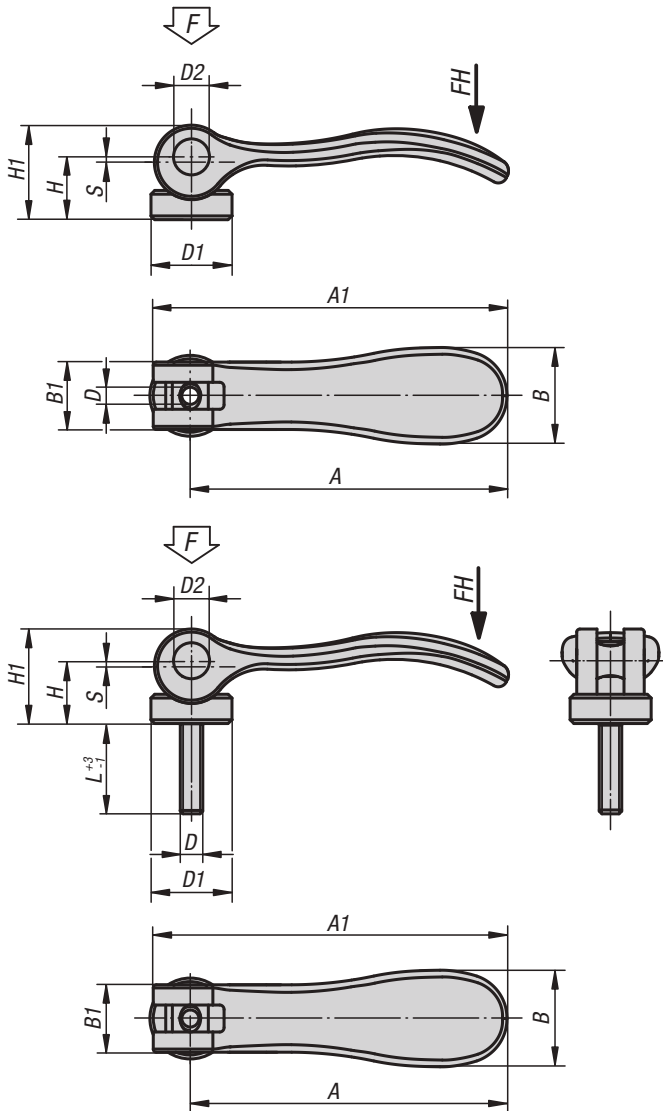
### Sample order:

K0645.0541005X20 (include length L)

### Note:

The thrust washer face is lightly greased before delivery.

The grease is FDA conform and is suitable for use in the foodstuff and pharmaceutical industries.



# Cam levers, stainless steel

with internal or external thread, thrust washer stainless steel



## KIPP Cam levers, stainless steel, with internal thread, thrust washer stainless steel

Order No. electropolished	Order No. blasted	D	D1	D2	B	B1	H	H1	A	A1	Stroke S	Clamping force F (kN)	Hand force FH N
K0645.9541003	K0645.9541303	M3	12	6	14,4	11,5	9	13,5	36,2	41,7	1	1,5	90
K0645.9541004	K0645.9541304	M4	12	6	14,4	11,5	9	13,5	36,2	41,7	1	1,5	90
K0645.0541004	K0645.0541304	M4	15,4	8	18	13	11,4	17,2	52,3	59,1	1	2,5	100
K0645.0541005	K0645.0541305	M5	15,4	8	18	13	11,4	17,2	52,3	59,1	1	2,5	100
K0645.1541005	K0645.1541305	M5	18	9	21,5	15	14,7	22	70,4	79,2	1,2	4	120
K0645.1541006	K0645.1541306	M6	18	9	21,5	15	14,7	22	70,4	79,2	1,2	4	120
K0645.2541008	K0645.2541308	M8	27	11	33,3	24	18,3	28,8	96	108	1,5	8	350

## KIPP Cam levers, stainless steel, with external thread, thrust washer stainless steel

Order No. electropolished	Order No. blasted	D	D1	D2	B	B1	H	H1	A	A1	L	Stroke S	Clamping force F (kN)	Hand force FH N
K0645.9541003X	K0645.9541303X	M3	12	6	14,4	11,5	9	13,5	36,2	41,7	10/15/30	1	1,5	90
K0645.9541004X	K0645.9541304X	M4	12	6	14,4	11,5	9	13,5	36,2	41,7	10/15/30	1	1,5	90
K0645.0541004X	K0645.0541304X	M4	15,4	8	18	13	11,4	17,2	52,3	59,1	15/20/30	1	2,5	100
K0645.0541005X	K0645.0541305X	M5	15,4	8	18	13	11,4	17,2	52,3	59,1	20/30/40/50	1	2,5	100
K0645.1541005X	K0645.1541305X	M5	18	9	21,5	15	14,7	22	70,4	79,5	20/30/40/50	1,2	4	120
K0645.1541006X	K0645.1541306X	M6	18	9	21,5	15	14,7	22	70,4	79,5	20/30/40/50	1,2	4	120
K0645.2541008X	K0645.2541308X	M8	27	11	33,3	24	18,3	28,8	96	108	25/30/40/50	1,5	8	350
K0645.2541010X	K0645.2541310X	M10	27	11	33,3	24	18,3	28,8	96	108	25/30/40/50	1,5	8	350

# Cam levers with plastic handle

internal and external thread, steel or stainless steel



**Material:**

Handles and thrust washer plastic PA 66 fibreglass reinforced.  
Hinge pins stainless steel 1.4305.  
Studs and washer steel grade 5.8 or stainless steel 1.4305.

**Version:**

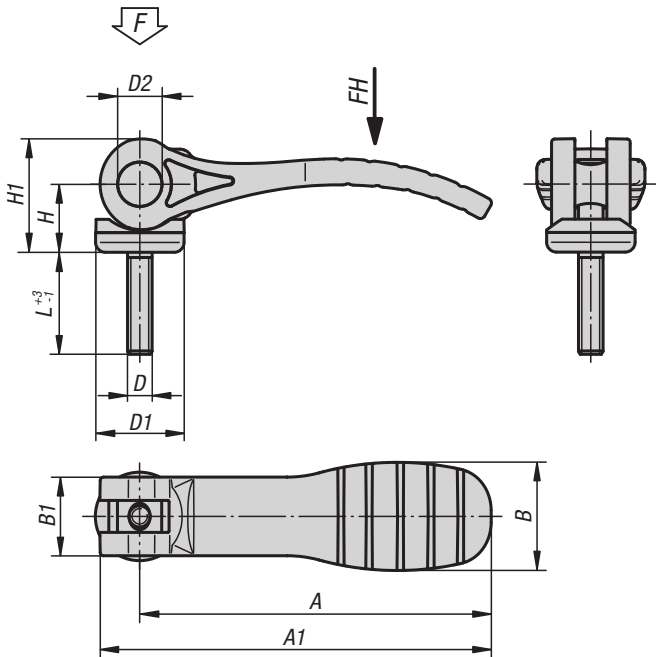
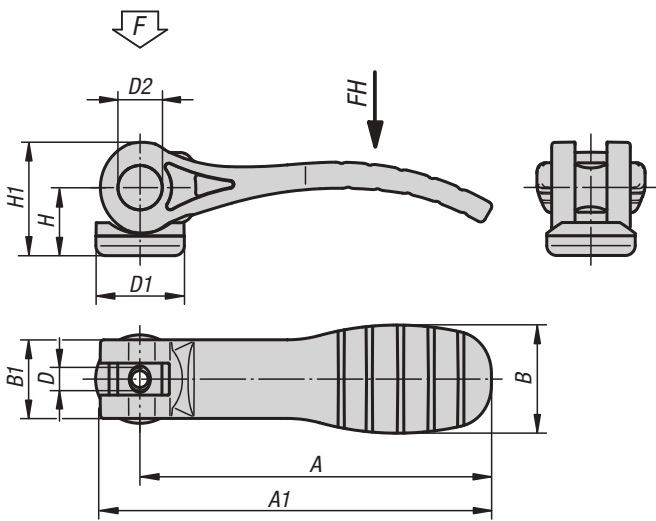
Grip black or traffic red RAL3020.  
Thrust washer black.  
Hinge pin blank.  
Stud and washer blue passivated or bright stainless steel.

**Sample order:**

K0646.1521105X20 (include length L)

**Note:**

Plastics are subject to creeping under load (retardation), this can cause reduced clamping force.



# Cam levers with plastic handle

internal and external thread, steel or stainless steel



## KIPP Cam levers with black plastic grip and internal thread

Order No. steel	Order No. stainless steel	D	D1	D2	B	B1	H	H1	A	A1	Travel	Clamping force F (kN)	Hand force FH N
K0646.1521105	K0646.1531105	M5	18,1	9	22	16	14	23,4	71,5	79,6	1,15	2,5	125
K0646.1521106	K0646.1531106	M6	18,1	9	22	16	14	23,4	71,5	79,6	1,15	2,5	125
K0646.2521108	K0646.2531108	M8	27,1	11	33	24,2	16,2	27,7	100	110	1,5	5	170

## KIPP Cam levers with red plastic grip and internal thread

Order No. steel	Order No. stainless steel	D	D1	D2	B	B1	H	H1	A	A1	Travel	Clamping force F (kN)	Hand force FH N
K0646.15218405	K0646.15318405	M5	18,1	9	22	16	14	23,4	71,5	79,6	1,15	2,5	125
K0646.15218406	K0646.15318406	M6	18,1	9	22	16	14	23,4	71,5	79,6	1,15	2,5	125
K0646.25218408	K0646.25318408	M8	27,1	11	33	24,2	16,2	27,7	100	110	1,5	5	170

## KIPP Cam levers with black plastic grip and external thread

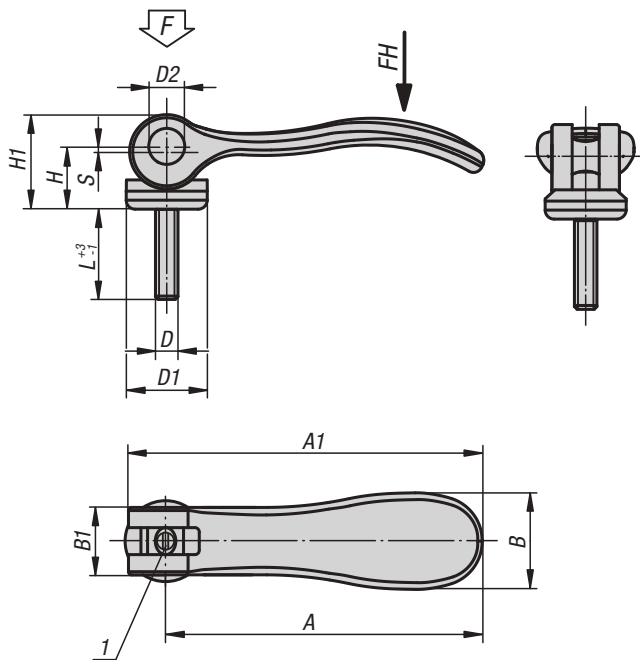
Order No. steel	Order No. stainless steel	D	D1	D2	B	B1	H	H1	A	A1	L	Travel	Clamping force F (kN)	Hand force FH N
K0646.1521105X	K0646.1531105X	M5	18,1	9	22	16	14	23,4	71,5	79,6	20/30/40/50	1,15	2,5	125
K0646.1521106X	K0646.1531106X	M6	18,1	9	22	16	14	23,4	71,5	79,6	20/30/40/50	1,15	2,5	125
K0646.2521108X	K0646.2531108X	M8	27,1	11	33	24,2	16,2	27,7	100	110	25/30/40/50	1,5	5	170
K0646.2521110X	K0646.2531110X	M10	27,1	11	33	24,2	16,2	27,7	100	110	25/30/40/50	1,5	5	170

## KIPP Cam levers with red plastic grip and external thread

Order No. steel	Order No. stainless steel	D	D1	D2	B	B1	H	H1	A	A1	L	Travel	Clamping force F (kN)	Hand force FH N
K0646.15218405X	K0646.15318405X	M5	18,1	9	22	16	14	23,4	71,5	79,6	20/30/40/50	1,15	2,5	125
K0646.15218406X	K0646.15318406X	M6	18,1	9	22	16	14	23,4	71,5	79,6	20/30/40/50	1,15	2,5	125
K0646.25218408X	K0646.25318408X	M8	27,1	11	33	24,2	16,2	27,7	100	110	25/30/40/50	1,5	5	170
K0646.25218410X	K0646.25318410X	M10	27,1	11	33	24,2	16,2	27,7	100	110	25/30/40/50	1,5	5	170

# Cam levers adjustable

external thread, steel or stainless steel



### Material:

Handles cast aluminium EN AC-46200.

Thrust washer plastic PA 66 GF 35-X fibreglass reinforced.

Hinge pins stainless steel 1.4305.

Studs and washer steel grade 5.8 or stainless steel 1.4305.

### Version:

Handles fine structured powder-coated, black or red RAL 3003.

Thrust washer black.

Hinge pin bright.

Studs and washer blue passivated steel or bright stainless steel.

### Sample order:

K0006.9501103X10 (include length L)

### Note:

Adjustable cam levers are used if the position of the lever relative to the axis of tension only permits one specific position (interference circle). The exact position of the lever is adjusted using a screwdriver on the fine thread setscrew.

Plastics are subject to creeping under load (retardation).

### Drawing reference:

1) setscrew for fine adjustment of lever



# Cam levers adjustable

external thread, steel or stainless steel



## KIPP Adjustable cam levers with external thread, grip black

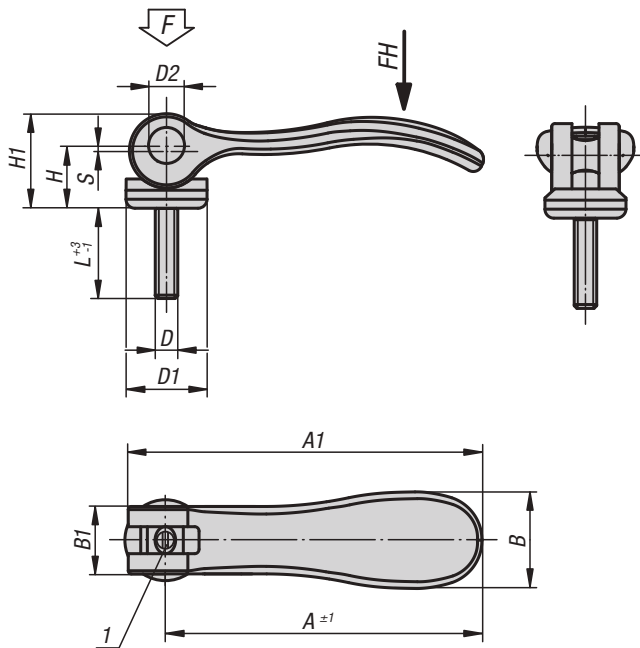
Order No. steel	Order No. stainless steel	D	D1	D2	B	B1	H	H1	A	A1	L	Stroke S	Clamping force F (kN)	Hand force FH N
K0006.9501103X	K0006.9511103X	M3	12	6	14,4	11,5	9	13	36,2	41,7	10/15/30	1	1,5	90
K0006.9501104X	K0006.9511104X	M4	12	6	14,4	11,5	9	13	36,2	41,7	10/15/30	1	1,5	90
K0006.0501104X	K0006.0511104X	M4	15,4	8	18	13	11,2	17	52,3	59,1	15/20/30	1	2,5	100
K0006.0501105X	K0006.0511105X	M5	15,4	8	18	13	11,2	17	52,3	59,1	20/30/40/50	1	2,5	100
K0006.1501105X	K0006.1511105X	M5	18,1	9	21,5	15	14,5	22	70,4	79,2	20/30/40/50	1,2	4	120
K0006.1501106X	K0006.1511106X	M6	18,1	9	21,5	15	14,5	22	70,4	79,2	20/30/40/50	1,2	4	120
K0006.2501108X	K0006.2511108X	M8	27,1	11	33,3	24	18	28,5	96	108	25/30/40/50	1,5	8	350
K0006.2501110X	K0006.2511110X	M10	27,1	11	33,3	24	18	28,5	96	108	25/30/40/50	1,5	8	350

## KIPP Adjustable cam levers with external thread, grip red

Order No. steel	Order No. stainless steel	D	D1	D2	B	B1	H	H1	A	A1	L	Stroke S	Clamping force F (kN)	Hand force FH N
K0006.9501403X	K0006.9511403X	M3	12	6	14,4	11,5	9	13	36,2	41,7	10/15/30	1	1,5	90
K0006.9501404X	K0006.9511404X	M4	12	6	14,4	11,5	9	13	36,2	41,7	10/15/30	1	1,5	90
K0006.0501404X	K0006.0511404X	M4	15,4	8	18	13	11,2	17	52,3	59,1	15/20/30	1	2,5	100
K0006.0501405X	K0006.0511405X	M5	15,4	8	18	13	11,2	17	52,3	59,1	20/30/40/50	1	2,5	100
K0006.1501405X	K0006.1511405X	M5	18,1	9	21,5	15	14,5	22	70,4	79,2	20/30/40/50	1,2	4	120
K0006.1501406X	K0006.1511406X	M6	18,1	9	21,5	15	14,5	22	70,4	79,2	20/30/40/50	1,2	4	120
K0006.2501408X	K0006.2511408X	M8	27,1	11	33,3	24	18	28,5	96	108	25/30/40/50	1,5	8	350
K0006.2501410X	K0006.2511410X	M10	27,1	11	33,3	24	18	28,5	96	108	25/30/40/50	1,5	8	350

# Cam levers adjustable

external thread, steel



**Material:**

Handle steel 1.0401.  
 Thrust washer plastic PA 66 GF 35-X fibreglass reinforced.  
 Hinge pin stainless steel 1.4305.  
 Stud and washer steel, grade 5.8.

**Version:**

Handle, stud and washer blue passivated.  
 Thrust washer black.  
 Hinge pin bright.

**Sample order:**

K0789.1502205X20

**Note:**

Adjustable cam levers are used if the position of the lever relative to the axis of tension only permits one specific position (interference circle). The exact position of the lever is adjusted using a screwdriver on the fine thread setscrew. Plastics are subject to creeping under load (retardation).

**Drawing reference:**

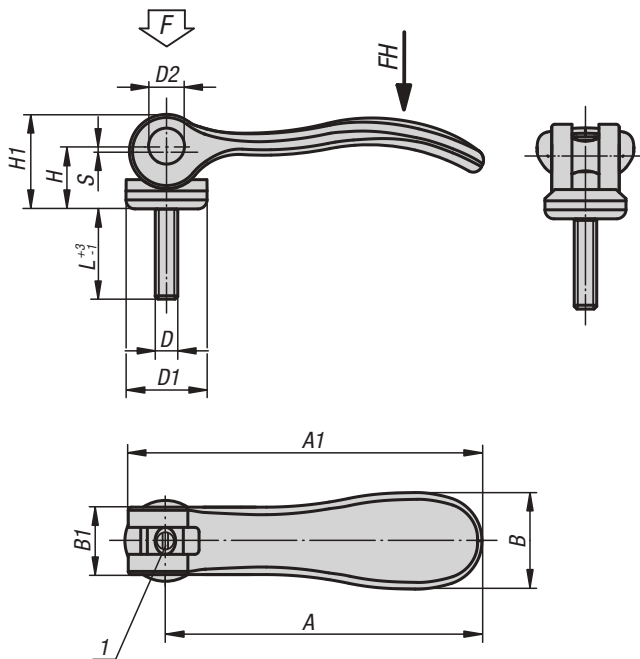
1) setscrew for fine adjustment of lever

**KIPP Cam levers, adjustable, external thread, steel**

Order No.	Size	D	D1	D2	B	B1	H	H1	A	A1	L	Stroke S	Clamping force F (kN)	Hand force FH N
K0789.1502205X	1	M5	18,1	9	21,5	15	14,5	22	70,4	79,2	20/30/40/50	1,2	4	120
K0789.1502206X	1	M6	18,1	9	21,5	15	14,5	22	70,4	79,2	20/30/40/50	1,2	4	120
K0789.2502208X	2	M8	27,1	11	33,2	24	18	28,5	96	108	25/30/40/50	1,5	8	350
K0789.2502210X	2	M10	27,1	11	33,2	24	18	28,5	96	108	25/30/40/50	1,5	8	350

## Cam levers adjustable

external thread, stainless steel



**Material:**

Handles 1.4308.

Thrust washer plastic PA 66 GF 35-X fibreglass reinforced.

Hinge pin, washer and screw 1.4305.

**Version:**

Handle electropolished or blasted.

Thrust washer black.

Hinge pin, washer and screw bright.

**Sample order:**

K0647.1512005X20 (include length L)

**Note:**

Adjustable cam levers are used if the position of the lever relative to the axis of tension only permits one specific position (interference circle). The exact position of the lever is adjusted using a screwdriver on the fine thread setscrew. Plastics are subject to creeping under load (retardation).

**Drawing reference:**

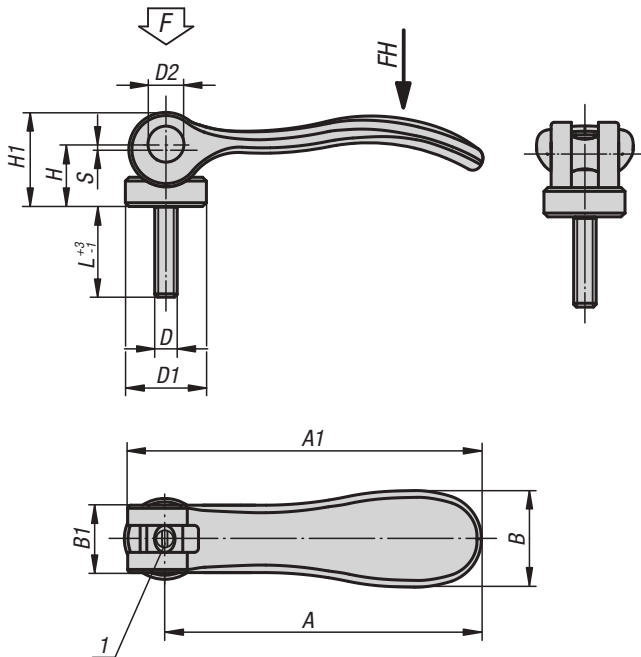
1) setscrew for fine adjustment of lever

### KIPP Cam levers, adjustable, external thread, stainless steel

Order No.	Surface	D	D1	D2	B	B1	H	H1	A	A1	L	Stroke S	Clamping force F (kN)	Hand force FH N
K0647.9512003X	electropolished	M3	12	6	14,4	11,5	9	13	36,2	41,7	10/15/30	1	1,5	90
K0647.9512004X	electropolished	M4	12	6	14,4	11,5	9	13	36,2	41,7	10/15/30	1	1,5	90
K0647.0512004X	electropolished	M4	15,4	8	18	13	11,2	17	52,3	59,1	15/20/30	1	2,5	100
K0647.0512005X	electropolished	M5	15,4	8	18	13	11,2	17	52,3	59,1	20/30/40/50	1	2,5	100
K0647.1512005X	electropolished	M5	18,1	9	21,5	15	14,5	22	70,4	79,2	20/30/40/50	1,2	4	120
K0647.1512006X	electropolished	M6	18,1	9	21,5	15	14,5	22	70,4	79,2	20/30/40/50	1,2	4	120
K0647.2512008X	electropolished	M8	27,1	11	33,3	24	18	28,5	96	108	25/30/40/50	1,5	8	350
K0647.2512010X	electropolished	M10	27,1	11	33,3	24	18	28,5	96	108	25/30/40/50	1,5	8	350
K0647.9512303X	blasted	M3	12	6	14,4	11,5	9	13	36,2	41,7	10/15/30	1	1,5	90
K0647.9512304X	blasted	M4	12	6	14,4	11,5	9	13	36,2	41,7	10/15/30	1	1,5	90
K0647.0512304X	blasted	M4	15,4	8	18	13	11,2	17	52,3	59,1	15/20/30	1	2,5	100
K0647.0512305X	blasted	M5	15,4	8	18	13	11,2	17	52,3	59,1	20/30/40/50	1	2,5	100
K0647.1512305X	blasted	M5	18,1	9	21,4	15	14,5	22	70,4	79,2	20/30/40/50	1,2	4	120
K0647.1512306X	blasted	M6	18,1	9	21,4	15	14,5	22	70,4	79,2	20/30/40/50	1,2	4	120
K0647.2512308X	blasted	M8	27,1	11	33,3	24	18	28,5	96	108	25/30/40/50	1,5	8	350
K0647.2512310X	blasted	M10	27,1	11	33,3	24	18	28,5	96	108	25/30/40/50	1,5	8	350

## Cam levers adjustable

stainless steel, with external thread, thrust washer stainless steel



**Material:**

Handle 1.4308.  
Thrust washer 1.4034 stainless steel, hardened.  
Hinge pin and stud 1.4305 stainless steel.

**Version:**

Handle electropolished or blasted.  
Thrust washer, hinge pin and screw bright.

**Sample order:**

K0647.0541305X20 (include length L)

**Note:**

Adjustable cam levers are used when the position of the clamping lever relative to the clamping axis permits only one specific position (swing circle interference). The exact position of the clamping lever is adjusted with a screwdriver via the fine thread on the stud. The thrust washer face is lightly greased before delivery. The grease is FDA conform and is suitable for use in the foodstuff and pharmaceutical industries.

**Drawing reference:**

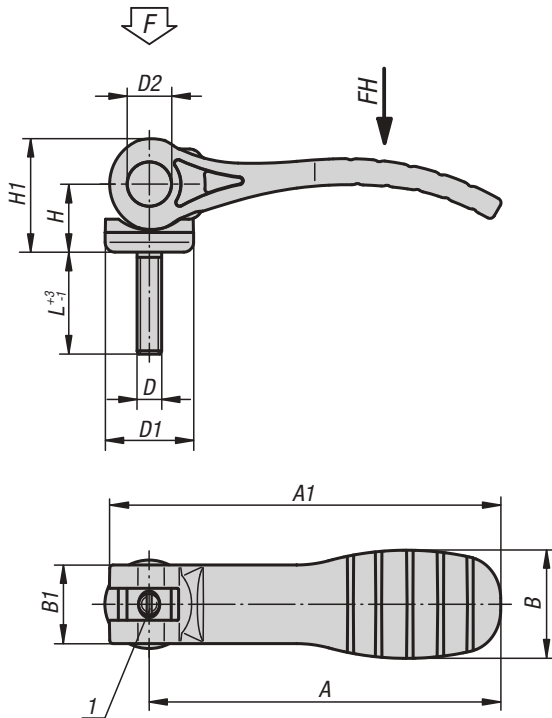
1) setscrew for fine adjustment of lever

### KIPP Cam levers adjustable, stainless steel, with external thread, thrust washer stainless steel

Order No. electropolished	Order No. blasted	D	D1	D2	B	B1	H	H1	A	A1	L	Stroke S	Clamping force F (kN)	Hand force FH N
K0647.9541003X	K0647.9541303X	M3	12	6	14,4	11,5	9	13,5	36,2	41,7	10/15/30	1	1,5	90
K0647.9541004X	K0647.9541304X	M4	12	6	14,4	11,5	9	13,5	36,2	41,7	10/15/30	1	1,5	90
K0647.0541004X	K0647.0541304X	M4	15,4	8	18	13	11,4	17,2	52,3	59,1	15/20/30	1	2,5	100
K0647.0541005X	K0647.0541305X	M5	15,4	8	18	13	11,4	17,2	52,3	59,1	20/30/40/50	1	2,5	100
K0647.1541005X	K0647.1541305X	M5	18	9	21,5	15	14,7	22	70,4	79,2	20/30/40/50	1,2	4	120
K0647.1541006X	K0647.1541306X	M6	18	9	21,5	15	14,7	22	70,4	79,2	20/30/40/50	1,2	4	120
K0647.2541008X	K0647.2541308X	M8	27	11	33,3	24	18,3	28,8	96	108	25/30/40/50	1,5	8	350
K0647.2541010X	K0647.2541310X	M10	27	11	33,3	24	18,3	28,8	96	108	25/30/40/50	1,5	8	350

## Cam levers adjustable with plastic handle

external thread, steel or stainless steel



**Material:**

Handles and thrust washer plastic PA 66 fibreglass reinforced.  
Hinge pins stainless steel 1.4305.  
Studs and washer steel grade 5.8 or stainless steel 1.4305.

**Version:**

Grip black or traffic red RAL3020.  
Thrust washer black.  
Hinge pin blank.  
Stud and washer blue passivated or bright stainless steel.

**Sample order:**

K0648.1521105X20 (include length L)

**Note:**

Adjustable cam levers are used if the position of the lever relative to the axis of tension only permits one specific position (interference circle). The exact position of the lever is adjusted using a screwdriver on the fine thread setscrew.  
Plastics are subject to creeping under load (retardation), this can cause reduced clamping force.

**Drawing reference:**

1) setscrew for fine adjustment of lever

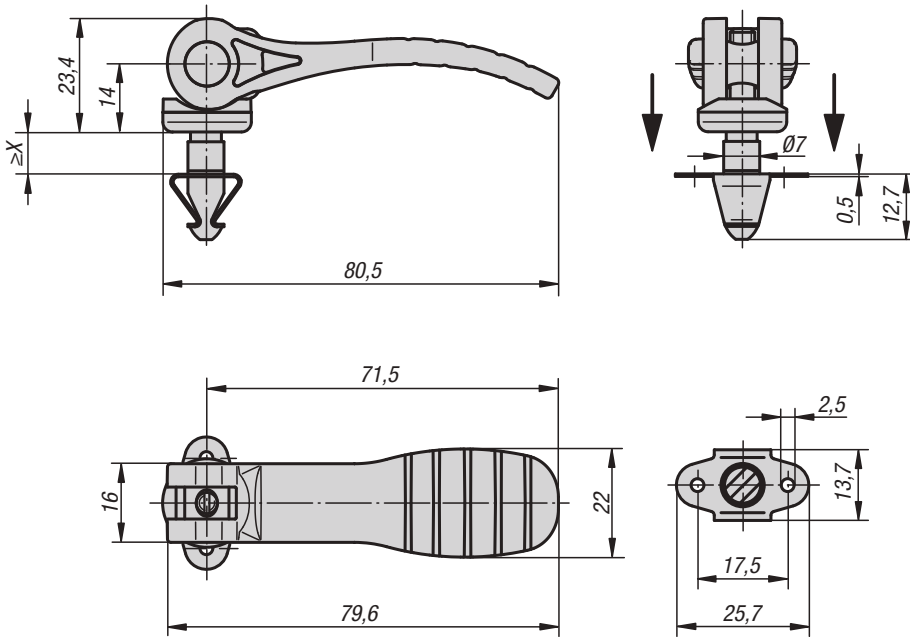
### KIPP Cam levers, adjustable with black plastic grip and external thread

Order No. steel	Order No. stainless steel	D	D1	D2	B	B1	H	H1	A	A1	L	Travel	Clamping force F (kN)	Hand force FH N
K0648.1521105X	K0648.1531105X	M5	18,1	9	22	16	14	23,4	71,5	79,6	20/30/40/50	1,15	2,5	125
K0648.1521106X	K0648.1531106X	M6	18,1	9	22	16	14	23,4	71,5	79,6	20/30/40/50	1,15	2,5	125
K0648.2521108X	K0648.2531108X	M8	27,1	11	33	24	16,2	27,7	100	110	25/30/40/50	1,5	5	170
K0648.2521110X	K0648.2531110X	M10	27,1	11	33	24	16,2	27,7	100	110	25/30/40/50	1,5	5	170

### KIPP Cam levers, adjustable with red plastic grip and external thread

Order No. steel	Order No. stainless steel	D	D1	D2	B	B1	H	H1	A	A1	L	Travel	Clamping force F (kN)	Hand force FH N
K0648.15218405X	K0648.15318405X	M5	18,1	9	22	16	14	23,4	71,5	79,6	20/30/40/50	1,15	2,5	125
K0648.15218406X	K0648.15318406X	M6	18,1	9	22	16	14	23,4	71,5	79,6	20/30/40/50	1,15	2,5	125
K0648.25218408X	K0648.25318408X	M8	27,1	11	33	24	16,2	27,7	100	110	25/30/40/50	1,5	5	170
K0648.25218410X	K0648.25318410X	M10	27,1	11	33	24	16,2	27,7	100	110	25/30/40/50	1,5	5	170

## Cam levers with quick lock



### Material, version:

Handle and thrust washer fibreglass reinforced PA66 plastic, black.

Hinge pins 1.4305 bright stainless steel. Locking pin 1.0718 blue passivated steel.

Spring clip passivated 1.4310 stainless steel.

### Sample order:

K0751.121107X2

### Note:

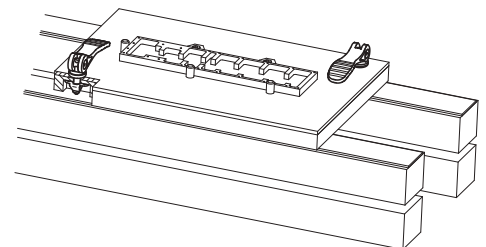
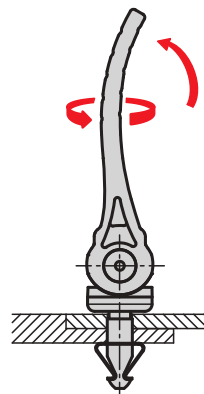
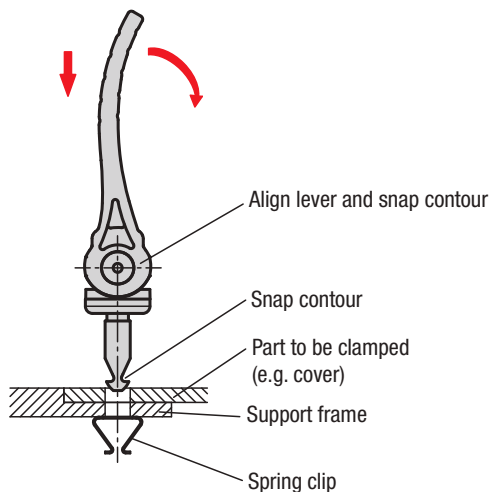
A sheet metal element can be positioned by engaging the spring clip. The sheet metal element is then clamped using the handle.

Plastics are subject to creeping under load (retardation), this can cause reduced clamping force.

## Installation instructions for cam levers with quick lock

Push in to install  
Swivel grip down to clamp

Swivel grip up and twist to loosen



## KIPP Cam levers with quick lock

Order No.	X Material thickness	Clamping force ca. N
K0751.121107X2	1,9 - 2,3	500
K0751.121107X4	3,9 - 4,3	500
K0751.121107X6	5,9 - 6,3	500
K0751.121107X8	7,9 - 8,3	500

## Cam lever with elastomer lock



**Material:**

Handle and thrust washer fibreglass reinforced plastic PA 66.  
Hinge pin stainless steel 1.4305.  
Stud and washer steel grade 5.8  
PUR elastomer spring.

**Version:**

Handles and thrust washer black.  
Hinge pins bright.  
Studs and washer blue passivated.  
Hexagon nuts with thread lock and thrust washer blue passivated.

**Sample order:**

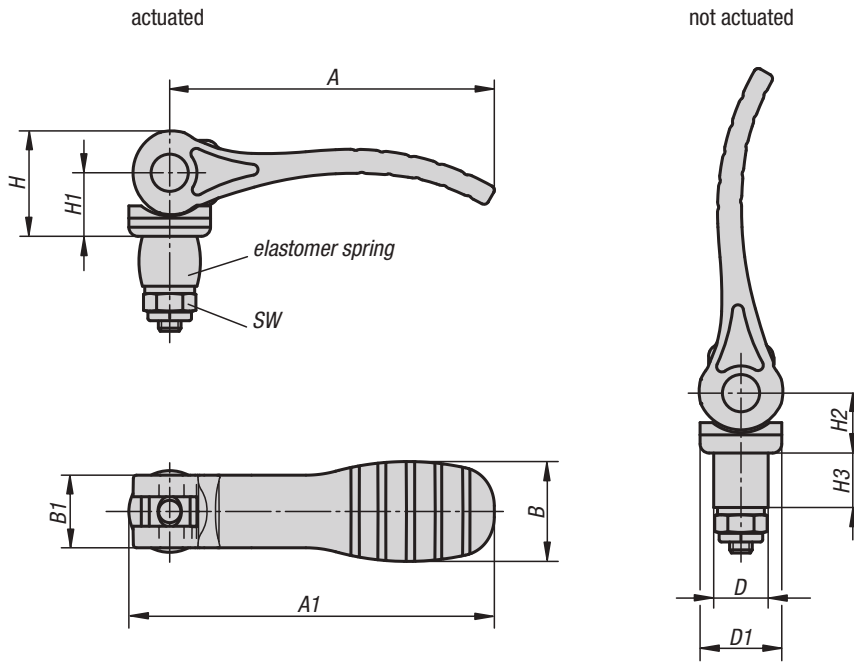
K0118.121112X12

**Note:**

Actuating the handle causes the elastomer spring to expand and form to the surrounding surface. The amount of expansion of the elastomer spring and hence the clamping force can be adjusted using the nut with clamping element. Simultaneously, the clamping element nut ensures that the preset clamping force remains unchanged when the clamp is released.

**Application:**

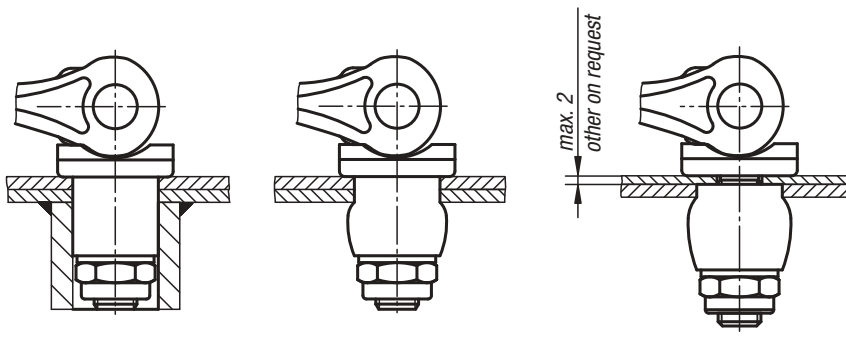
The specified holding forces are not suitable for constant loads. We would be happy to supply samples to test on your application.



Full bore clamping

Sheet metal clamping 1

Sheet metal clamping 2



### KIPP Cam levers with elastomer lock

Order No.	Size	D	D1	B	B1	H	H1	H2	H3	A	A1	SW	Clamping force ca. N clamp bore (no permanent load)	Clamping force ca. N plate clamping (no permanent load)
K0118.121112X12	1	12	18,1	22	16	23,2	14	12,85	12	71,5	79,6	10	100	50
K0118.121114X12	1	14	18,1	22	16	23,2	14	12,85	12	71,5	79,6	10	150	60
K0118.221116X20	2	16	27,1	33	24	27,8	16,2	14,7	20	99,9	110	13	350	60
K0118.221118X20	2	18	27,1	33	24	27,8	16,2	14,7	20	99,9	110	13	350	100
K0118.221120X20	2	20	27,1	33	24	27,8	16,2	14,7	20	99,9	110	16	350	100