

Technical information

Hinges



Hinges

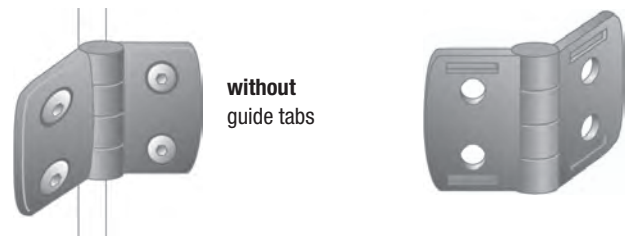
We have listed a wide range of hinges on the following pages. Many more combinations are possible where hinges with guide tabs are required i.e. when combining aluminium profiles with different slot widths.

Guide tabs

Many hinges can be supplied on request with guide tabs for the slots of aluminium profiles. They secure the hinge against twisting and make it stronger. The hinges are designed in such a way that the guide tabs can simply be broken out with a screwdriver.

Left and right hinge

Each lift-off hinge has a left and right version. Before ordering it should be known on which side the door or hatch is to be mounted.



without
guide tabs

Left hinge.

The left hinge half is fixed.
The hatch or door opens from right to left.



Right hinge.

The right hinge half is fixed.
The hatch or door opens from left to right.



Fixed hinge.

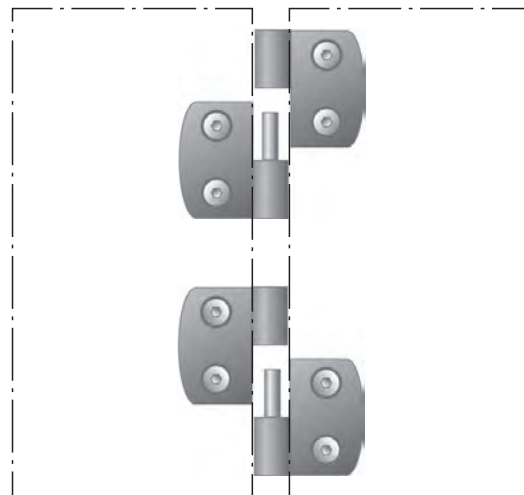
The hinge is non-liftoff.
It is suitable for opening left or right.



with
guide tabs
for aluminium
profiles with slot

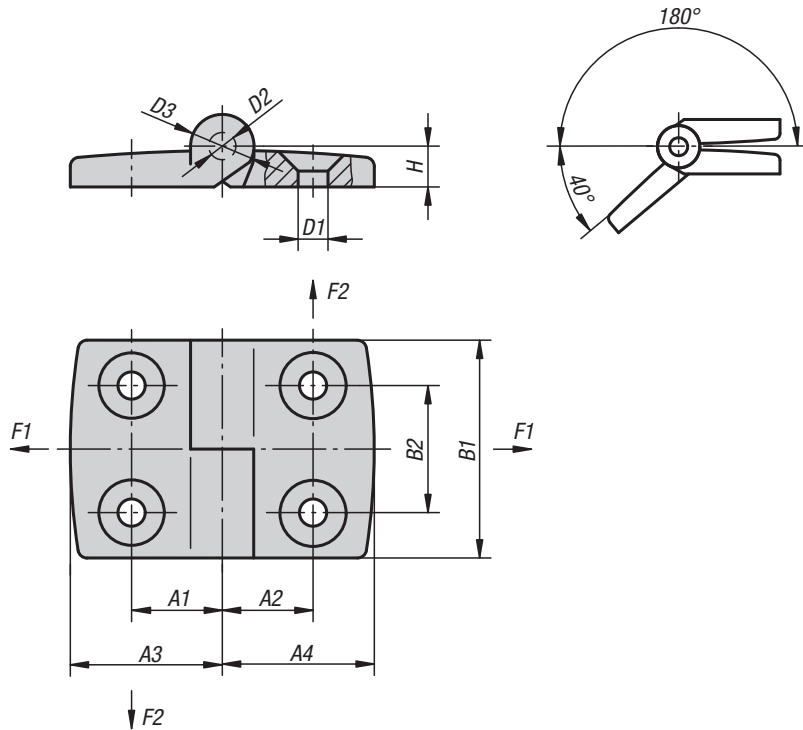
Tip

If you want to fit a door or hatch so that it cannot be lifted off, you can still use a left and right lift-off hinge. The two hinges are fitted in the end position and secure each other mutually.



Hinges

plastic, lift-off, left



Material:

Fibreglass reinforced thermoplastic.
Hinge pin stainless steel.

Version:

Hinge black. Pin bright.

Sample order:

K0434.1301825

Note:

All hinges can be supplied on request with guide tabs for the slots of aluminium profiles (slots 6, 8 and 10). They facilitate mounting, secure the hinge against twisting and make it stronger.

KIPP Hinges plastic, lift-off, left

Order No.	A1	A2	A3	A4	B1	B2	D1	D2	D3	H	F1 max. kN	F2 max. kN
K0434.1251515	15	15	26	26	48	28	6,6	6	14	9	0,625	0,425
K0434.1251518	15	17,5	26	29,5	48	28	6,6	6	14	9	0,7	0,5
K0434.1251520	15	20	26	35,5	48	28	6,6	6	14	9	0,7	0,4
K0434.1251523	15	22,5	26	38,5	48	28	6,6	6	14	9	0,8	0,35
K0434.1251525	15	25	26	43,5	48	28	6,6	6	14	9	0,8	0,325
K0434.1251528	15	27,5	26	48,5	48	28	6,6	6	14	9	0,8	0,32
K0434.1251533	15	32,5	26	57,5	48	28	6,6	6	14	9	0,8	0,24
K0434.1301815	17,5	15	29,5	26	48	28	6,6	6	14	9	0,75	0,45
K0434.1301818	17,5	17,5	29,5	29,5	48	28	6,6	6	14	9	0,75	0,5
K0434.1301820	17,5	20	29,5	35,5	48	28	6,6	6	14	9	0,75	0,4
K0434.1301823	17,5	22,5	29,5	38,5	48	28	6,6	6	14	9	0,8	0,35
K0434.1301825	17,5	25	29,5	43,5	48	28	6,6	6	14	9	0,8	0,35
K0434.1301828	17,5	27,5	29,5	48,5	48	28	6,6	6	14	9	0,8	0,35
K0434.1301833	17,5	32,5	29,5	57,5	48	28	6,6	6	14	9	0,8	0,24
K0434.1352015	20	15	35,5	26	48	28	6,6	6	14	9	0,75	0,4
K0434.1352018	20	17,5	35,5	29,5	48	28	6,6	6	14	9	0,75	0,5
K0434.1352020	20	20	35,5	35,5	48	28	6,6	6	14	9	0,75	0,4
K0434.1352023	20	22,5	35,5	38,5	48	28	6,6	6	14	9	0,8	0,35
K0434.1352025	20	25	35,5	43,5	48	28	6,6	6	14	9	0,8	0,35
K0434.1352028	20	27,5	35,5	48,5	48	28	6,6	6	14	9	0,9	0,35
K0434.1352033	20	32,5	35,5	57,5	48	28	6,6	6	14	9	0,8	0,24

Hinges

plastic, lift-off, left

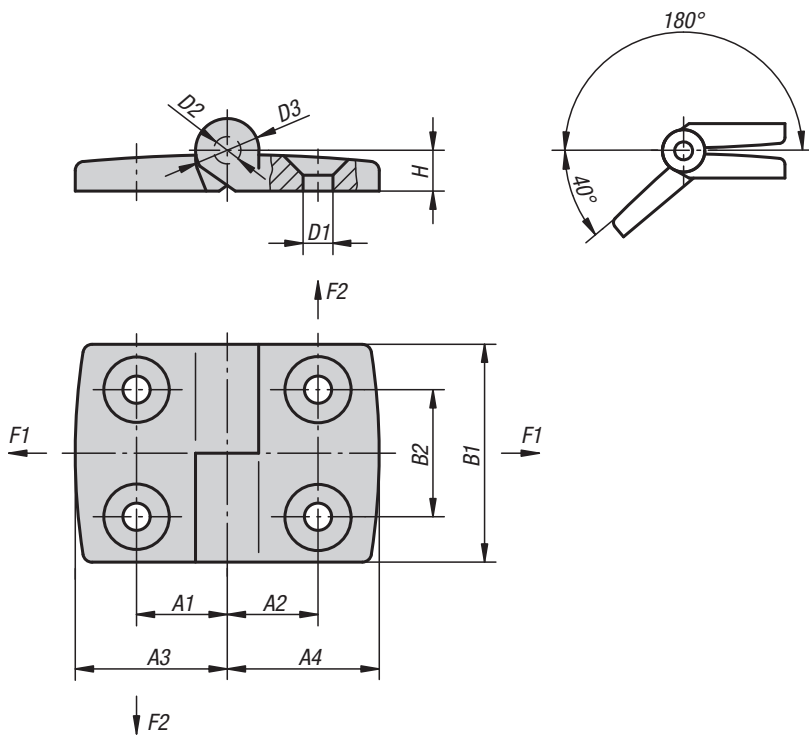


KIPP Hinges plastic, lift-off, left

Order No.	A1	A2	A3	A4	B1	B2	D1	D2	D3	H	F1 max. kN	F2 max. kN
K0434.1402315	22,5	15	38,5	26	48	28	6,6	6	14	9	0,65	0,425
K0434.1402318	22,5	17,5	38,5	29,5	48	28	6,6	6	14	9	0,75	0,5
K0434.1402320	22,5	20	38,5	35,5	48	28	6,6	6	14	9	0,75	0,4
K0434.1402323	22,5	22,5	38,5	38,5	48	28	6,6	6	14	9	0,8	0,4
K0434.1402325	22,5	25	38,5	43,5	48	28	6,6	6	14	9	0,8	0,35
K0434.1402328	22,5	27,5	38,5	48,5	48	28	6,6	6	14	9	0,8	0,35
K0434.1402333	22,5	32,5	38,5	57,5	48	28	6,6	6	14	9	0,8	0,24
K0434.1452515	25	15	43,5	26	48	28	6,6	6	14	9	0,65	0,425
K0434.1452518	25	17,5	43,5	29,5	48	28	6,6	6	14	9	0,75	0,5
K0434.1452520	25	20	43,5	35,5	48	28	6,6	6	14	9	0,7	0,4
K0434.1452523	25	22,5	43,5	38,5	48	28	6,6	6	14	9	0,8	0,35
K0434.1452525	25	25	43,5	43,5	48	28	6,6	6	14	9	0,8	0,325
K0434.1452528	25	27,5	43,5	48,5	48	28	6,6	6	14	9	0,8	0,32
K0434.1452533	25	32,5	43,5	57,5	48	28	6,6	6	14	9	0,8	0,24
K0434.1502815	27,5	15	48,5	26	48	28	6,6	6	14	9	0,65	0,425
K0434.1502818	27,5	17,5	48,5	29,5	48	28	6,6	6	14	9	0,75	0,5
K0434.1502820	27,5	20	48,5	35,5	48	28	6,6	6	14	9	0,7	0,4
K0434.1502823	27,5	22,5	48,5	38,5	48	28	6,6	6	14	9	0,8	0,35
K0434.1502825	27,5	25	48,5	43,5	48	28	6,6	6	14	9	0,8	0,325
K0434.1502828	27,5	27,5	48,5	48,5	48	28	6,6	6	14	9	0,8	0,32
K0434.1502833	27,5	32,5	48,5	57,5	48	28	6,6	6	14	9	0,8	0,24
K0434.1603315	32,5	15	57,5	26	48	28	6,6	6	14	9	0,65	0,425
K0434.1603318	32,5	17,5	57,5	29,5	48	28	6,6	6	14	9	0,75	0,5
K0434.1603320	32,5	20	57,5	35,5	48	28	6,6	6	14	9	0,7	0,4
K0434.1603323	32,5	22,5	57,5	38,5	48	28	6,6	6	14	9	0,8	0,35
K0434.1603325	32,5	25	57,5	43,5	48	28	6,6	6	14	9	0,8	0,325
K0434.1603328	32,5	27,5	57,5	48,5	48	28	6,6	6	14	9	0,9	0,32
K0434.1603333	32,5	32,5	57,5	57,5	48	28	6,6	6	14	9	0,9	0,24

Hinges

plastic, lift-off, right



Material:

Fibreglass reinforced thermoplastic.
Hinge pin stainless steel.

Version:

Hinge black. Pin bright.

Sample order:

K0434.2251523

Note:

All hinges can be supplied on request with guide tabs for the slots of aluminium profiles (slots 6, 8 and 10). They facilitate mounting, secure the hinge against twisting and make it stronger.

KIPP Hinges plastic, lift-off, right

Order No.	A1	A2	A3	A4	B1	B2	D1	D2	D3	H	F1 max. kN	F2 max. kN
K0434.2251515	15	15	26	26	48	28	6,6	6	14	9	0,625	0,425
K0434.2251518	15	17,5	26	29,5	48	28	6,6	6	14	9	0,7	0,5
K0434.2251520	15	20	26	35,5	48	28	6,6	6	14	9	0,7	0,4
K0434.2251523	15	22,5	26	38,5	48	28	6,6	6	14	9	0,8	0,35
K0434.2251525	15	25	26	43,5	48	28	6,6	6	14	9	0,8	0,325
K0434.2251528	15	27,5	26	48,5	48	28	6,6	6	14	9	0,8	0,32
K0434.2251533	15	32,5	26	57,5	48	28	6,6	6	14	9	0,8	0,24
K0434.2301815	17,5	15	29,5	26	48	28	6,6	6	14	9	0,75	0,45
K0434.2301818	17,5	17,5	29,5	29,5	48	28	6,6	6	14	9	0,75	0,5
K0434.2301820	17,5	20	29,5	35,5	48	28	6,6	6	14	9	0,7	0,4
K0434.2301823	17,5	22,5	29,5	38,5	48	28	6,6	6	14	9	0,8	0,35
K0434.2301825	17,5	25	29,5	43,5	48	28	6,6	6	14	9	0,8	0,35
K0434.2301828	17,5	27,5	29,5	48,5	48	28	6,6	6	14	9	0,8	0,35
K0434.2301833	17,5	32,5	29,5	57,5	48	28	6,6	6	14	9	0,8	0,24
K0434.2352015	20	15	35,5	26	48	28	6,6	6	14	9	0,7	0,4
K0434.2352018	20	17,5	35,5	29,5	48	28	6,6	6	14	9	0,75	0,5
K0434.2352020	20	20	35,5	35,5	48	28	6,6	6	14	9	0,75	0,4
K0434.2352023	20	22,5	35,5	38,5	48	28	6,6	6	14	9	0,8	0,35
K0434.2352025	20	25	35,5	43,5	48	28	6,6	6	14	9	0,8	0,35
K0434.2352028	20	27,5	35,5	48,5	48	28	6,6	6	14	9	0,8	0,35
K0434.2352033	20	32,5	35,5	57,5	48	28	6,6	6	14	9	0,8	0,24
K0434.2402315	22,5	15	38,5	26	48	28	6,6	6	14	9	0,65	0,425
K0434.2402318	22,5	17,5	38,5	29,5	48	28	6,6	6	14	9	0,75	0,5
K0434.2402320	22,5	20	38,5	35,5	48	28	6,6	6	14	9	0,75	0,4

Hinges

plastic, lift-off, right

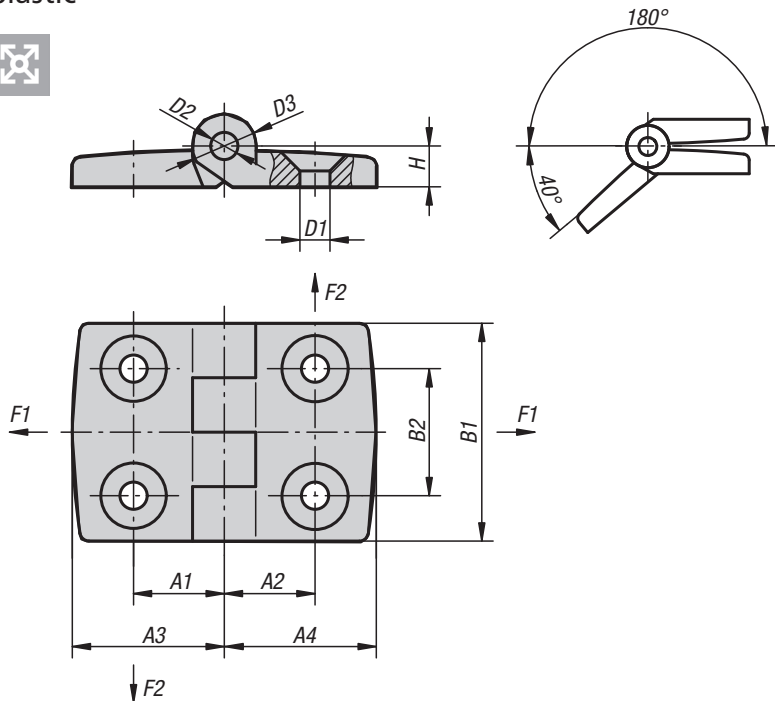


KIPP Hinges plastic, lift-off, right

Order No.	A1	A2	A3	A4	B1	B2	D1	D2	D3	H	F1 max. kN	F2 max. kN
K0434.2402323	22,5	22,5	38,5	38,5	48	28	6,6	6	14	9	0,8	0,35
K0434.2402325	22,5	25	38,5	43,5	48	28	6,6	6	14	9	0,8	0,35
K0434.2402328	22,5	27,5	38,5	48,5	48	28	6,6	6	14	9	0,8	0,35
K0434.2402333	22,5	32,5	38,5	57,5	48	28	6,6	6	14	9	0,8	0,24
K0434.2452515	25	15	43,5	26	48	28	6,6	6	14	9	0,65	0,425
K0434.2452518	25	17,5	43,5	29,5	48	28	6,6	6	14	9	0,75	0,5
K0434.2452520	25	20	43,5	35,5	48	28	6,6	6	14	9	0,7	0,4
K0434.2452523	25	22,5	43,5	38,5	48	28	6,6	6	14	9	0,8	0,35
K0434.2452525	25	25	43,5	43,5	48	28	6,6	6	14	9	0,8	0,325
K0434.2452528	25	27,5	43,5	48,5	48	28	6,6	6	14	9	0,8	0,32
K0434.2452533	25	32,5	43,5	57,5	48	28	6,6	6	14	9	0,8	0,24
K0434.2502815	27,5	15	48,5	26	48	28	6,6	6	14	9	0,65	0,425
K0434.2502818	27,5	17,5	48,5	29,5	48	28	6,6	6	14	9	0,75	0,5
K0434.2502820	27,5	20	48,5	35,5	48	28	6,6	6	14	9	0,7	0,4
K0434.2502823	27,5	22,5	48,5	38,5	48	28	6,6	6	14	9	0,8	0,35
K0434.2502825	27,5	25	48,5	43,5	48	28	6,6	6	14	9	0,8	0,325
K0434.2502828	27,5	27,5	48,5	48,5	48	28	6,6	6	14	9	0,8	0,32
K0434.2502833	27,5	32,5	48,5	57,5	48	28	6,6	6	14	9	0,8	0,24
K0434.2603315	32,5	15	57,5	26	48	28	6,6	6	14	9	0,65	0,425
K0434.2603318	32,5	17,5	57,5	29,5	48	28	6,6	6	14	9	0,75	0,5
K0434.2603320	32,5	20	57,5	35,5	48	28	6,6	6	14	9	0,7	0,4
K0434.2603323	32,5	22,5	57,5	38,5	48	28	6,6	6	14	9	0,8	0,35
K0434.2603325	32,5	25	57,5	43,5	48	28	6,6	6	14	9	0,8	0,325
K0434.2603328	32,5	27,5	57,5	48,5	48	28	6,6	6	14	9	0,9	0,32
K0434.2603333	32,5	32,5	57,5	57,5	48	28	6,6	6	14	9	0,9	0,24

Hinges

plastic



Material:

Fibreglass reinforced thermoplastic.
Hinge pin stainless steel.

Version:

Hinge black. Pin bright.

Sample order:

K0435.251528

Note:

Unequal leaf hinges can be mounted left or right.
All hinges can be supplied on request with guide tabs for the slots of aluminium profiles (slots 6, 8 and 10). They facilitate mounting, secure the hinge against twisting and make it stronger.

KIPP Hinges plastic

Order No.	A1	A2	A3	A4	B1	B2	D1	D2	D3	H	F1 max. kN	F2 max. kN
K0435.201212	11,5	11,5	19,5	19,5	30	14	4,2	3	8	5,5	0,4	0,2
K0435.251515	15	15	26	26	48	28	6,6	6	14	9	0,625	0,425
K0435.251518	15	17,5	26	29,5	48	28	6,6	6	14	9	0,7	0,5
K0435.251520	15	20	26	35,5	48	28	6,6	6	14	9	0,7	0,4
K0435.251523	15	22,5	26	38,5	48	28	6,6	6	14	9	0,8	0,35
K0435.251525	15	25	26	43,5	48	28	6,6	6	14	9	0,8	0,325
K0435.251528	15	27,5	26	48,5	48	28	6,6	6	14	9	0,8	0,32
K0435.251533	15	32,5	26	57,5	48	28	6,6	6	14	9	0,8	0,24
K0435.301818	17,5	17,5	29,5	29,5	48	28	6,6	6	14	9	0,7	0,4
K0435.301820	17,5	20	29,5	35,5	48	28	6,6	6	14	9	0,7	0,4
K0435.301823	17,5	22,5	29,5	38,5	48	28	6,6	6	14	9	0,75	0,45
K0435.301825	17,5	25	29,5	43,5	48	28	6,6	6	14	9	0,75	0,45
K0435.301828	17,5	27,5	29,5	48,5	48	28	6,6	6	14	9	0,9	0,425
K0435.301833	17,5	32,5	29,5	57,5	48	28	6,6	6	14	9	0,85	0,2
K0435.352020	20	20	35,5	35,5	48	28	6,6	6	14	9	0,7	0,4
K0435.352023	20	22,5	35,5	38,5	48	28	6,6	6	14	9	0,75	0,45
K0435.352025	20	25	35,5	43,5	48	28	6,6	6	14	9	0,75	0,45
K0435.352028	20	27,5	35,5	48,5	48	28	6,6	6	14	9	0,8	0,425
K0435.352033	20	32,5	35,5	57,5	48	28	6,6	6	14	9	0,8	0,175
K0435.402323	22,5	22,5	38,5	38,5	48	28	6,6	6	14	9	0,75	0,45
K0435.402325	22,5	25	38,5	43,5	48	28	6,6	6	14	9	0,75	0,45
K0435.402328	22,5	27,5	38,5	48,5	48	28	6,6	6	14	9	0,8	0,425
K0435.402333	22,5	32,5	38,5	57,5	48	28	6,6	6	14	9	0,85	0,175
K0435.452525	25	25	43,5	43,5	48	28	6,6	6	14	9	0,75	0,45
K0435.452528	25	27,5	43,5	48,5	48	28	6,6	6	14	9	0,8	0,425
K0435.452533	25	32,5	43,5	57,5	48	28	6,6	6	14	9	0,85	0,2
K0435.502828	27,5	27,5	48,5	48,5	48	28	6,6	6	14	9	0,8	0,425
K0435.502833	27,5	32,5	48,5	57,5	48	28	6,6	6	14	9	0,85	0,2
K0435.603333	32,5	32,5	57,5	57,5	48	28	6,6	6	14	9	0,85	0,175

Hinges

plastic, with locking lever



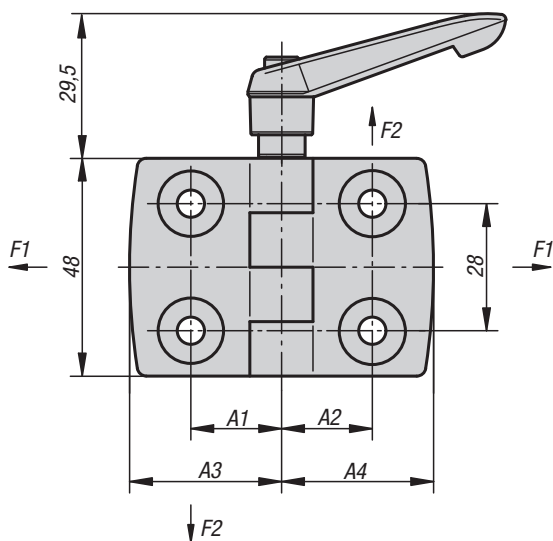
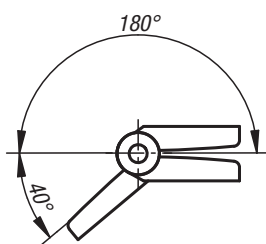
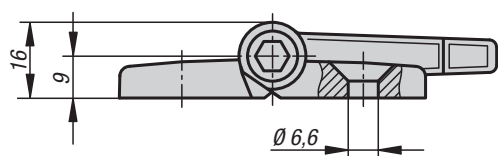
Material:
Hinge and lever fibreglass reinforced thermoplastic.
Hinge pin steel.
Mechanism steel.

Version:
Hinge black.
Pin galvanized.
Locking lever black.
Mechanism black galvanized.

Sample order:
K0436.251515

Note:
The indexable lever allows the hinge to be locked in any position.

On request:
Hinges with guide tabs (slot 6, 8 and 10) for aluminium profiles.
Unequal leaf combinations.

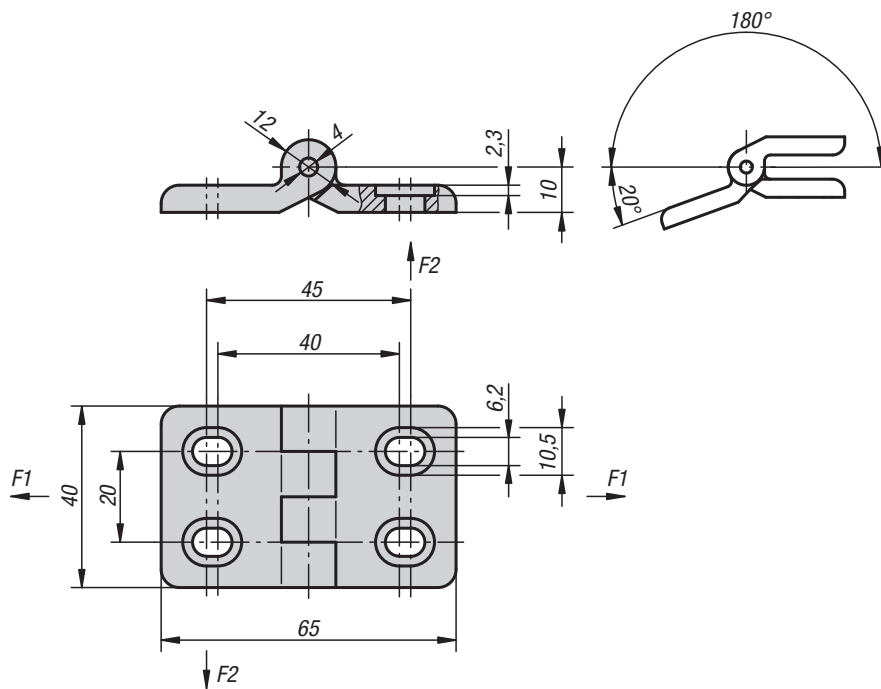


KIPP Hinges plastic with locking lever

Order No.	A1	A2	A3	A4	F1 max. kN	F2 max. kN
K0436.251515	15	15	26	26	0,5	0,38
K0436.301818	17,5	17,5	29,5	29,5	0,7	0,4
K0436.352020	20	20	36	36	0,7	0,4
K0436.402323	22,5	22,5	38,5	38,5	0,75	0,45
K0436.452525	25	25	43,5	43,5	0,75	0,45
K0436.502828	27,5	27,5	48,5	48,5	0,8	0,425
K0436.603333	32,5	32,5	57,5	57,5	0,85	0,175

Hinges

plastic, with elongated holes



Material:

Fibreglass reinforced thermoplastic.
Hinge pin stainless steel.

Version:

Hinge black. Pin bright.

Sample order:

K0437.402020

Note:

Elongated holes allow easy horizontal adjustment.

KIPP Hinge plastic, with elongated holes

Order No.	F1 max. kN	F2 max. kN
K0437.402020	0,5	0,3

Hinges

plastic, lift-off, with guide tabs



Material:

Fibreglass reinforced thermoplastic.
Hinge pin stainless steel.
Washer thermoplastic.

Version:

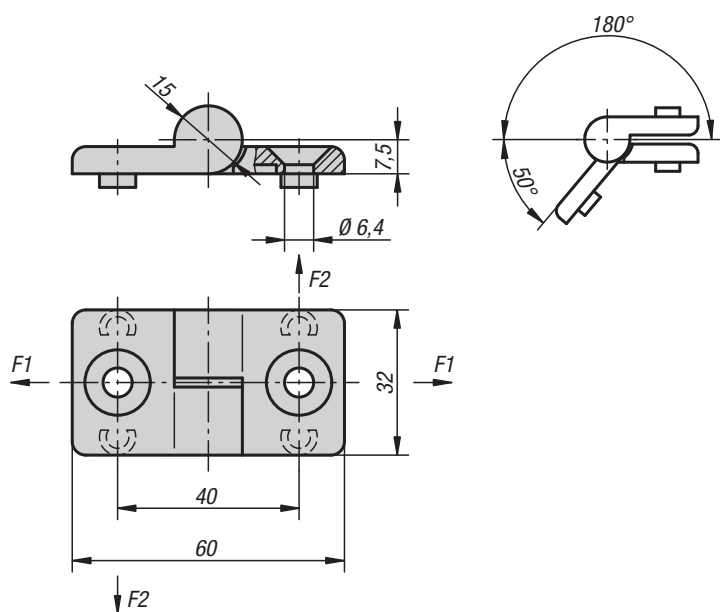
Hinge and washer black. Pin bright.

Sample order:

K0438.1322020

Note:

The guide tabs permit the hinges to be mounted in slots (8 mm).

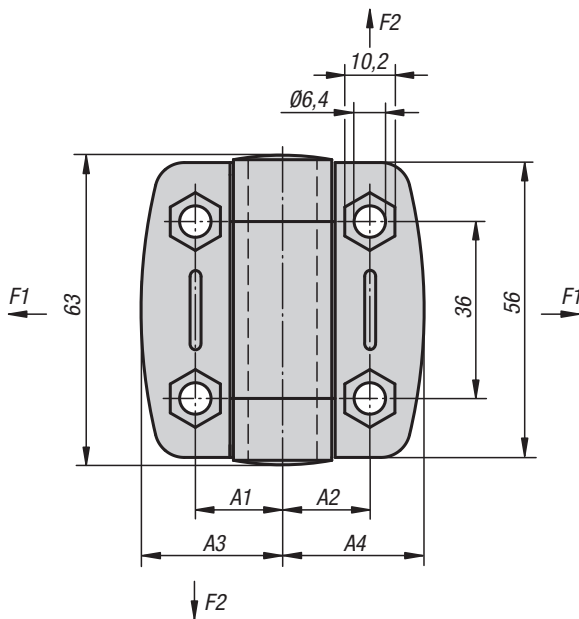
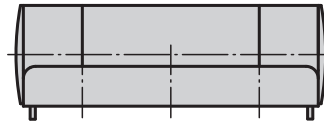
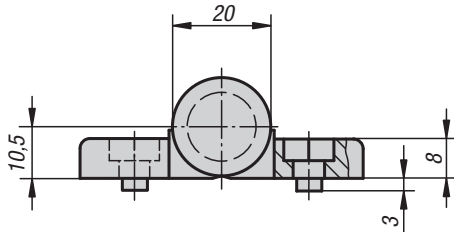


KIPP Hinges, plastic, lift-off, with guide tabs

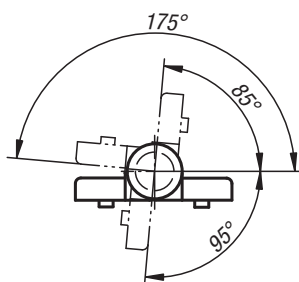
Order No.	Version	F1 max. kN	F2 max. kN
K0438.1322020	left	0,2	0,1
K0438.2322020	right	0,2	0,1

Hinges

plastic, with detent



indexed positions



Material:

Hinge and caps fibreglass reinforced PA thermoplastic.
Hinge pin stainless steel.

Version:

Hinge and caps black.
Pin bright.

Sample order:

K0439.56181800

Note:

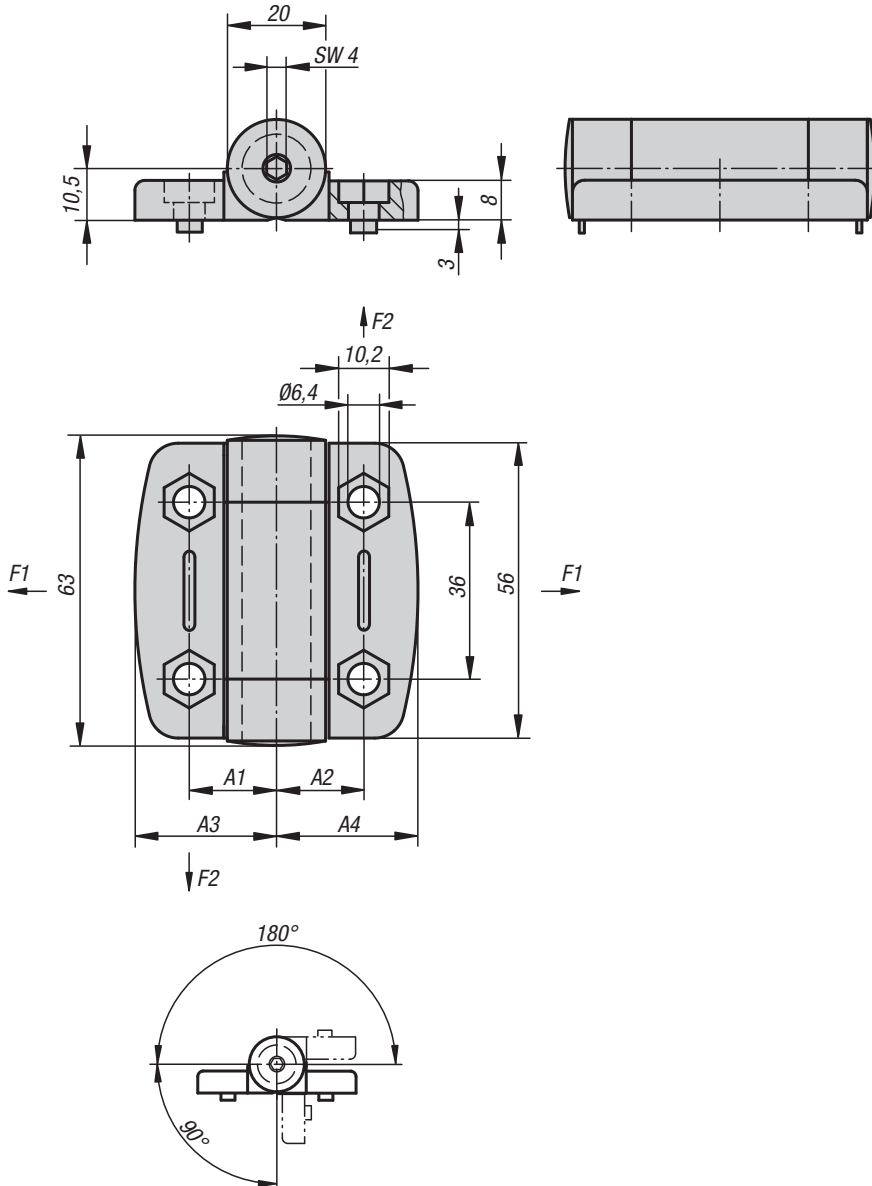
These hinges have a detent mechanism. This mechanism holds a door or lid open at three different angles or tightly closed. The hinges are available with or without guide tabs for aluminium profile slots. The hinges can be located in a slot using the guide tabs.

KIPP Hinges plastic, with detent

Order No.	A1	A2	A3	A4	Guide tabs for slot	F1 max. kN	F2 max. kN
K0439.56181800	17,75	17,75	27	27	-	0,4	0,35
K0439.56181806	17,75	17,75	27	27	6	0,4	0,35
K0439.56181808	17,75	17,75	27	27	8	0,4	0,35
K0439.56232300	22,75	22,75	36,75	36,75	-	0,6	0,425
K0439.56232308	22,75	22,75	36,75	36,75	8	0,6	0,425
K0439.56232310	22,75	22,75	36,75	36,75	10	0,6	0,425

Hinges

plastic, with adjustable friction



Material:

Hinge and caps, fibreglass reinforced PA thermoplastic.
Metal parts stainless steel.

Version:

Hinge and caps black.
Metal parts bright.

Sample order:

K0440.56181800

Note:

These friction hinges allow doors or lids to remain open in any position. A set screw allows the amount of friction to be infinitely adjusted between 0-5 Nm. The hinges are available with or without guide tabs for aluminium profile slots. The hinges can be located in a slot using the guide tabs.

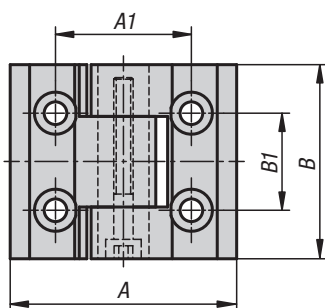
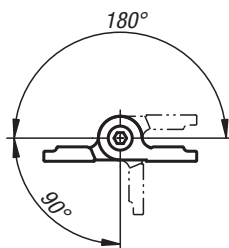
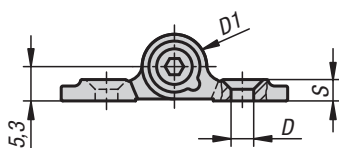


KIPP Hinges plastic, with adjustable friction

Order No.	A1	A2	A3	A4	Guide tabs for slot	F1 max. kN	F2 max. kN
K0440.56181800	17,75	17,75	27	27	-	0,4	0,325
K0440.56181806	17,75	17,75	27	27	6	0,4	0,325
K0440.56181808	17,75	17,75	27	27	8	0,4	0,325
K0440.56232300	22,75	22,75	36,75	36,75	-	0,6	0,425
K0440.56232308	22,75	22,75	36,75	36,75	8	0,6	0,425
K0440.56232310	22,75	22,75	36,75	36,75	10	0,6	0,425

Hinges

aluminium, with adjustable friction



Material:

Aluminium 6060 T5.
End caps PA 6.6.
Washers POM.

Version:

Black anodized

Sample order:

K1195.35301

Note:

These friction hinges allow doors to remain open at any desired angle. A set screw allows the amount of friction to be infinitely adjusted between 0–1 Nm. Opening angle 270°.

Max. tensile strength: 2240 N
Max. shear strength: 1050 N

Fastened using DIN 7991 countersunk screws.

Temperature range:

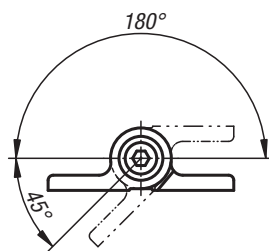
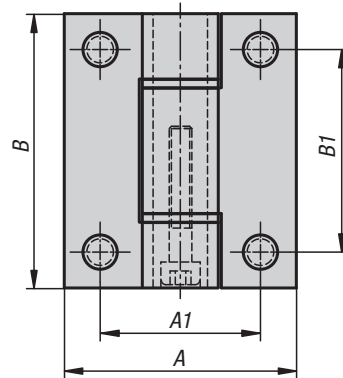
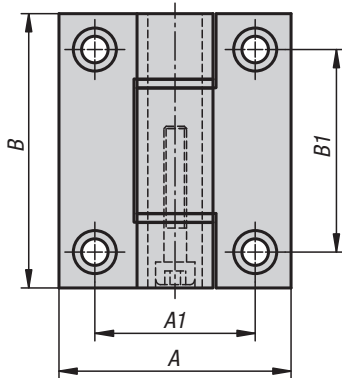
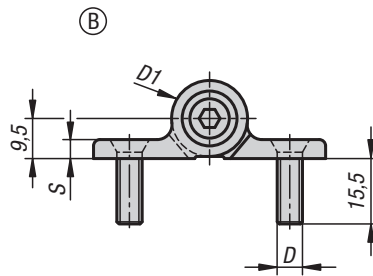
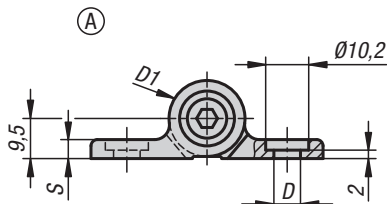
From -20°C to +80°C

KIPP Hinges aluminium, with adjustable friction

Order No.	A	A1	B	B1	D	D1	S
K1195.35301	35	21	30	15	3,5	10	3,3

Hinges

aluminium, with adjustable friction



Material:

Aluminium 6060 T5.
Sleeve POM.
Set screw stainless steel.
Washers PA.
Fastening screws steel.

Version:

Black anodised.
Fastening screws galvanised.

Sample order:

K1196.55651

Note:

These friction hinges allow doors to remain open at any desired angle. A set screw allows the amount of friction to be infinitely adjusted between 0–5 Nm. Opening angle 225°.

Max. tensile strength: 6000 N

Max. shear strength: 5000 N

Temperature range:

From -20°C to +80°C

Accessories:

Socket head screws with hexagon socket DIN 912/EN ISO 4762

Drawing reference:

Form A: fastened using DIN 912/EN ISO 4762 socket head screws.

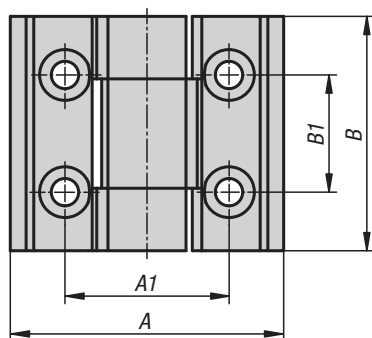
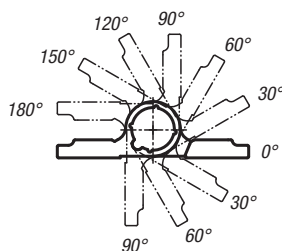
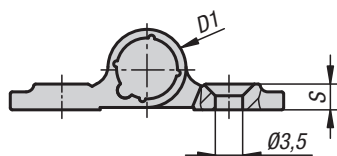
Form B: fastened using threaded pins.

KIPP Hinges aluminium, with adjustable friction

Order No.	Form	A	A1	B	B1	D	D1	S
K1196.55651	A	55	38	65	48	6,3	18	4,5
K1196.556511	B	55	38	65	48	6,3	18	4,5

Hinges

aluminium, with detent



Material:

Aluminium 6060 T5.
Screws and nuts stainless steel.
Washers PA.

Version:

Black anodized

Sample order:

K1197.35301

Note:

These hinges have a detent mechanism that indexes every 30° from 0° to 270° and holds doors or hatches open or tightly closed. The detent torque is not adjustable. Torque tolerance ±20%

Fastened using DIN 7991 countersunk screws.

Temperature range:

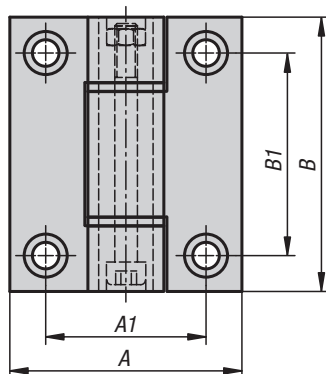
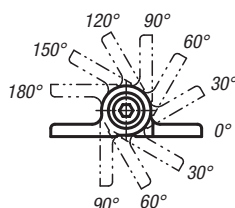
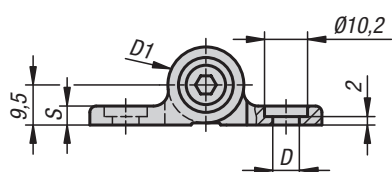
From -30°C to +70°C

KIPP Hinges aluminium, with detent

Order No.	A	A1	B	B1	D	D1	S	Max. torque Nm
K1197.35301	35	21	30	15	3,5	10	3,3	0,3

Hinges

aluminium, with detent



Material:

Aluminium 6060 T5.
Screws and nuts stainless steel.
Washers PA.

Version:

Black anodized

Sample order:

K1198.556711

Note:

These hinges have a detent mechanism that indexes every 30° from 0° to 270° and holds doors or hatches open or tightly closed.
The detent torque is not adjustable.

The hinges have a more than 30000 cycle service life.
Torque tolerance ±20%

Fastened using DIN 912/EN ISO 4762 socket head screws.

Temperature range:

From -30°C to +70°C

Accessories:

Socket head screws with hexagon socket DIN 912/EN ISO 4762

KIPP Hinges aluminium, with detent

Order No.	A	A1	B	B1	D	D1	S	Max. torque Nm
K1198.556711	55	38	67	48	6,3	18	4,5	1,8
K1198.556712	55	38	67	48	6,3	18	4,5	2,5
K1198.556713	55	38	67	48	6,3	18	4,5	3,2
K1198.556715	55	38	67	48	6,3	18	4,5	5

Hinges plastic

with fastening holes



Material:

Fibreglass reinforced thermoplastic.
Hinge pin steel.

Version:

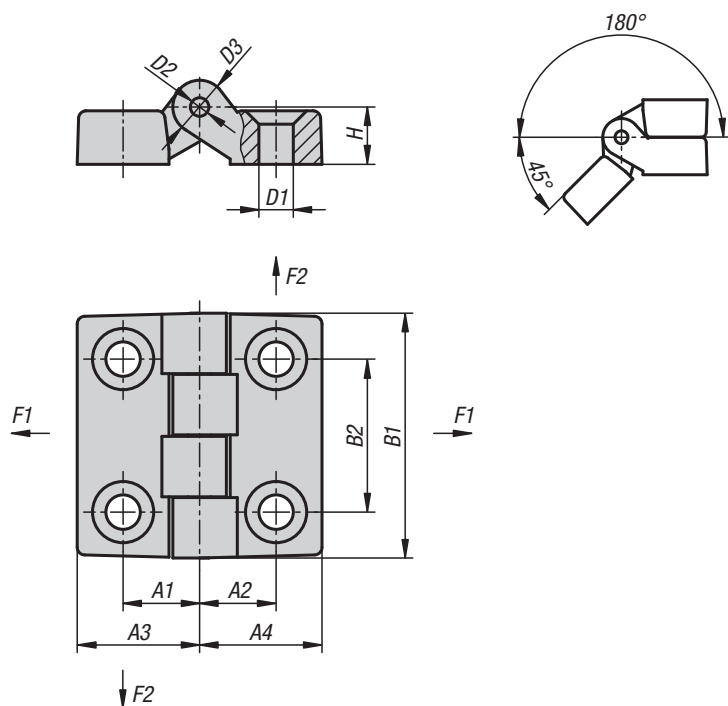
Hinge black.
Hinge pin galvanised.

Sample order:

K1004.0161010

Note:

Hinge with fastening holes
for countersunk screw DIN 7991/UNI 5933.



KIPP Plastic hinges with fastening holes

Order No.	A1	A2	A3	A4	B1	B2	D1	D2	D3	H	F1 (N)	F2 (N)
K1004.004161010	10	10	16	16	32	20	4,5	3	7	7	1440	490
K1004.006241515	15	15	24	24	48	30	6,5	5	10	10,5	1960	1470
K1004.006322020	20	20	32	32	64	40	6,5	5	12	13	2850	1520
K1004.008483232	31,5	31,5	48	48	96	60	8,5	8	16	16	4300	1810
K1004.010483232	31,5	31,5	48	48	96	60	10,5	8	16	16	4300	1810

Hinges plastic

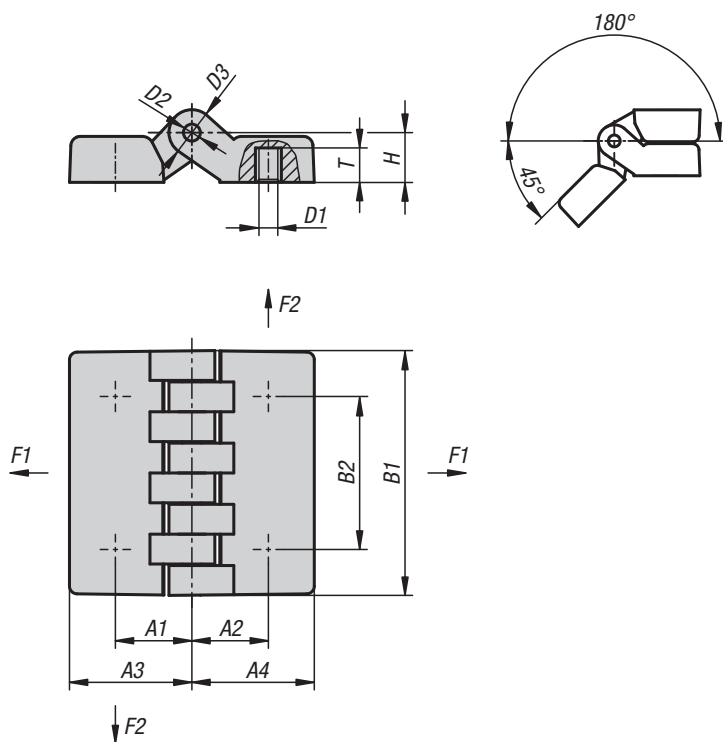
with bushing



Material:
Fibreglass reinforced thermoplastic.
Hinge pin steel.
Bushes brass.

Version:
Hinge black.
Hinge pin galvanised.

Sample order:
K1005.05241515

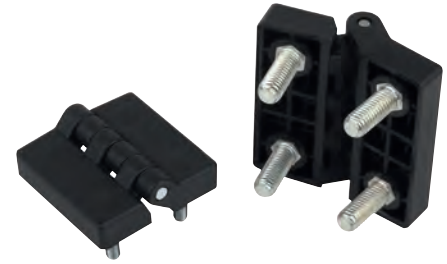


KIPP Hinges, plastic, with bushing

Order No.	A1	A2	A3	A4	B1	B2	D1	D2	D3	H	T	F1 (N)	F2 (N)
K1005.05241515	15	15	24	24	48	30	M5	5	10	10,5	7	2000	1370
K1005.06241515	15	15	24	24	48	30	M6	5	10	10,5	7	2000	1370
K1005.06322020	20	20	32	32	64	40	M6	5	12	13	9	4100	1800
K1005.08322020	20	20	32	32	64	40	M8	5	12	13	9	4100	1800
K1005.08483232	31,5	31,5	47,5	47,5	95	60	M8	8	18	19	13	2450	2650
K1005.10483232	31,5	31,5	47,5	47,5	95	60	M10	8	18	19	13	2450	2650

Hinges plastic

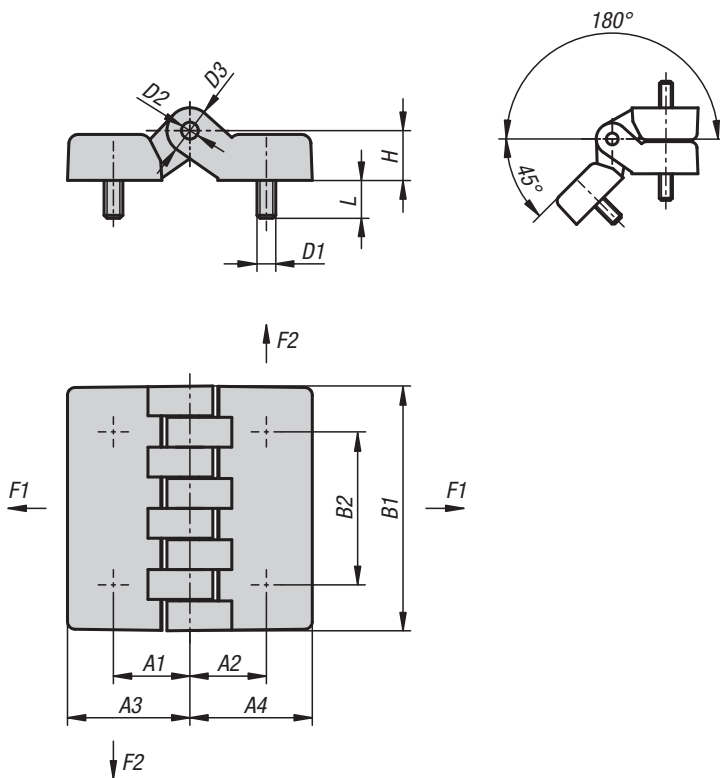
with fastening screws



Material:
Fibreglass reinforced thermoplastic.
Hinge pin steel.

Version:
Hinge black.
Hinge pin galvanised.

Sample order:
K1006.05241515



KIPP Hinges, plastic, with fastening screws

Order No.	A1	A2	A3	A4	B1	B2	D1	D2	D3	H	L	F1 (N)	F2 (N)
K1006.05241515	15	15	24	24	48	30	M5	5	10	10,5	15	1780	1370
K1006.06241515	15	15	24	24	48	30	M6	5	10	10,5	15	1780	1370
K1006.06322020	20	20	32	32	64	40	M6	5	12	13	20	4120	1760
K1006.08322020	20	20	32	32	64	40	M8	5	12	13	20	4120	1760
K1006.08483232	31,5	31,5	47,5	47,5	95	60	M8	8	18	19	20	4900	1275
K1006.10483232	31,5	31,5	47,5	47,5	95	60	M10	8	18	19	20	4900	1275

Hinges plastic

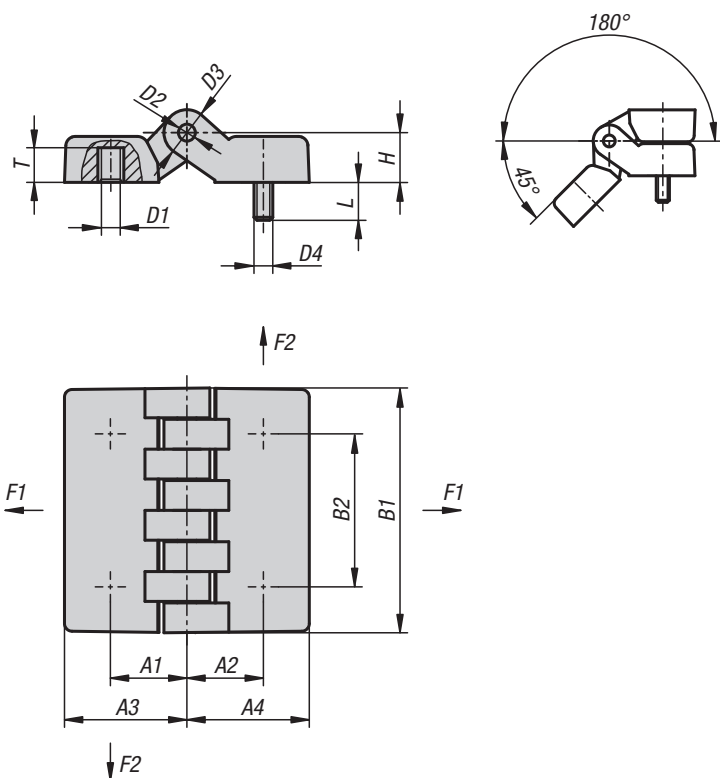
with bushes and fastening screws



Material:
 Fibreglass reinforced thermoplastic.
 Hinge pin steel.
 Bushes brass.

Version:
 Hinge black.
 Hinge pin galvanised.

Sample order:
 K1007.05241515

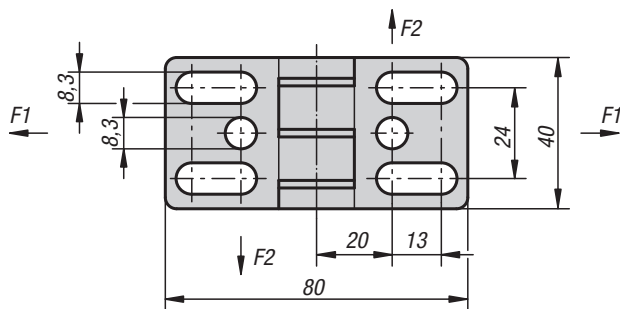
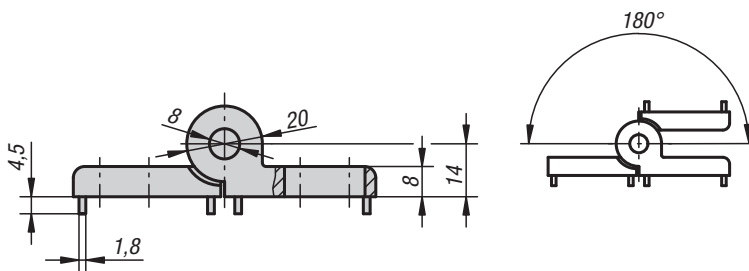


KIPP Hinges plastic with bushes and fastening screws

Order No.	A1	A2	A3	A4	B1	B2	D1	D2	D3	D4	H	L	T	F1 (N)	F2 (N)
K1007.05241515	15	15	24	24	48	30	M5	5	10	M5	10,5	15	7	1850	1350
K1007.06241515	15	15	24	24	48	30	M6	5	10	M6	10,5	15	7	1850	1350
K1007.06322020	20	20	32	32	64	40	M6	5	12	M6	13	20	9	4000	1600
K1007.08322020	20	20	32	32	64	40	M8	5	12	M8	13	20	9	4000	1600
K1007.08483232	31,5	31,5	47,5	47,5	95	60	M8	8	18	M8	19	20	13	3100	1400
K1007.10483232	31,5	31,5	47,5	47,5	95	60	M10	8	18	M10	19	20	13	3100	1400

Hinges

die-cast zinc, with elongated holes



Material:

Die-cast zinc.
Hinge pin stainless steel.
Washer thermoplastic.

Version:

Hinge black powder-coated.
Pin bright.
Washer black.

Sample order:

K0441.402020

Note:

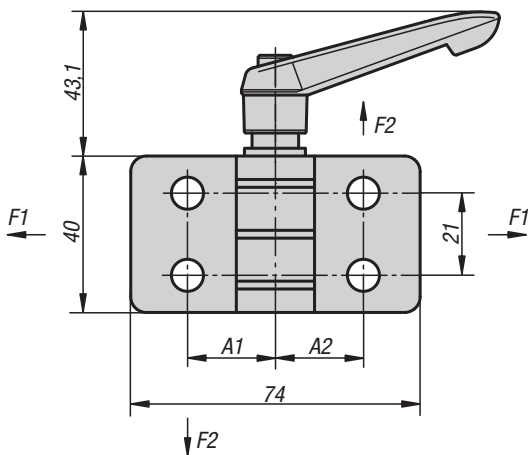
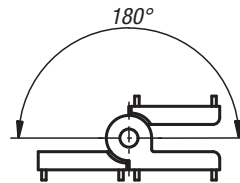
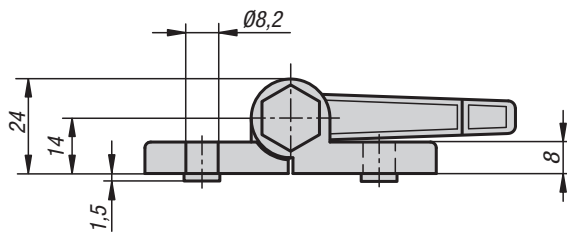
Elongated holes allow easy horizontal adjustment.

KIPP Hinges die-cast zinc, with elongated holes

Order No.	Guide tabs for slot	F1 max. kN	F2 max. kN
K0441.402020	-	1,2	0,5
K0441.40202008	8	1,2	0,5
K0441.40202010	10	1,2	0,5

Hinges

die-cast zinc, with locking lever



Material:

Hinge die-cast zinc.
Hinge pin steel.
Lever fibreglass reinforced thermoplastic.
Mechanism steel.

Version:

Hinge black powder-coated.
Pin galvanized.
Lever black.
Mechanism black galvanized.

Sample order:

K0442.40232300

Note:

The indexable lever allows the hinge to be locked in any position.
Available with or without guide tabs for aluminium profile slots.

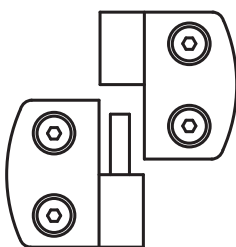
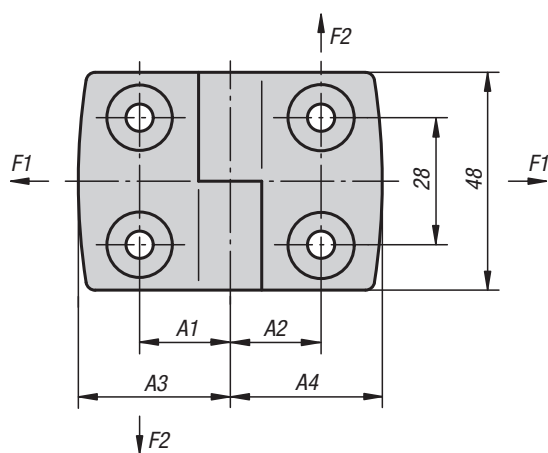
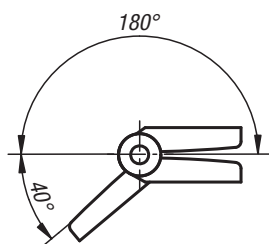
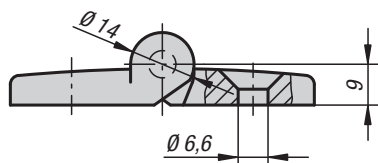


KIPP Hinges die-cast zinc, with locking lever

Order No.	A1	A2	Guide tabs for slot	F1 max. kN	F2 max. kN
K0442.40232300	22,5	22,5	-	1,5	0,65
K0442.40232308	22,5	22,5	8	1,5	0,65
K0442.40232310	22,5	22,5	10	1,5	0,65
K0442.40232500	22,5	25	-	1,5	0,65
K0442.40232508	22,5	25	8	1,5	0,65
K0442.40232510	22,5	25	10	1,5	0,65
K0442.45252500	25	25	-	1,5	0,65
K0442.45252508	25	25	8	1,5	0,65
K0442.45252510	25	25	10	1,5	0,65

Hinges

aluminium, lift-off, left



Material:

Die-cast aluminium.
Hinge pin stainless steel.

Version:

Hinge matt nickel-plated.
Pin bright.

Sample order:

K0579.1251515

Note:

Hinges for panel elements and aluminium profiles.
The hinges can be fitted with a plastic spacer ring on the hinge pin.

On request:

Hinges with guide tabs for aluminium profiles (slots 5, 6, 8, 10, 12 and 14).
Unequal leaf combinations.

KIPP Hinges aluminium, lift-off, left

Order No.	A1	A2	A3	A4	F1 max. kN	F2 max. kN
K0579.1251515	15	15	26	26	0,41	0,25
K0579.1301818	17,5	17,5	29,5	29,5	0,45	0,28
K0579.1352020	20	20	36	36	0,5	0,25
K0579.1402323	22,5	22,5	38,5	38,5	0,55	0,2
K0579.1452525	25	25	43,5	43,5	0,55	0,2
K0579.1502828	27,5	27,5	48,5	48,5	0,55	0,175
K0579.1603333	32,5	32,5	57,5	57,5	0,575	0,15

Hinges

aluminium, lift-off, right



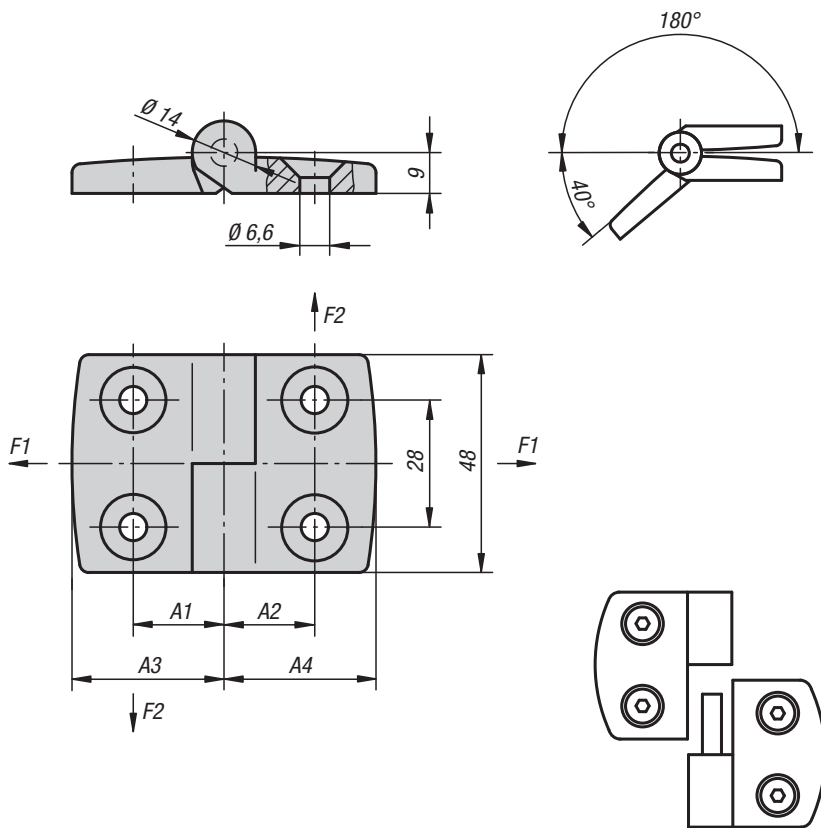
Material:
Die-cast aluminium.
Hinge pin stainless steel.

Version:
Hinge matt nickel-plated.
Pin bright.

Sample order:
K0579.2251515

Note:
Hinges for panel elements and aluminium profiles.
The hinges can be fitted with a plastic spacer ring on the hinge pin.

On request:
Hinges with guide tabs for aluminium profiles (slots 5, 6, 8, 10, 12 and 14).
Unequal leaf combinations.

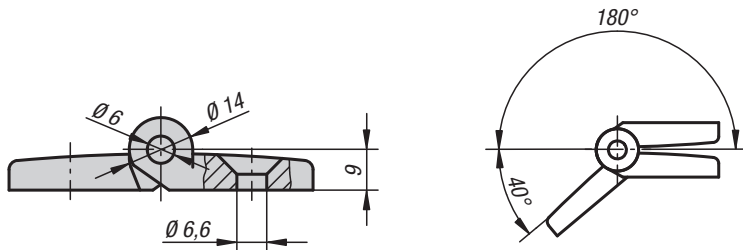


KIPP Hinges aluminium, lift-off, right

Order No.	A1	A2	A3	A4	F1 max. kN	F2 max. kN
K0579.2251515	15	15	26	26	0,41	0,25
K0579.2301818	17,5	17,5	29,5	29,5	0,45	0,28
K0579.2352020	20	20	36	36	0,5	0,25
K0579.2402323	22,5	22,5	38,5	38,5	0,55	0,2
K0579.2452525	25	25	43,5	43,5	0,55	0,2
K0579.2502828	27,5	27,5	48,5	48,5	0,55	0,175
K0579.2603333	32,5	32,5	57,5	57,5	0,575	0,15

Hinges

aluminium



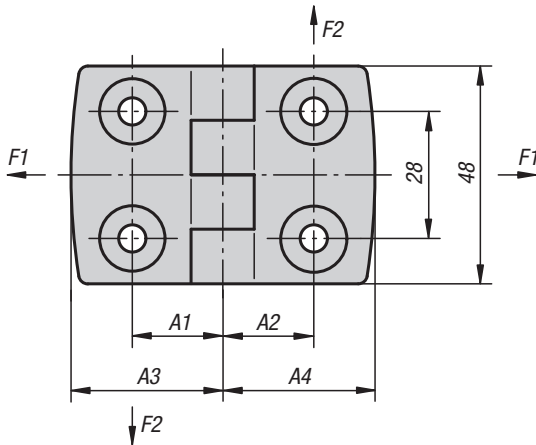
Material:
Die-cast aluminium.
Hinge pin stainless steel.

Version:
Hinge matt nickel-plated.
Pin bright.

Sample order:
K0580.251515

Note:
Hinges for panel elements and aluminium profiles, non lift-off.
The hinges can be fitted with a plastic spacer on the hinge pin.

On request:
Hinges with guide tabs for aluminium profiles (slots 5, 6, 8, 10, 12 and 14).
Unequal leaf combinations.



KIPP Hinges aluminium

Order No.	A1	A2	A3	A4	F1 max. kN	F2 max. kN
K0580.251515	15	15	26	26	0,275	0,215
K0580.301818	17,5	17,5	29,5	29,5	0,325	0,225
K0580.352020	20	20	36	36	0,325	0,225
K0580.402323	22,5	22,5	38,5	38,5	0,4	0,25
K0580.452525	25	25	43,5	43,5	0,4	0,25
K0580.502828	27,5	27,5	48,5	48,5	0,4	0,25
K0580.603333	32,5	32,5	57,5	57,5	0,4	0,1

Hinges

stainless steel

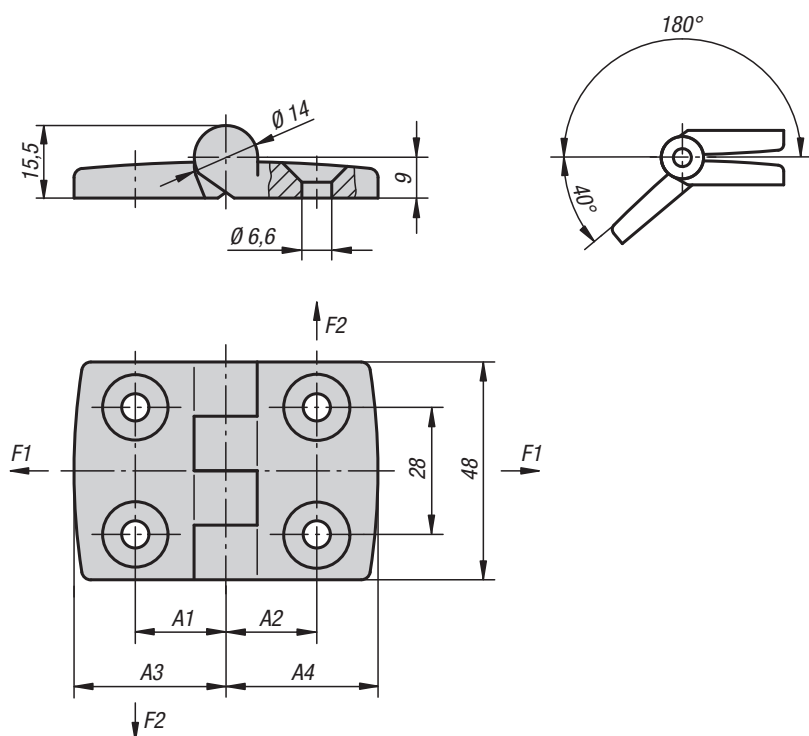


Material:
Stainless steel 1.4401.

Version:
Polished.

Sample order:
K1084.062615151

Note:
Hinges for panel elements and aluminium profiles.

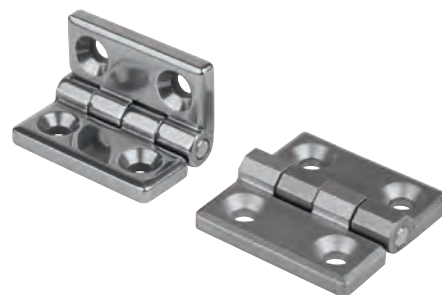


KIPP Hinges stainless steel

Order No.	A1	A2	A3	A4	F1 max. kN	F2 max. kN
K1084.062615151	15	15	26	26	0,7	0,560
K1084.063018181	17,5	17,5	29,5	29,5	0,8	0,575
K1084.064023231	22,5	22,5	38,5	38,5	0,9	0,675
K1084.064525251	25	25	42,5	42,5	0,9	0,675
K1084.066033331	32,5	32,5	56,5	56,5	0,9	0,260

Hinges

stainless steel

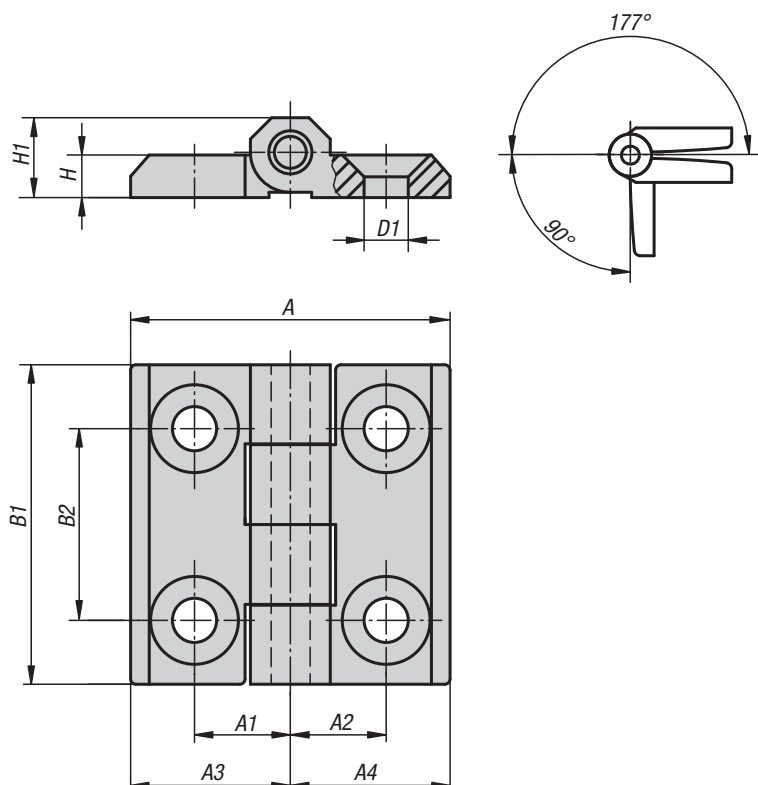


Material:
Stainless steel 1.4401.

Version:
Polished or blasted.

Sample order:
K1085.052013131

Note:
Hinges with fixed pin and countersunk holes.

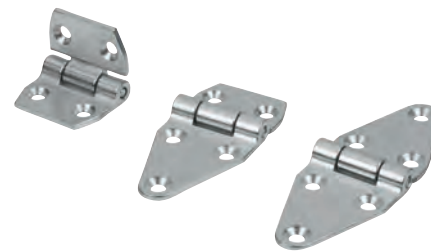


KIPP Hinges, stainless steel

Order No.	Version	A	A1	A2	A3	A4	B1	B2	D1	H	H1
K1085.052013130	polished	39	12,5	12,5	19,5	19,5	39	25	5,5	4	9
K1085.052013131	blasted	39	12,5	12,5	19,5	19,5	39	25	5,5	4	9
K1085.062515150	polished	50	15	15	25	25	50	30	6,5	6	12
K1085.062515151	blasted	50	15	15	25	25	50	30	6,5	6	12
K1085.083018180	polished	60	18	18	30	30	60	36	8,5	8	15
K1085.083018181	blasted	60	18	18	30	30	60	36	8,5	8	15

Hinges steel

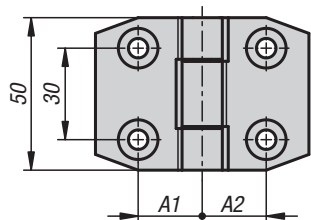
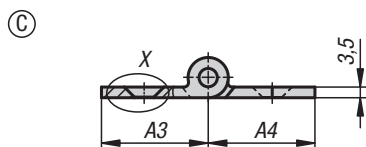
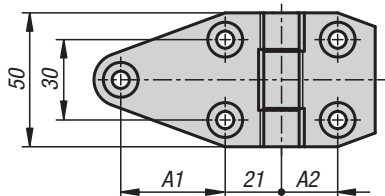
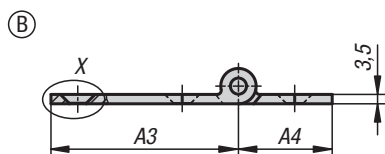
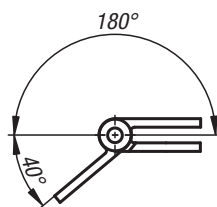
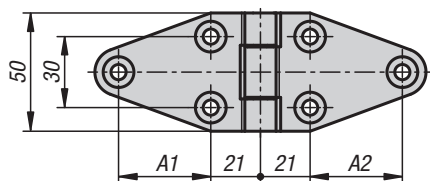
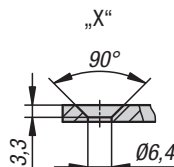
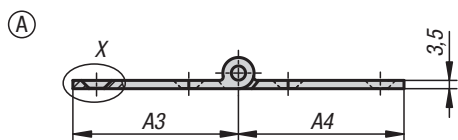
maintenance-free



Material:
Profile steel.
Bush Metaloplast.

Version:
Steel parts galvanised.

Sample order:
K1141.06707050

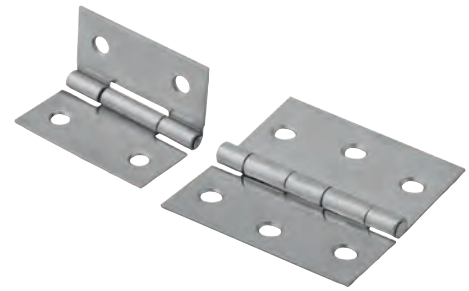


KIPP Hinges steel, maintenance-free

Order No.	Form	A1	A2	A3	A4
K1141.06707050	A	39	39	70	70
K1141.06703550	B	39	21	70	35
K1141.06353550	C	21	21	35	35

Hinges

steel or stainless steel plate

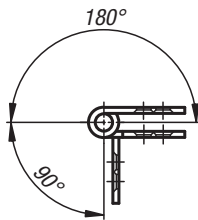
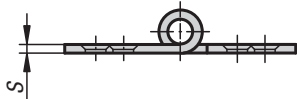


Material:
Steel or stainless steel 1.4301.

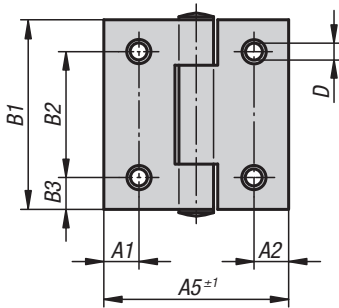
Version:
Steel galvanized.
Stainless steel bright.

Sample order:
K1082.04201212

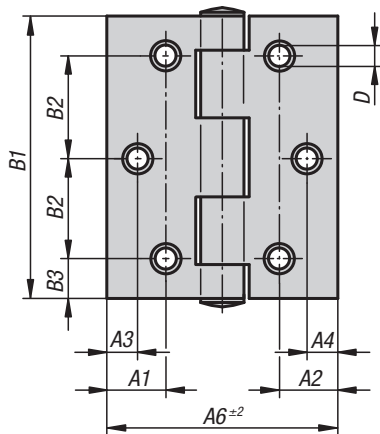
Note:
Rolled plate butt hinges.
Pins are riveted.
Screw holes countersunk.



1:



2:

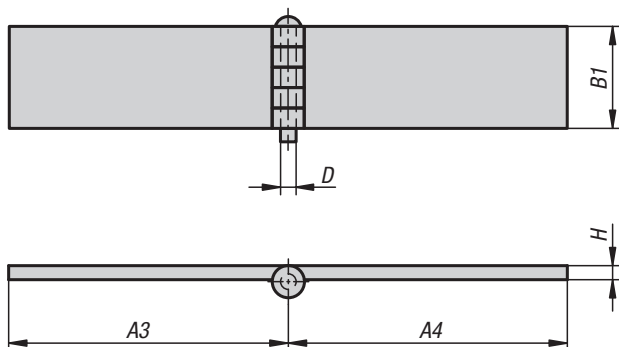
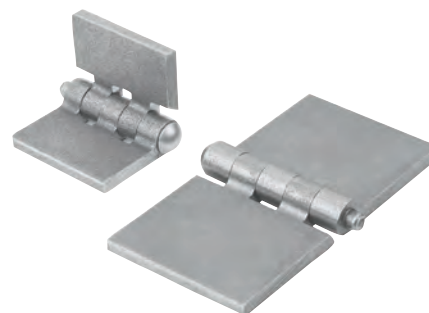


KIPP Hinges, steel or stainless steel plate

Order No.	Material	Version	A1	A2	A3	A4	A5	A6	B1	B2	B3	D	S
K1082.04201212	steel	1	8,5	8,5	-	-	40	-	40	25	7,5	4	1
K1082.04301515	steel	2	15	15	8	8	-	60	60	22,5	7,5	4,5	1,5
K1082.104201212	stainless steel	1	8,5	8,5	-	-	40	-	40	25	7,5	4	1
K1082.104251414	stainless steel	2	11	11	8	8	-	50	50	18	7	4,5	1,25
K1082.104301515	stainless steel	2	15	15	8	8	-	60	60	22,5	7,5	4,5	1,5
K1082.105401515	stainless steel	2	25,3	25,3	12	12	-	80	80	30	10	5,2	1,5

Hinges

weldable



Material:
Steel.

Version:
Bright.

Sample order:
K1140.04030040

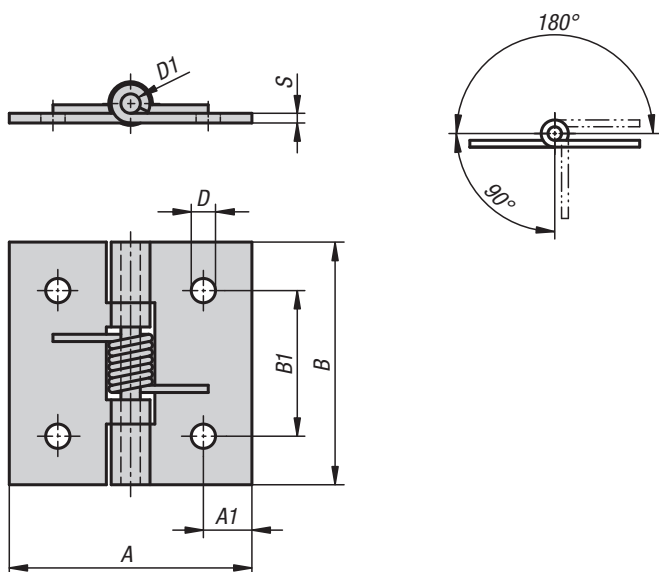
Note:
The hinges are made of weldable profile steel.

KIPP Weldable hinges

Order No.	A3	A4	B1	D	H
K1140.04030040	40	40	30	4	3
K1140.04040040	40	40	40	4	3
K1140.06040030	30	30	40	6	5
K1140.06040060	60	60	40	6	5
K1140.06050060	60	60	50	6	5
K1140.06060060	60	60	60	6	5
K1140.08060080	80	80	60	8	6

Spring hinges

steel or stainless steel, 50 mm



Material:

Steel or 1.4301 stainless steel.
Tension spring stainless steel.

Version:

Steel galvanized.
Stainless steel bright.

Sample order:

K1173.50500

Note:

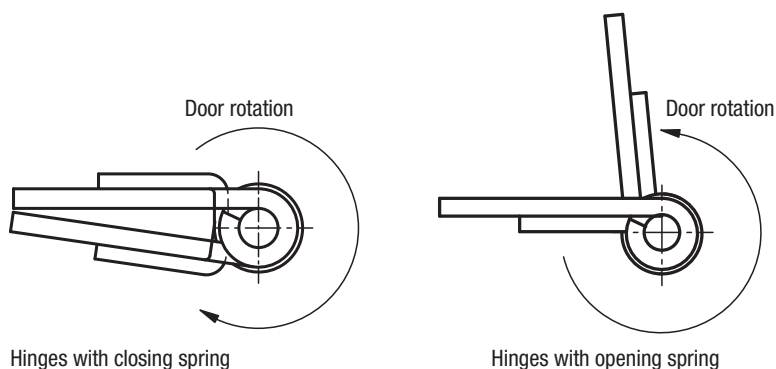
Butt type hinges.
Opening angle 270°.

Spring torque opening:

$M(0^\circ): 1.5 \text{ Nm} / M(90^\circ): 1.1 \text{ Nm} / M(180^\circ): 0.65 \text{ Nm}$

Spring torque closing:

$M(0^\circ): 0.25 \text{ Nm} / M(90^\circ): 0.65 \text{ Nm} / M(180^\circ): 1.1 \text{ Nm}$

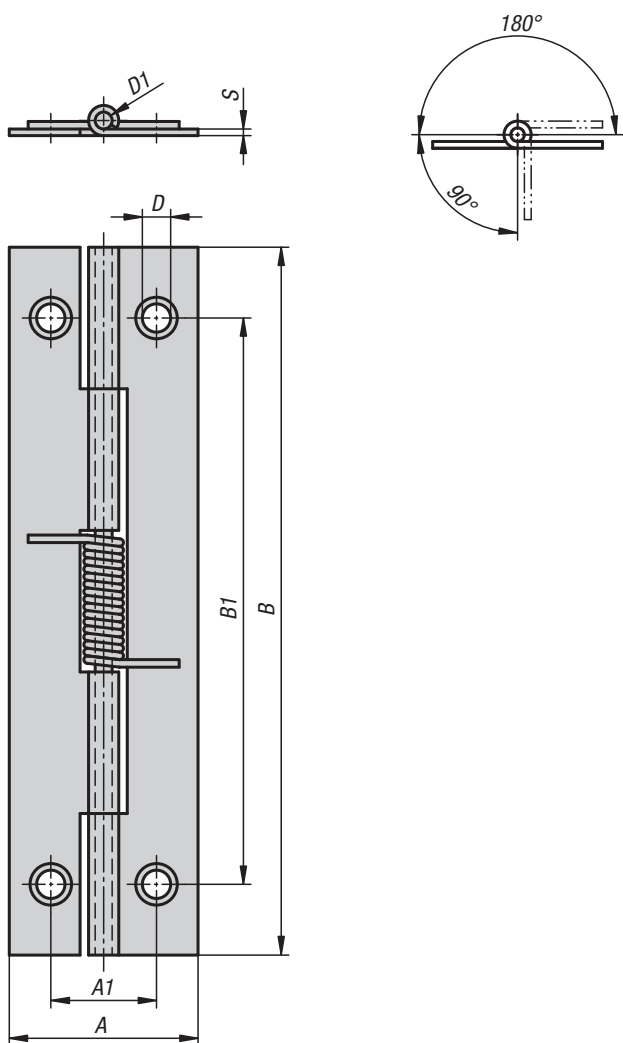


KIPP Spring hinges steel or stainless steel, 50 mm

Order No.	Version	Main material	A	A1	B	B1	D	D1	S
K1173.50500	spring open	steel	50	9	50	30	5	4	2
K1173.150500	spring open	stainless steel	50	10	50	30	5	4	2
K1173.50501	spring closed	steel	50	9	50	30	5	4	2
K1173.150501	spring closed	stainless steel	50	10	50	30	5	4	2

Spring hinges

steel or stainless steel, 75 mm



Material:

Steel or 1.4301 stainless steel.
Tension spring stainless steel.

Version:

Bright.

Sample order:

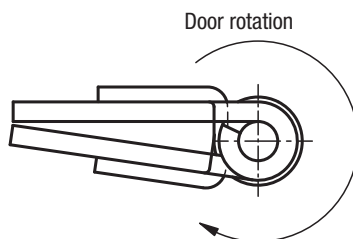
K1174.20750

Note:

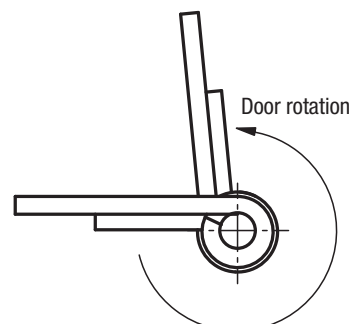
Butt type hinges.
Opening angle 270°.

Spring torque:

M(0°): 0.12 Nm / M(90°): 0.09 Nm / M(180°): 0.06 Nm



Hinges with closing spring



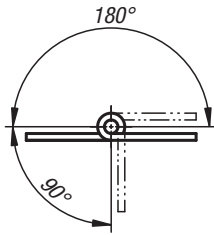
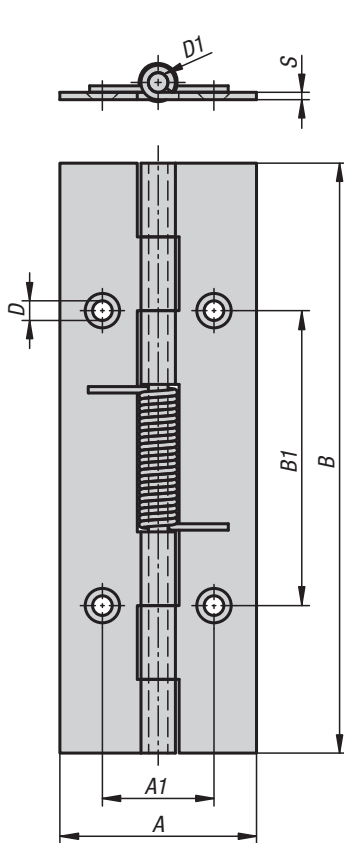
Hinges with opening spring

KIPP Spring hinges steel or stainless steel, 75 mm

Order No.	Main material	A	A1	B	B1	D	D1	S
K1174.20750	steel	20	11,2	75	60	2,8	1,8	0,8
K1174.120750	stainless steel	20	11,2	75	60	2,8	1,8	0,8

Spring hinges

steel or stainless steel, 120 mm



Material:

Steel or 1.4301 stainless steel.
Tension spring stainless steel.

Version:

Steel bright or galvanized.
Stainless steel bright.

Sample order:

K1175.4012000

Note:

Butt type hinges.
Opening angle 270°.

Spring torque opening:

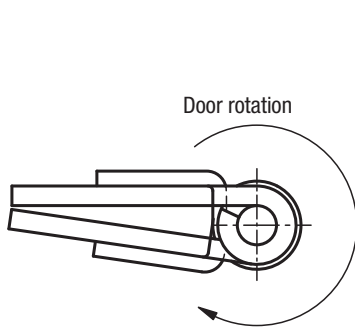
$M(0^\circ): 0.85 \text{ Nm} / M(90^\circ): 0.56 \text{ Nm} / M(180^\circ): 0.28 \text{ Nm}$

Spring torque closing:

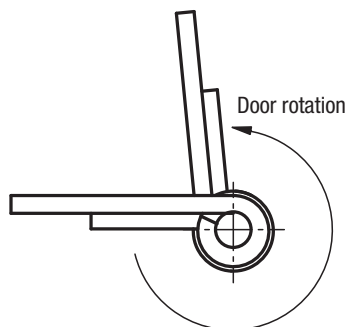
$M(0^\circ): 0.28 \text{ Nm} / M(90^\circ): 0.56 \text{ Nm} / M(180^\circ): 0.85 \text{ Nm}$

Form A: without holes

Form B: with holes



Hinges with closing spring



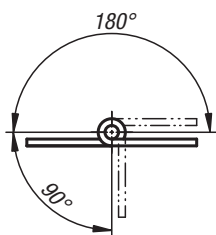
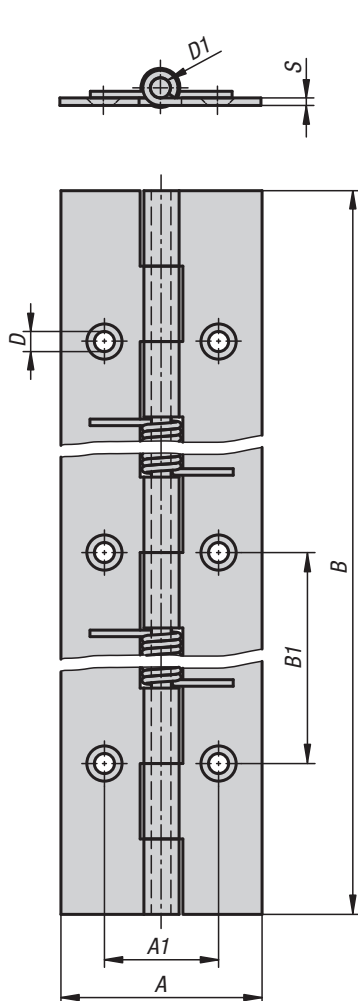
Hinges with opening spring

KIPP Spring hinges steel or stainless steel, 120 mm

Order No.	Form	Version	Main material	Surface	A	A1	B	B1	D	D1	S
K1175.4012000	A	spring open	steel	bright	40	-	120	-	-	4	1,5
K1175.4012001	B	spring open	steel	galvanized	40	22,7	120	60	4	4	1,5
K1175.14012000	A	spring open	stainless steel	bright	40	-	120	-	-	4	1,5
K1175.14012001	B	spring open	stainless steel	bright	40	22,7	120	60	4	4	1,5
K1175.4012010	A	spring closed	steel	bright	40	-	120	-	-	4	1,5
K1175.4012011	B	spring closed	steel	galvanized	40	22,7	120	60	4	4	1,5
K1175.14012010	A	spring closed	stainless steel	bright	40	-	120	-	-	4	1,5
K1175.14012011	B	spring closed	stainless steel	bright	40	22,7	120	60	4	4	1,5

Spring hinges

steel or stainless steel, 180 mm



Material:
Steel or 1.4301 stainless steel.
Tension spring stainless steel.

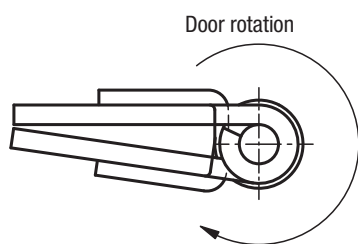
Version:
Steel bright or galvanized.
Stainless steel bright.

Sample order:
K1176.4018000

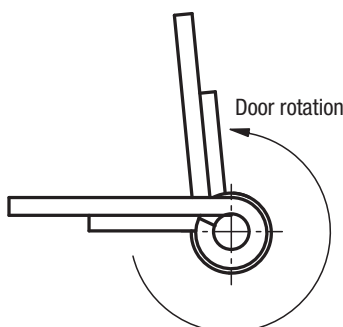
Note:
Butt type hinges.
Opening angle 270°.

Spring torque opening:
M(0°): 1.7 Nm / M(90°): 1.1 Nm / M(180°): 0.56 Nm
Spring torque closing:
M(0°): 0.56 Nm / M(90°): 1.1 Nm / M(180°): 1.7 Nm

Form A: without holes
Form B: with holes



Hinges with closing spring



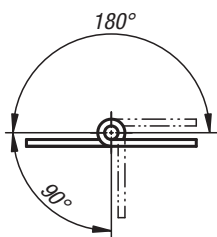
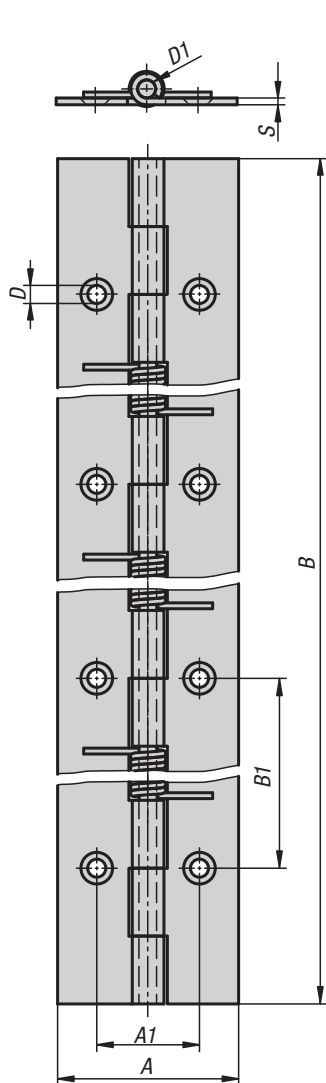
Hinges with opening spring

KIPP Spring hinges steel or stainless steel, 180 mm

Order No.	Form	Version	Main material	Surface	A	A1	B	B1	D	D1	S
K1176.4018000	A	spring open	steel	bright	40	-	180	-	-	4	1,5
K1176.4018001	B	spring open	steel	galvanized	40	22,7	180	60	4	4	1,5
K1176.14018000	A	spring open	stainless steel	bright	40	-	180	-	-	4	1,5
K1176.14018001	B	spring open	stainless steel	bright	40	22,7	180	60	4	4	1,5
K1176.4018010	A	spring closed	steel	bright	40	-	180	-	-	4	1,5
K1176.4018011	B	spring closed	steel	galvanized	40	22,7	180	60	4	4	1,5
K1176.14018010	A	spring closed	stainless steel	bright	40	-	180	-	-	4	1,5
K1176.14018011	B	spring closed	stainless steel	bright	40	22,7	180	60	4	4	1,5

Spring hinges

steel or stainless steel, 240 mm



Material:

Steel or 1.4301 stainless steel.
Tension spring stainless steel.

Version:

Steel bright or galvanized.
Stainless steel bright.

Sample order:

K1177.4024000

Note:

Butt type hinges.
Opening angle 270°.

Spring torque opening:

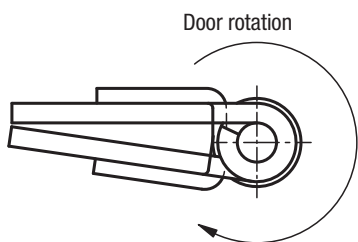
$M(0^\circ): 2.55 \text{ Nm} / M(90^\circ): 1.68 \text{ Nm} / M(180^\circ): 0.84 \text{ Nm}$

Spring torque closing:

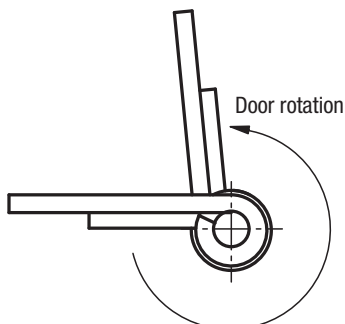
$M(0^\circ): 0.84 \text{ Nm} / M(90^\circ): 1.68 \text{ Nm} / M(180^\circ): 2.55 \text{ Nm}$

Form A: without holes

Form B: with holes



Hinges with closing spring



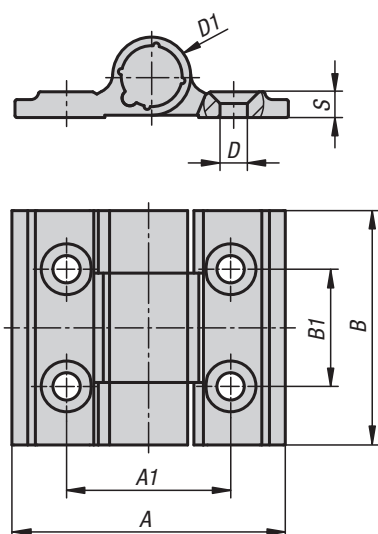
Hinges with opening spring

KIPP Spring hinges steel or stainless steel, 240 mm

Order No.	Form	Version	Main material	Surface	A	A1	B	B1	D	D1	S
K1177.4024000	A	spring open	steel	bright	40	-	240	-	-	4	1,5
K1177.4024001	B	spring open	steel	galvanized	40	22,7	240	60	4	4	1,5
K1177.14024000	A	spring open	stainless steel	bright	40	-	240	-	-	4	1,5
K1177.14024001	B	spring open	stainless steel	bright	40	22,7	240	60	4	4	1,5
K1177.4024010	A	spring closed	steel	bright	40	-	240	-	-	4	1,5
K1177.4024011	B	spring closed	steel	galvanized	40	22,7	240	60	4	4	1,5
K1177.14024010	A	spring closed	stainless steel	bright	40	-	240	-	-	4	1,5
K1177.14024011	B	spring closed	stainless steel	bright	40	22,7	240	60	4	4	1,5

Spring hinges

aluminium profile, 0.2 Nm



Material:
Aluminium 6060 T5.
Cover plug PA 6.6.

Version:
Black anodized

Sample order:
K1178.353001

Note:
These hinges have stainless steel tension springs which enables doors and hatches to open or close automatically. Opening angle 270°.

Spring torque opening:
M(0°): 0.20 Nm / M(90°): 0.12 Nm / M(180°): 0.07 Nm
Spring torque closing:
M(0°): 0.20 Nm / M(90°): 0.12 Nm / M(180°): 0.07 Nm

Fastened with DIN 7991 countersunk screws.

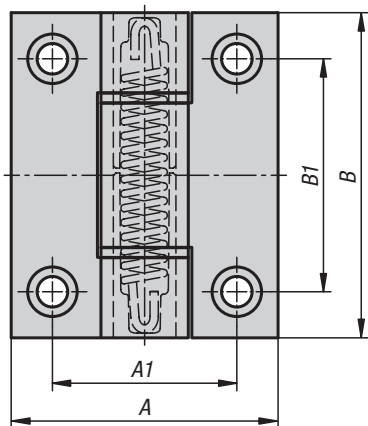
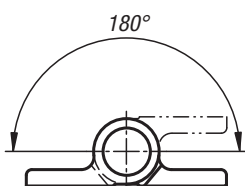
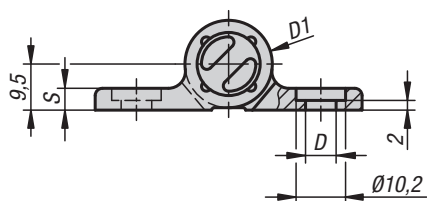
Temperature range:
From -20°C to +80°C

KIPP Spring hinges aluminium profile, 0.2 Nm

Order No.	Version	A	A1	B	B1	D	D1	S
K1178.353001	spring open	35	21	30	15	3,5	10	3,3
K1178.353011	spring closed	35	21	30	15	3,5	10	3,3

Spring hinges

aluminium profile, 0.35 Nm



Material:

Aluminium 6060 T5.
End caps PA 6.6.
Washers POM.

Version:

Black anodized

Sample order:

K1179.556701

Note:

These hinges have steel tension springs which enables doors and hatches to open or close automatically. Opening angle 180°.

Spring torque opening:

M(0°): 0.35 Nm / M(90°): 0.24 Nm / M(180°): 0.12 Nm

These hinges have a more than 30000 cycle service life.

Fastened using DIN 912/EN ISO 4762 socket head screws.

Temperature range:

From -20°C to +80°C

Accessories:

Socket head screws with hexagon socket DIN 912/EN ISO 4762

KIPP Spring hinges aluminium profile, 0.35 Nm

Order No.	Version	A	A1	B	B1	D	D1	S
K1179.556701	spring open	55	38	67	48	6,3	18	4,5

Spring hinges

aluminium profile, 0.7 Nm



Material:

Aluminium 6060 T5.
End caps PA 6.6.
Washers POM.

Version:

Black anodized

Sample order:

K1180.556701

Note:

These hinges have steel tension springs which enables doors and hatches to open or close automatically. Opening angle 180°.

Spring torque opening:

M(0°): 0.7 Nm / M(90°): 0.45 Nm / M(180°): 0.23 Nm

Spring torque closing:

M(0°): 0.7 Nm / M(90°): 0.45 Nm / M(180°): 0.23 Nm

These hinges have a more than 30000 cycle service life.

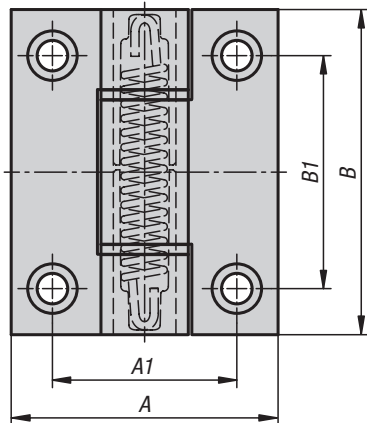
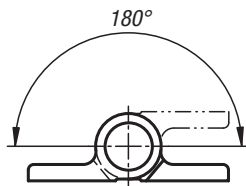
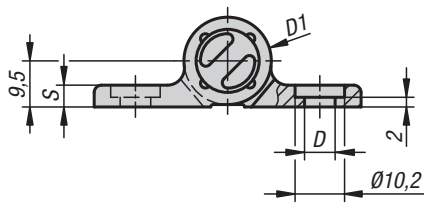
Fastened using DIN 912/EN ISO 4762 socket head screws.

Temperature range:

From -20°C to +80°C

Accessories:

Socket head screws with hexagon socket DIN 912/EN ISO 4762

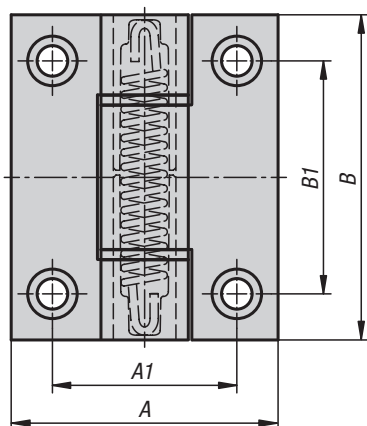
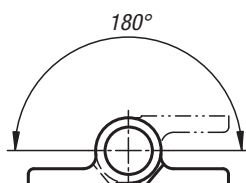
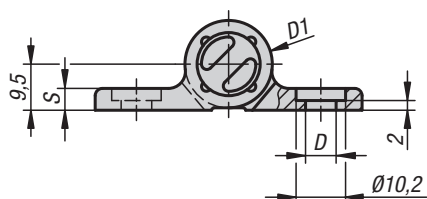


KIPP Spring hinges aluminium profile, 0.7 Nm

Order No.	Version	A	A1	B	B1	D	D1	S
K1180.556701	spring open	55	38	67	48	6,3	18	4,5
K1180.556711	spring closed	55	38	67	48	6,3	18	4,5

Spring hinges

aluminium profile, 1.3 Nm



Material:

Aluminium 6060 T5.
End caps PA 6.6.
Washers POM.

Version:

Black anodized

Sample order:

K1181.556701

Note:

These hinges have steel tension springs which enables doors and hatches to open or close automatically. Opening angle 180°.

Spring torque opening:

M(0°): 1.3 Nm / M(90°): 1.1 Nm / M(180°): 0.9 Nm

Spring torque closing:

M(0°): 0.5 Nm / M(90°): 0.7 Nm / M(180°): 1 Nm

These hinges have a more than 10000 cycle service life.

Fastened using DIN 912/EN ISO 4762 socket head screws.

Temperature range:

From -20°C to +80°C

Accessories:

Socket head screws with hexagon socket DIN 912/EN ISO 4762

KIPP Spring hinges aluminium profile, 1.3 Nm

Order No.	Version	A	A1	B	B1	D	D1	S
K1181.556701	spring open	55	38	67	48	6,3	18	4,5
K1181.556711	spring closed	55	38	67	48	6,3	18	4,5

Spring hinges

aluminium profile, 3.8 Nm



Material:
Aluminium 6060 T5.
End caps PA 6.6.
Washers POM.

Version:
Black anodized

Sample order:
K1182.8210001

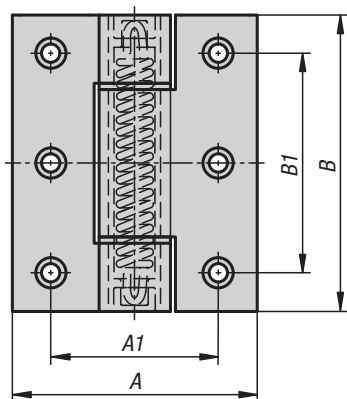
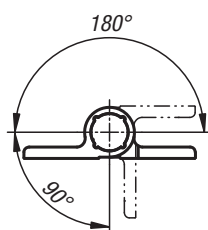
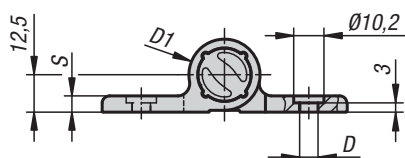
Note:
These hinges have steel tension springs which enables doors and hatches to open or close automatically. Opening angle 270°.

Spring torque opening:
M(0°): 3.80 Nm / M(90°): 3.10 Nm / M(180°): 2.40 Nm
Spring torque closing:
M(0°): 2.20 Nm / M(90°): 2.90 Nm / M(180°): 3.50 Nm

Fastened using DIN 912/EN ISO 4762 socket head screws.

Temperature range:
From -20°C to +80°C

Accessories:
Socket head screws with hexagon socket DIN 912/EN ISO 4762

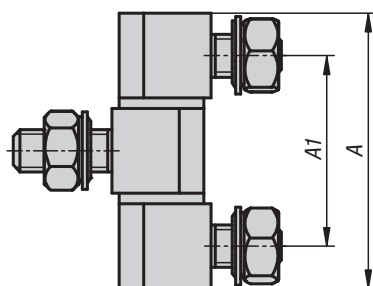
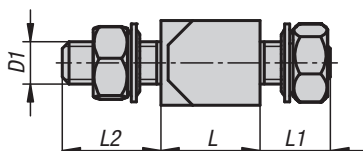


KIPP Spring hinges aluminium profile, 3.8 Nm

Order No.	Version	A	A1	B	B1	D	D1	S
K1182.8210001	spring open	82,5	56,5	100	74	6,2	24	5,5
K1182.8210011	spring closed	82,5	56,5	100	74	6,2	24	5,5

Block hinges

with fastening nuts


Material:

Steel.
Stainless steel 1.4305.
Stainless steel A4 1.4401.

Version:

Steel galvanized.
Stainless steel bright.

Sample order:

K1142.0614027

Note:

Block hinges with fastening nuts for overlapping or inset doors.

Mounted with nuts (M6 or M8) from inside. The 3-part versions are not detachable.

The hinge can be used left or right. The opening angle is 180°. Supplied unassembled.

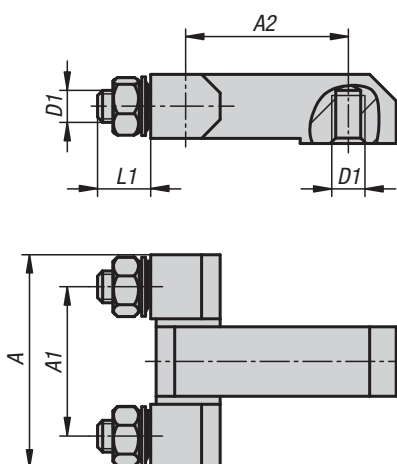
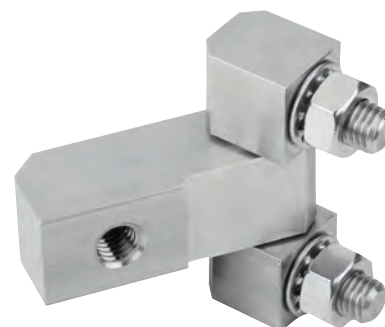
Fastening nuts and washers are supplied.

KIPP Block hinges with fastening nuts

Order No.	Main material	Steel code	A	A1	D1	L	L1 Length	L2
K1142.0614027	steel	-	39	27	M6	13	10	14
K1142.0820033	steel	-	49	33	M8	18	14	22
K1142.10614027	stainless steel	1.4305	39	27	M6	13	10	14
K1142.10820033	stainless steel	1.4305	49	33	M8	18	14	22
K1142.20614027	stainless steel	1.4401	39	27	M6	13	10	14
K1142.20820033	stainless steel	1.4401	49	33	M8	18	14	22

Block hinges

with fastening nuts, long version


Material:

Steel.
Stainless steel 1.4305.
Stainless steel A4 1.4401.

Version:

Steel galvanized.
Stainless steel bright.

Sample order:

K1143.0630028

Note:

Block hinges with fastening nuts and extended middle section for inset doors.

Mounted with nuts (M6 or M8) from inside.

The hinge can be mounted left or right. The opening angle is 180°.

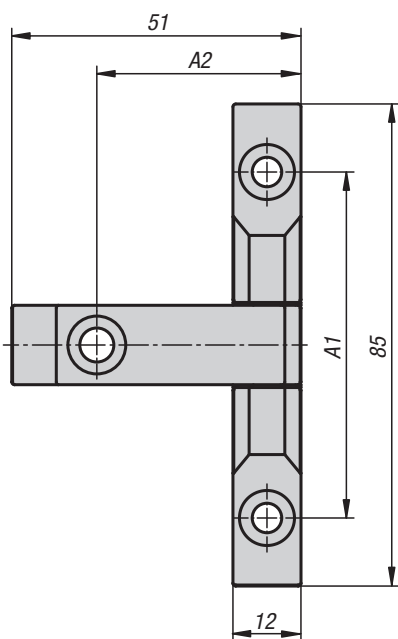
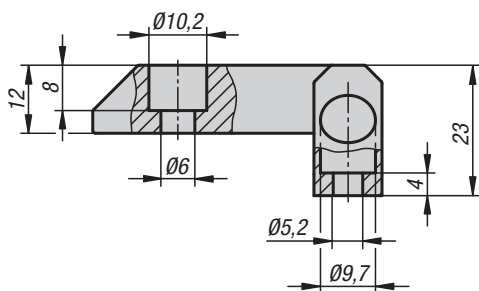
Supplied unassembled. Fastening nuts and washers are supplied.

KIPP Block hinges with fastening nuts, long version

Order No.	Main material	Steel code	A	A1	A2	D1	L1 Length
K1143.0630028	steel	-	40	28	30	M6	10
K1143.0829035	steel	-	51	35	29	M8	14
K1143.10630028	stainless steel	1.4305	40	28	30	M6	10
K1143.10829035	stainless steel	1.4305	51	35	29	M8	14
K1143.20630028	stainless steel	1.4401	40	28	30	M6	10
K1143.20829035	stainless steel	1.4401	51	35	29	M8	14

Block hinges

with counterbore, long version



Material:
Steel.

Version:
Steel galvanised or high-gloss chromed.

Sample order:
K1144.00630061

Note:
Block hinges for overlapping doors. Can be mounted left or right. Opening angle 180°. The hinges are supplied assembled.

KIPP Block hinges with counterbore, long version

Order No.	Surface	A1	A2
K1144.00630061	galvanized	61	30
K1144.10630061	high-gloss chromed	61	30

Hinges weldable

stainless steel

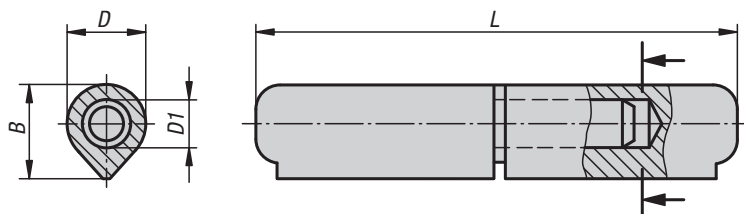


Material:
Stainless steel 1.4301.

Version:
Bright.

Sample order:
K0985.013080033

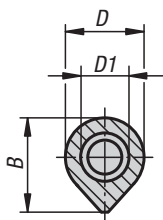
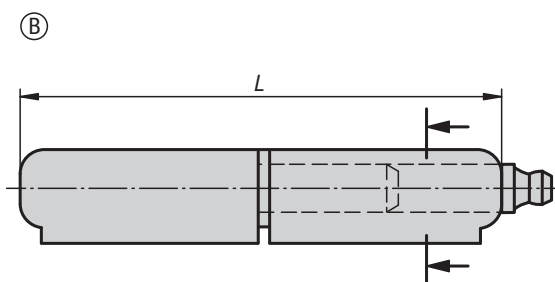
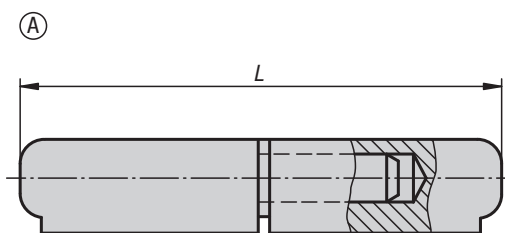
Note:
The hinges are made of weldable profile steel.
The pin is fixed into the lower part of the hinge.
The differing steel qualities of the weld and the beam onto which the hinge is welded must be at least equal to or better than:
S235 JR+AR acc. to EN 10025-2:2004-10
DIN 8563 part 3 or Fe E 235 acc. to SIA 161



KIPP Hinges weldable, stainless steel

Order No.	D	D1	B	L
K0985.010060033	10	6	12	60
K0985.013080033	13	8	15,5	80
K0985.016100033	16	10	20	100
K0985.016120033	16	11	20	120
K0985.020150033	20	13	25,5	150
K0985.020180033	20	14	25,5	180

Hinges weldable



Material:

Hinge steel.
 Spacer washer brass.
 Hinge pin steel or brass.

Version:

Grease nipple DIN 71412-D, galvanized steel.
 Steel parts, bright.

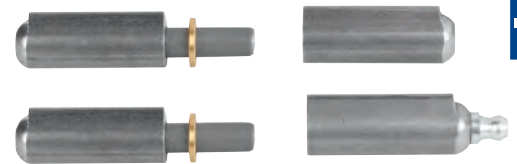
Sample order:

K0984.011070012

Note:

The hinges are made of weldable profile steel.
 The pin is fixed into the lower part of the hinge.
 The differing steel qualities of the weld and the beam
 onto which the hinge is welded must be at least equal
 to or better than:

S235 JR+AR acc. to EN 10025-2:2004-10
 DIN 8563 part 3 or Fe E 235 acc. to SIA 161



KIPP Hinges weldable

Order No.	Form	Component material	D	D1	L	B
K0984.008040012	A	Steel	8	5	40	9,7
K0984.008050012	A	Steel	8	5	50	9,7
K0984.010060012	A	Steel	10	6	60	12,7
K0984.010070012	A	Steel	10	6	70	12
K0984.013080012	A	Steel	13	8	80	15,5
K0984.016100012	A	Steel	16	10	100	20
K0984.016120012	A	Steel	16	11	120	20
K0984.018135012	A	Steel	18	12	135	22
K0984.020150012	A	Steel	20	13	150	25
K0984.020180012	A	Steel	20	14	180	25
K0984.023200012	A	Steel	23	16	200	28,5
K0984.008040022	A	Brass	8	5	40	9,7
K0984.008050022	A	Brass	8	5	50	9,7
K0984.010060022	A	Brass	10	6	60	12,7
K0984.010070022	A	Brass	10	6	70	12
K0984.013080022	A	Brass	13	8	80	15,5
K0984.016100022	A	Brass	16	10	100	20
K0984.016120022	A	Brass	16	11	120	20
K0984.018135022	A	Brass	18	12	135	22
K0984.020150022	A	Brass	20	13	150	25
K0984.020180022	A	Brass	20	14	180	25
K0984.023200022	A	Brass	23	16	200	28,5
K0984.113080012	B	Steel	13	8	80	16
K0984.116100012	B	Steel	16	10	100	20
K0984.116120012	B	Steel	16	10	120	20
K0984.118135012	B	Steel	18	12	135	22,5
K0984.120150012	B	Steel	20	13	150	25,5
K0984.120180012	B	Steel	20	14	180	25
K0984.123200012	B	Steel	23	16	200	29