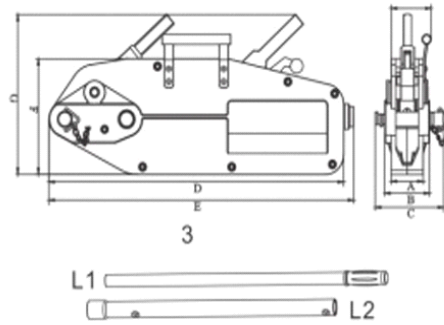


PULLING & LIFTING MACHINE



SPECIFICATIONS/DIMENSIONS (mm)

Description	MODEL			
	FHPL-08	FHPL-16	FHPL-32	FHPL- 54
CAPACITY				
a. LIFTING	0.8T	1.6T	3.2T	5.4T
b.PULLING	1.2 T	2.4T	4.8T	8.0T
ROPE DIA. (mm)	8.3	11	16	20
ROPE SAFETY FACTOR	5	5	5	5
LENGTH OF HANDLE (mm)	800	800/1200	800/1200	880/1350
DIMENSIONS(mm):				
A	44	56	70	90
B	60	68	98	160
C	101	120	150	200
D	420	545	645	935
E	430	556	666	940
F	172	200	227	300
G	240	270	320	410
RATED FORWARD HANDPOWER (n)	343	400	441	745
RATED FORWARD TRAVEL (mm)	>=52	>=55	>=28	>=30

