

BEAM CLAMPS

Ferretero versatile jaws designed to mount on a wide range of tapered or flat beams.

Ferretero Beam Clamps are made with high strength Alloy Steel. Each clamp is proof load tested 2 times of working load limit. Company name with logo (Ferretero), working load limit (WLL) and jaw opening all are mentioned in the clamps. Individual serial number and test certificate of proof load is provided with the clamps.

Maintenance replacement parts are available. ISO 9001 certified.

Versatile jaws designed to mount on a wide range of tapered or flat beams.

Built-in suspension bar allows for low headroom.

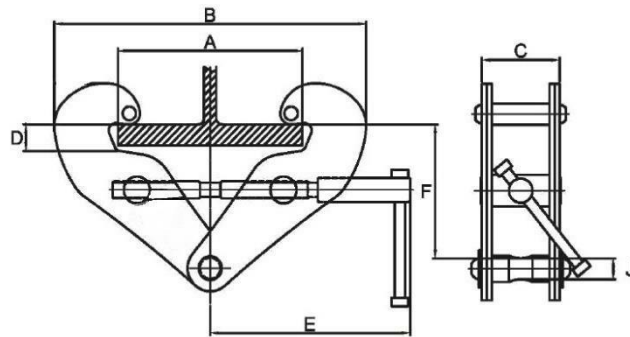
Easily installed and adjusted by hand.

Provides temporary or permanent mounting point for hook mounted hoists or lever puller.

Designed to minimize stress applied to beam.

Range from 1 ton to 5 ton.

Large capacities available on request.



Model	WLL	Beam Width	B	C	D	E	F	ØJ	Wight (Kg)
	(ton)	A							
BC-1	1	76-228	182-333	77	26	190	144-117	Ø20	4
BC-2	2	76-228	182-333	85	26	190	144-117	Ø20	5.1
BC-3	3	70-320	214-460	107	35	240	224-175	Ø22	9.9
BC-5	5	70-320	214-460	121	35	240	220-175	Ø28	11
BC-10	10	90-320	320-505	121	35	280	235-175	Ø40	