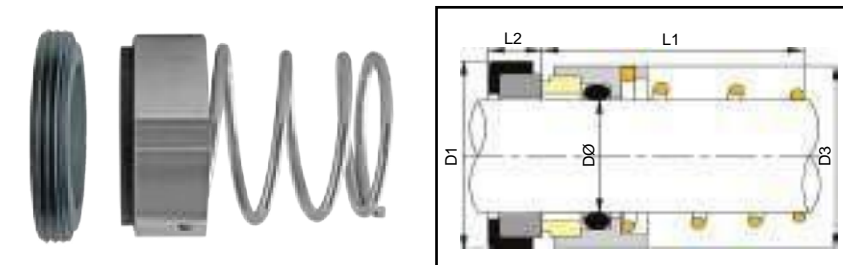


MTS seals for K.S.B.® pumps

MAK-TECH SEALS offer a wide range of seals from stock and to special order, to suit K.S.B.® equipment, especially centrifugal and waste-water pumps. Please contact us with O.E.M. details for cross reference and identification.

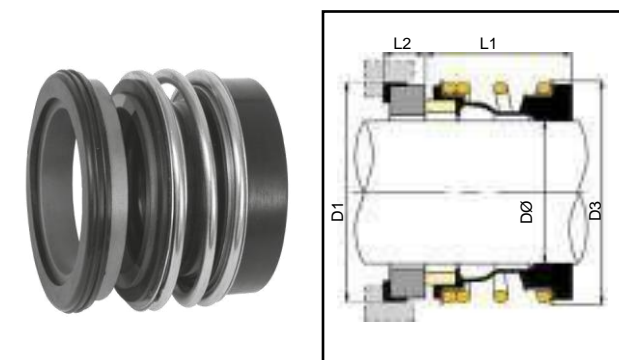
MTS 127B to suit eta- and sy- series pumps



MAK-TECH SEALS manufacture and stock 'O'-Ring mounted conical spring rotaries with MTS EBG1 boot mounted stationaries, to give operating dimensions to DIN L1N, for "ETA-" series pumps with "SY-, SYA-, SYN-, or SYT-" designations. These seals are available from stock in materials especially suitable for hot water duties.

SHAFT SIZE DØ	SIZE CODE	D1	D3	L1	L2
28.00	0280	43.00	40.00	42.50	7.50
38.00	0380	56.00	53.00	46.00	9.00
48.00	0480	66.00	64.00	51.00	9.00

MTS 192K to suit ETA- series pumps

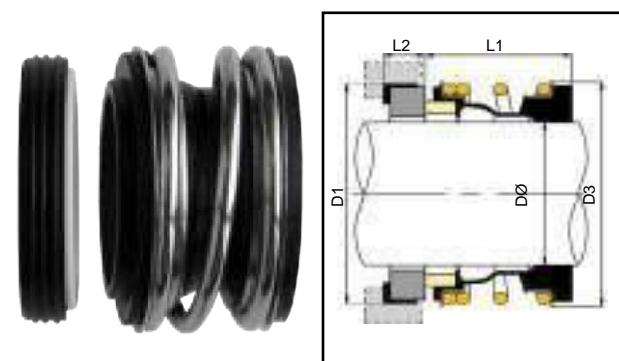


MAK-TECH SEALS manufacture and stock a range of elastomer bellow seals to suit the common Types of K.S.B.® "ETA-" series centrifugal pumps commonly found throughout the fluid industry.

Contact us with O.E.M. details for cross reference and identification.

SHAFT SIZE DØ	SIZE CODE	D1	D3	L1	L2
16.00*	0160	27.00	26.00	22.20	12.10
22.00	0220	37.00	36.00	25.50	12.10
28.00	0280	43.00	47.00	36.50	14.40
38.00	0380	56.00	58.00	42.00	13.20
48.00	0480	66.00	69.00	50.50	9.60

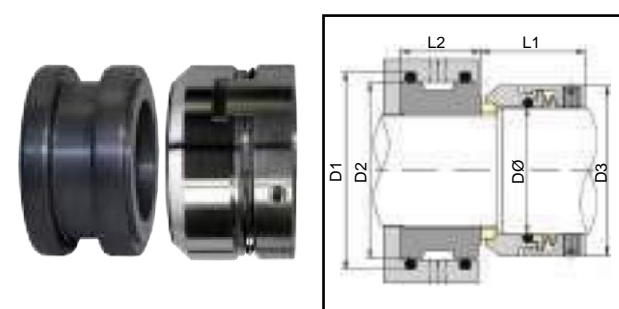
MTS 197 to suit AMA-, KRT-, and SEWA- series pumps



MAK-TECH SEALS manufacture and stock a range of elastomer bellow seals to suit the specific dimensions of K.S.B.® "AMA-", "KRT-" and "SEWA-" series waste-water pumps with "SU-" prefix seals installed. 25mm size is commonly used in the 'oil bath' position, with 22mm MTS EBG1 in the 'outer' position, 33mm sizes are used in pairs in the same pump series. 28mm is commonly used in "Vitachrom" pumps in tandem with MTS 127B.

SHAFT SIZE DØ	SIZE CODE	D1	D3	L1	L2
25.00	0250	38.00	41.00	23.00	7.50
28.00*	0280	43.00	47.00	26.50	9.00
33.00	0330	48.00	51.00	27.50	11.00

MTS 1678Y to suit various K.S.B.® pumps



MAK-TECH SEALS manufacture and stock two sizes of step-balanced, 'O'-Ring mounted wave-spring seals, with specific stationary design to replace O.E.M. seal. These seals are available from stock in materials especially suitable for hot water duties.

SHAFT SIZE DØ	SIZE CODE	D1	D2	D3	L1	L2
28.00	0330	55.20	48.80	47.00	38.50	25.00
33.00	0380	59.20	52.80	54.00	38.50	29.00