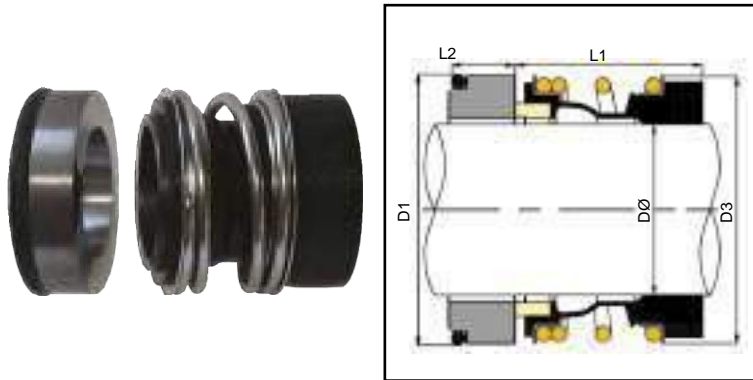


# MTS seals for GRUNDFOS® pumps

MAK-TECH SEALS manufacture and stock a wide range of standard range and specific seal Types to suit all Types of Grundfos® pumps. MAK-TECH SEALS for Grundfos® are dealt with in the following Food and Dairy Seals section. Please contact us with the O.E.M. details and part numbers for cross- reference and identification, if your requirement is not shown.

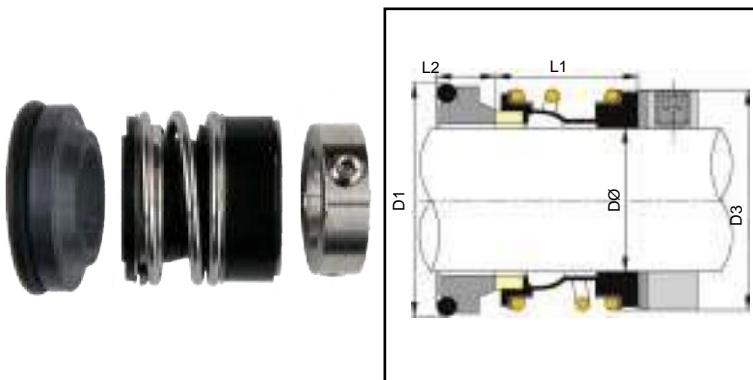
## MTS 192G Seals to suit Grundfos® pump ranges



MAK-TECH SEALS manufacture and stock MTS 192G elastomer bellow seals designed to replace the Grundfos® seal styles “A-” and “B-” with a single, superior performing and easier to install seal design, in the majority of their centrifugal pump ranges.

SHAFT SIZE DØ	SIZE CODE	D1	D3	L1	L2
12.00	0120	23.00	24.00	25.90	15.00
16.00	0160	27.00	28.00	28.40	12.30
22.00	0220	37.00	36.50	30.00	11.10
33.00	0330	48.00	51.00	35.00	7.50

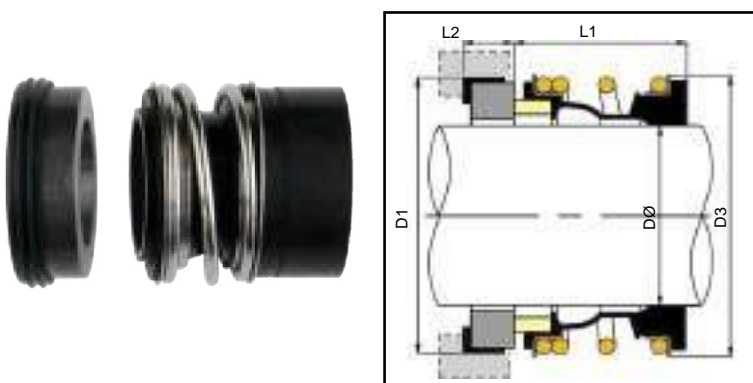
## MTS 196 16mm Seals to suit CP-Series pumps



MAK-TECH SEALS manufacture and stock 16mm elastomer bellow seals with spacer and clamp ring to suit the Grundfos® “CP” series pumps. Widely utilised in building service applications.

SHAFT SIZE DØ	SIZE CODE	D1	D3	L1	L2
16.00	0160	31.50	28.50	21.50	10.50

## MTS 196 22mm Seals to suit LP-Series pumps



MAK-TECH SEALS manufacture and stock 22mm elastomer bellow seals with special profile boot mounted seats to suit Grundfos® “LM”, “LP, LPD and LPE” series pumps. Widely utilised in building service applications.

SHAFT SIZE DØ	SIZE CODE	D1	D3	L1	L2
22.00	0220	37.00	36.00	33.00	12.00

## Type GRXA Seal to suit CR-Series pumps

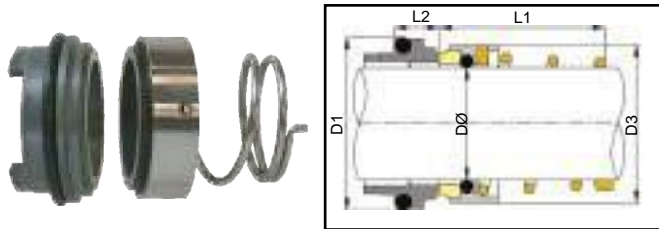


MAK-TECH SEALS manufacture and stock 12mm, 16mm and 22mm MTS GRXA push-fit semi-cartridge seals to replace Grundfos® “H” code seals installed in CR, CRI, CRIE series vertical multistage pumps and “CR15SF” models. MTS GRXA are intended for all standard clockwise rotation pumps.

# MTS seals for GRUNDFOS® pumps

The following Types are designed for Grundfos® submersible pump ranges formerly branded as Sarlin®.

## MTS 81 Seals to suit S-Series submersible pumps



MAK-TECH SEALS manufacture and stock 'O'-Ring mounted conical spring seals with positive drive, specifically designed to suit Grundfos® "S-" series pumps, with the older generation seal style installed. The O.E.M. older style seal is a conical single spring seal. For newer style seals, being multiple-spring, please see Types 40S8 and 42, at the foot of this page.

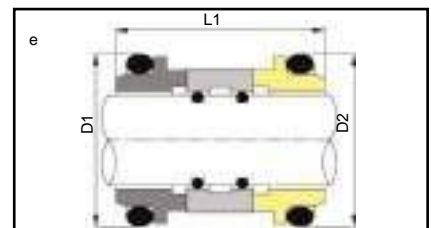
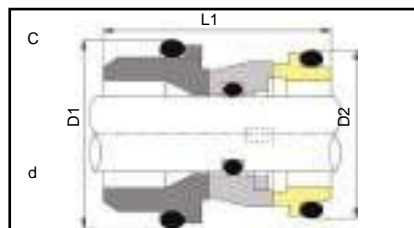
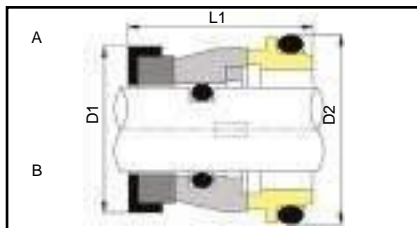
SHAFT SIZE DØ	SIZE CODE	D1	D3	L1	L2
25.00	0250	38.00	36.00	26.50	10.00
32.00	0320	48.00	46.00	28.50	11.00
38.00	0380	55.00	53.00	33.50	11.50

## MTS 86 Seals to suit SE- and SV-Series pumps

MAK-TECH SEALS manufacture and stock 'O'-Ring mounted double seals with varying face profiles, specifically designed for Grundfos® "SE-" and "SV-" series submersible pumps. Each size has a unique face profile, particularly relating to the central rotary face. Inboard seal and stationary faces are Monolithic Silicon Carbide, whilst the oil-bath side stationary is Monolithic Carbon.



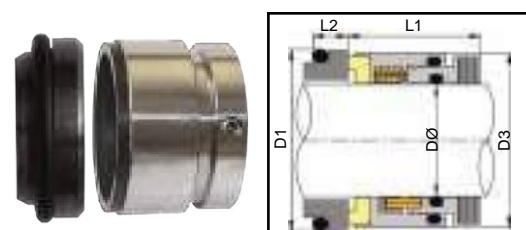
DIAGRAM	SHAFT SIZE DØ	SIZE CODE	STK CODE	D1	D2	L1
A	16.00	0160	86B	28.00	35.00	30.00
B	16.00	0160	86	28.00	35.00	30.00
C	24.00	0240	86	48.00	45.00	50.00
D	24.00	0300	86	48.00	45.00	50.00
E	38.00	0380	86	53.00	56.00	65.50



## MTS 40S8 and 42 Seals to suit S-Series pumps

MAK-TECH SEALS manufacture and stock 'O'-Ring mounted multi-spring, balanced seals, specifically designed for Grundfos® "S-" series submersible pumps; upper and lower positions. MTS 40S8 is for the upper, oil bath position, and MTS 42 with the distinctive stationary profile, is for the lower, impeller position. 65mm Size MTS 42 lower seal has a distinctive extended barrel with two 'O'-Rings to seal inside impeller recess, as per the original O.E.M. seal.

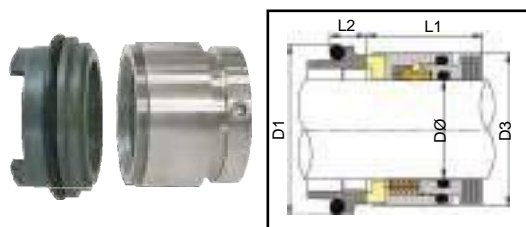
### MTS 40S8



SHAFT SIZE DØ	SIZE CODE	MTS CODE	D1	D3	L1	L2
38.00	0380	40S	56.00	53.00	34.00	11.00
50.00	0500	40S8	70.00	65.60	34.50	9.50
65.00	0650	40S8	85.00	84.20	36.50	11.00

Please refer to our extensive O.E.M. Database in our Web Portal or contact us with the O.E.M. details or part numbers for cross-reference and identification.

### MTS 42



SHAFT SIZE DØ	SIZE CODE	D1	D3	L1	L2
32.00	0320	48.00	46.00	34.00	11.00
38.00	0380	55.00	53.00	34.00	11.50
50.00	0500	70.00	65.60	34.50	14.00
65.00	0650	85.00	84.20	66.00	15.00