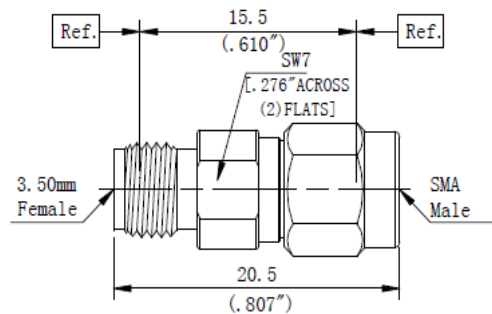


Synergy Telecom P Ltd.

3.5 mm F TO SMA M ADAPTOR

Part No: ST0235FSMA1101



Electrical:

Characteristic Impedance	50 ohm
Frequency Range	DC - 27 Ghz
VSWR	≤1.15@DC-27GHz
Insertion loss	0.1 dB

Mechanical:

Durability	Mating Cycles ≥500
------------	--------------------

Material and Plating:

	Material	Plating
Body	Stainless steel	Passivated
Insulator	PTFE(Teflon)	-
Center conductor	Beryllium Copper	Gold

Environmental:

Operating Temperature Range	-55°C ~ +165°C
RoHs	Compliant

WZ-47 BUDHELLA VILLAGE, VIKASPURI, NEW DELHI – 110018
PHONE: 011-28533349, MOB: 9810138894/9212558066, FAX: 011-28533349
EMAIL: info@rfconnector.in, WEBSITE: <http://rfconnector.in/>