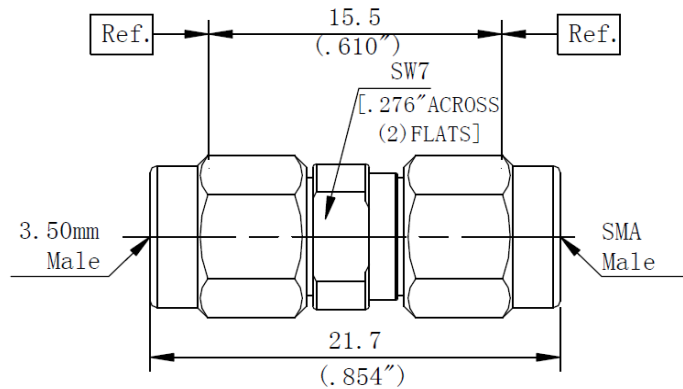


# Synergy Telecom P Ltd.

## 3.5 mm M TO SMA M ADAPTOR

**Part No: ST023535SMA1101**



### **Electrical:**

Characteristic Impedance	50 ohm
Frequency Range	DC - 27 Ghz
VSWR	≤1.15@DC-27GHz
Insertion loss	0.1 dB

### **Mechanical:**

Durability	Mating Cycles ≥500
------------	--------------------

### **Material and Plating:**

	Material	Plating
Body	Stainless steel	Passivated
Insulator	PTFE(Teflon)	-
Center conductor	Beryllium Copper	Gold

### **Environmental:**

Operating Temperature Range	-55°C ~ +165°C
RoHs	Compliant

WZ-47 BUDHELLA VILLAGE, VIKASPURI, NEW DELHI – 110018  
PHONE: 011-28533349, MOB: 9810138894/9212558066, FAX: 011-28533349  
EMAIL: [info@rfconnector.in](mailto:info@rfconnector.in), WEBSITE: <http://rfconnector.in/>