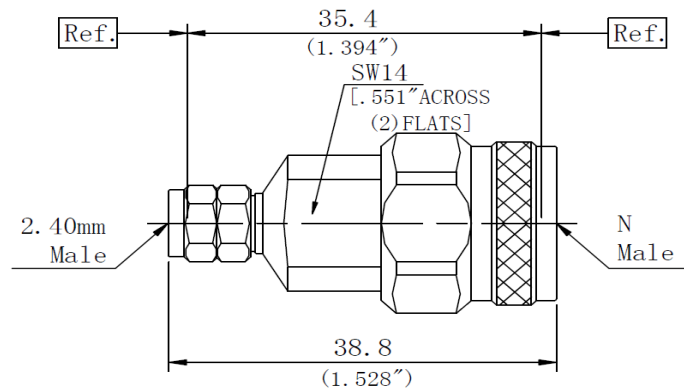


# Synergy Telecom P Ltd.

Part No- ST022.4-NMM018

## 2.4 MALE TO N MALE ADPATOR



### **Electrical:**

Characteristic Impedance  
Frequency Range  
VSWR

50 ohm  
DC-18Ghz  
 $\leq 1.15 @ DC-18GHz$

### **Mechanical:**

Durability

Mating Cycles  $\geq 500$

### **Material and Plating:**

	<b>Material</b>	<b>Plating</b>
Body	Stainless Steel	Polished & Passivated
Insulator	PTFE	
Center conductor	Beryllium Copper	Gold

### **Environmental:**

Operating Temperature Range  
RoHs

-55°C ~ +165°C  
Compliant

WZ-47 BUDHELLA VILLAGE ,VIKASPURI NEW DELHI-110018  
Phone: 011-28533349, Mob: 9810138894/9212558066, Fax: 011-28533349  
Email:- info@rfconnector.in, Website:- www.rfconnector.in