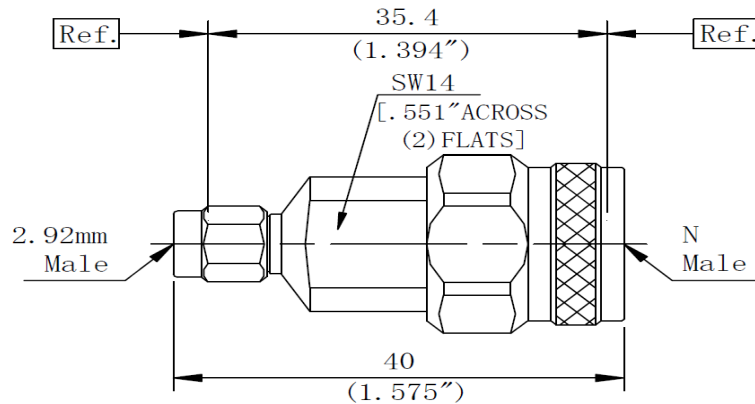


Synergy Telecom P Ltd.

Part No- ST022.92-NMM018

2.92 MALE TO N MALE ADPATOR



Electrical:

Characteristic Impedance
Frequency Range
VSWR

50 ohm
DC-18GHz
 $\leq 1.15 @ DC-18GHz$

Mechanical:

Durability

Mating Cycles ≥ 500

Material and Plating:

| | Material | Plating |
|------------------|------------------|-----------------------|
| Body | Stainless Steel | Polished & Passivated |
| Insulator | PTFE | |
| Center conductor | Beryllium Copper | Gold |

Environmental:

Operating Temperature Range
RoHs

-55°C ~ +165°C
Compliant

WZ-47 BUDHELLA VILLAGE ,VIKASPURI NEW DELHI-110018
Phone: 011-28533349, Mob: 9810138894/9212558066, Fax: 011-28533349
Email:- info@rfconnector.in, Website:- www.rfconnector.in