



IOTAFLOW
SYSTEMS PVT LTD

Water Meter

Catalogue 2017



WATER MEASUREMENT



NUBIS

PROPELLER WATER METER
WITH HORIZONTAL IMPELLER AXLE



Nubis is propeller, dry water meter Woltman's type, with horizontal impeller axle, parallel to pipe axes. Nubis water meters are characterized by modern construction and technology solutions, which make them long-lasting and perfectly proved in cooperation with pulse transmitters and remote system for measuring data readings.



APPLICATION

Water meters are assigned to industrial measurements of water usage up to 30 degrees of cold water and up to 130 degrees of hot water in relatively regular and strong flow rate. Construction of the water meter gives possibility of mounting on horizontal, vertical and inclined water supply systems with counter set upwards, sideways or in medium position **H-V**. Optionally, there is available version of water meter for demineralised water for DN40-150 (cold and hot water) and with the input for pressure sensor (M14x1,5) for DN50-150.





WATER METERS MWN TYPE



WITH RADIO MODULE



WITH PULSE TRANSMITTER



WITHOUT PULSE TRANSMITTER

ADVANTAGES

- Permanent and efficient construction, ensuring the flow of water in low loss of pressure and easiness in assembly in random waterworks installations.
- Lowered weight of water meter.
- Interchangeable and unified metering layer fitting to several sizes of body and assuring optimal water meter management.
- Standard water meter is suitable for remote readings in AMR system.
- The possibility of mounting the water meter in the intermediate position without the influence on the metrological parameters, larger possibilities in designing and modernizing new used water meters connections.
- Very good anticorrosive and mechanical qualities of paint coat (powder paint- epoxy).

CHARACTERISTIC FEATURES

- Resistant to the external magnetic field, according to EN14154-3
- Low starting slow rate
- Wide measuring range
- Ease read-out due to a freely adjustable rotary counter dial placed in the casing
- Possibility of electronic check-up of the metrological parameters of the water meter
- Modular structure
- Removable measuring insert in covered casing
- Magnetic clutch

ACCORDANCE WITH STANDARDS AND RULES OF LAW

- 2004/22/EC directive of the European Parliament and the Council of Europe from the March 31 2004 on measuring instruments
- PN-EN-14154:2005- Water meters. Part 1÷3
- OMIL R49:2004 and 2006- Water meters designed for measuring cold drinking water and hot water
- Research certificate WE type- cold water no. SK08-MI001-SMU002, hot water no. SK10-MI001-SMU013
- MWN water meters have applied Hygienic Attests (PZH) allowing the product to contact with drinking water
- Mechanical classification of environmental conditions - Class M1 - by RMG dated 18.12.2006
- Classification of environmental conditions, climate and mechanical - Class B - PN-EN-14154-3: 2005 + A1,
- Classification of electromagnetic environmental conditions-Class E1 - by RMG dated 18.12.2006



Roller-pointer counter housed, adapted for the radio module, it co-operates with NK and NO transmitters. The counter mechanism is equipped with the element of optical data transition is housed in the plastic airtight casing



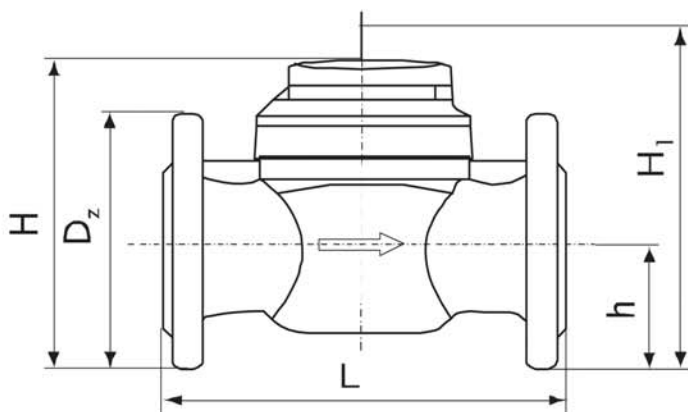
IP68 counter (only for cold water) co-operates with NK transmitter and is placed in the copper cover, in the airtight casing closed with mineral glass

Possibility of remote counting of water volume and low rate in the AMR system



Table 1. TECHNICAL CHARACTERISTICS

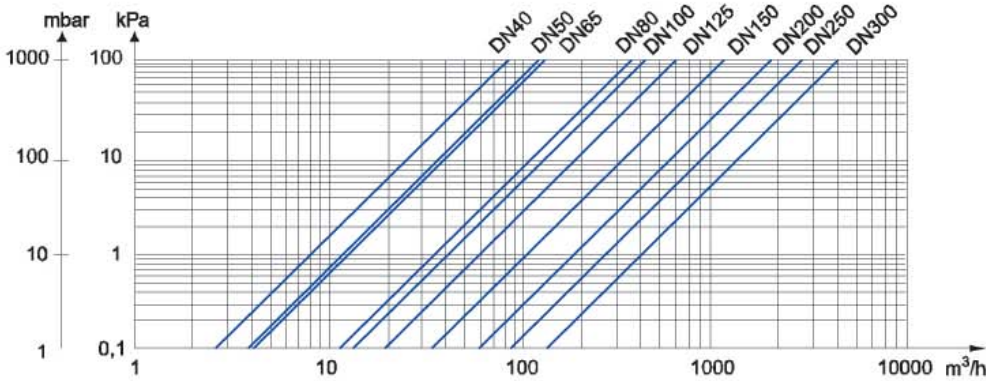
Parameter			MWN, MWN-XX											
Nominal diameter	DN	mm	40	50	65	80	100	125	150	200	250	300		
Temperature class (Working temperatures range)	T30 (0,1 ÷ 30°C), T50 (0,1 ÷ 50°C)		MWN (without transmitter) or MWN (with transmitter) in NK, NO, NKO, NKOP optio											
Constant flow rate	Q ₃	m ³ /h	25	40	63	100	160	250	400	630	1000	1600		
Overload flow rate	Q ₄	m ³ /h	31,25	50	78,75	125	200	312,5	500	787,5	1250	2000		
Transitional flow rate	Q ₂	m ³ /h	0,4	0,64	0,806	1	1,28	2,5	3,2	8,064	16	20,48	25,6	
Minimal flow rate	Q ₁	m ³ /h	0,25	0,4	0,504	0,625	0,8	1,563	2	5,04	10	12,8	16	
Starting flow rate	-	m ³ /h	0,15	0,15	0,2	0,25	0,25	0,5	1,0	1,5	3	8		
R measuring rate	Q ₃ /Q ₁	-	100	100	125	160	200	160	200	125	100	125	100	
Coefficient	Q ₂ /Q ₁	-	1,6											
Temperature class (Working temperatures range)	T130 (0,1 ÷ 130°C)		MWN (without transmitter) or MWN (with transmitter) in NK, NKP optio											
Constant flow rate	Q ₃	m ³ /h	25	25	40	63	100	160	250	400	630	1000		
Overload flow rate	Q ₄	m ³ /h	31,25	31,25	50	78,75	125	200	312,5	500	787,5	1250		
Transitional flow rate	Q ₂	m ³ /h	1	1	1,6	2,52	4	6,4	10	16	40,32	64		
Minimal flow rate	Q ₁	m ³ /h	0,625	0,625	1	1,575	2,5	4	6,25	10	25,2	40		
Starting flow rate	-	m ³ /h	0,25	0,25	0,3	0,35	0,6	1,1	2	4	8	15		
R measuring rate	Q ₃ /Q ₁	-	40	40	40	40	40	40	40	40	25	25		
Coefficient	Q ₂ /Q ₁	-	1,6											
Clase de resistencia al perfil de caudal	-	-	U0, D0											
Indication range	-	m ³	10 ⁶					10 ⁷						
Accuracy of indication	-	m ³	0,0005					0,005				0,05		
Upper pressure limit	P _{max}	-	MAP16=(16bar)											
Working pressure range	-	bar	from 0,3 to 16											
Max pressure lost	-	kPa	ΔP16=(0,16bar)											
Working position	-	-	H, V											
Border range error allowed	ε	%	±5% (Q ₁ ≤ Q ≤ Q ₂) ±2 (Q ₂ ≤ Q ≤ Q ₄) for 0,1 ≤ T ≤ 30°C ±3 (Q ₂ ≤ Q ≤ Q ₄) for T > 30°C											
NK Reed Switch pulse transmitter	-	dm ³ /imp.	1000 (standard impulsion) 2,5; 10; 25; 100; 250						10000 (standard impulsion) 25; 100; 250; 1000; 2500;					
			250; 1000; 2500;						250; 1000; 2500;					
Optoelectronic impulse transmitter NO**	-	dm ³ /imp.	1						10		105,2632			
Dimension	L	mm	200	200	200	225/200***	250	250	300	350	450	500		
	h	mm	65	72	83	95	105	120	135	160	193	230		
	H	mm	177	187	197	219	229	257	357	382	427	497		
	H ₁ ****	mm	227	287	297	239	349	377	582	607	652	722		
	D _z	mm	150	165	185	200	220	250	285	340	400	460		
Weight	without transmitter		kg	7,9	9,9	10,6	13,3/13,8***	15,6	18,1	40,1	51,1	75,1	103,1	
	with transmitter NK NO			8,3	10,3	11	13,7/14,2***	16	18,5	40,5	51,5	75,5	103,5	



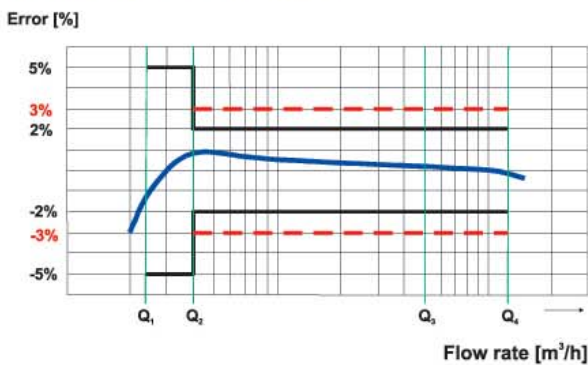
*) Quality: NK- Reed Switch transmitter, NKP- water meter adapted for Reed Switch, NO- optoelectronic transmitter, NKO- optoelectronic and Reed Switch transmitter, KNOP- water meter adapted for optoelectronic and Reed Switch transmitter.
 **) Only for T30 and T50.
 ***) On request.
 ****) Space for measuring insert removal.

TFlange drilling according to PN-EN 1092-2 (PN10), DIN2532, DIN2501 (NP10), BS4504 (NP10) on special request PN16 and PN25 quality for chosen sizes.

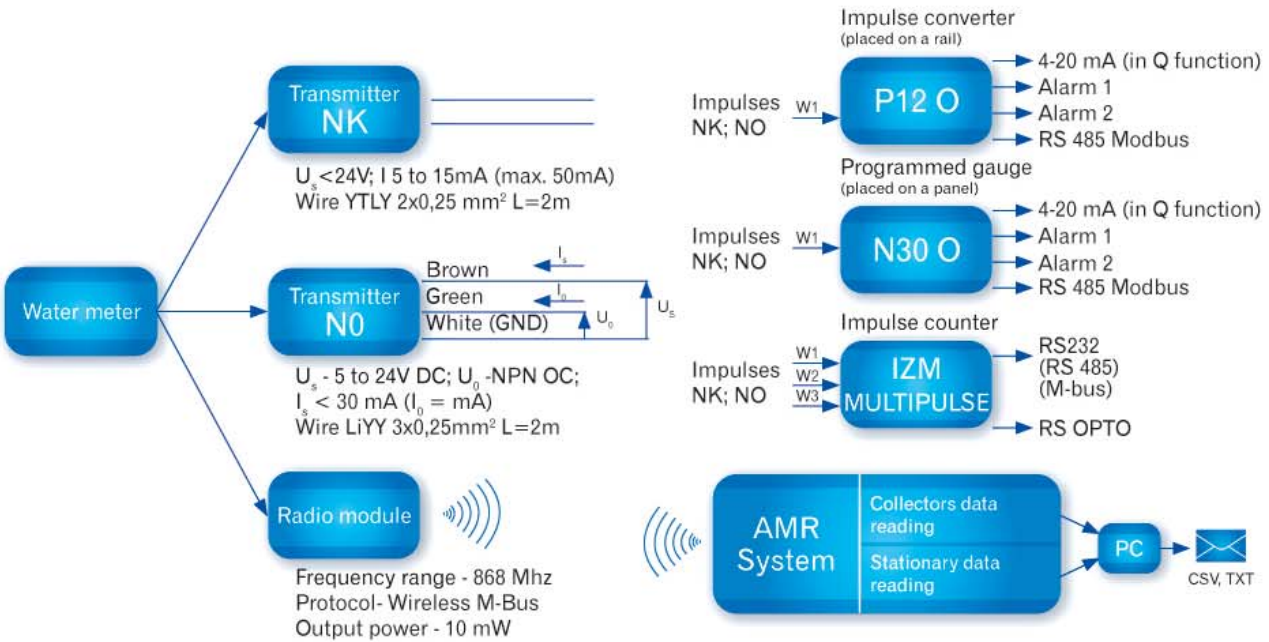
HEAD LOSS DIAGRAM



TYPICAL ERROR DIAGRAM



CONNECTION EXAMPLES FOR IMPLEMENTATION REMOTE INDICATION TRANSMITTING AND MEASURING THE FLOW RATE



Order example:
 Water meter for cold water: ex. MWN 50-NO or MWN 80-NK (1 dm³/imp) etc.
 Water meter for hot water: ex. MWN 130-100-NK (25 dm³/imp)

When ordering one should assess other data than the standard ones ex.: impulse value, Quality (ex. for demineralised water) or flange drilling – described earlier.e.



IOTAFLOW
SYSTEMS PVT LTD

Iota Flow Systems Pvt. Ltd.

A-2/13, Mayapuri Industrial Area
Phase-II, New Delhi-110064

Tel: +91-11-4625 4601-07

M: 9910693866

email: contact@iotaflow.com

Website: www.iotaflow.com

Timings: 09:30 am to 06:30 pm, Mon-Sat