



**PRESSURE SWITCHES  
PRESSURE DIFFERENCE SWITCHES  
VACUUM SWITCHES**  
From 1.5 mbar to 600 bar

# MT Temperature Switches

# CATALOGUE



Authorised Dealer

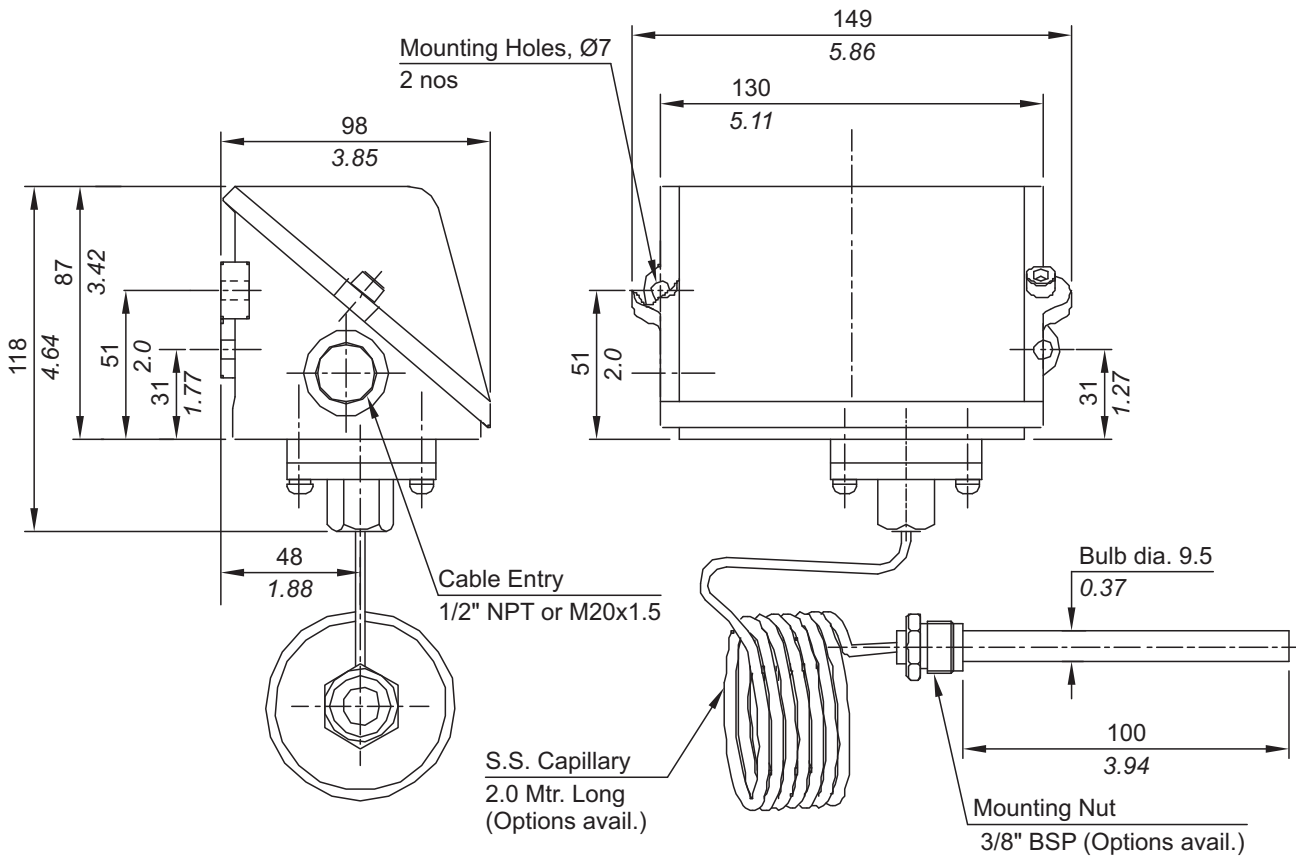


*NK Instruments Pvt. Ltd.*

B-501/504, 5th floor, Raunak Arcade, Near THC Hospital, Gokhale Road, Naupada,  
Thane(W) 400602. Maharashtra INDIA      Telefax Nos.: 91-22-25301330 / 31 / 32  
E-Mail: sales@nkinstruments.com      Web: <http://www.nkinstruments.com>  
Skype: nitinkelkarskype      Gtalk: nkinstruments2006



## INSTALLATION DRAWING



APPROX. DIMENSIONS IN  $\frac{\text{mm}}{\text{inches}}$

## RANGE SELECTION TABLE

Range Code	Range °C (°F)	Differential* °C (°F)	Maximum Working Temperature °C (°F)
		Approximate Maximum for "A1" microswitch	
T5T	0 - 50 (32 - 122)	15 (59)	150 (302)
T1H	25 - 90 (77 - 194)	15 (59)	150 (302)
T2H	70 - 150 (158 - 302)	20 (68)	200 (392)
T3H	120 - 215 (248 - 419)	30 (86)	300 (572)

\* Approximate differential at midrange for A1 microswitch. Differentials increase with setpoint. Differentials vary with microswitch combinations. Please consult sales office for details

## HOW TO ORDER INDUSTRIAL TEMPERATURE SWITCHES

Group 1	Group 2	Group 3	Group 4	Group 5	Group 6	Group 7	Group 8
Non standard allocation	Gas Group Classification	Cable Entry Size	Switch Type	Range Code (values in °C)	Microswitch Type	Temp. Bulb Material / Size	Capillary Material / Size
<input type="checkbox"/> Reserved for non-standard options not covered in catalogue. Will be given by manufacturer, only after agreement of supply details with customer.	<b>MT</b> = Industrial pressure switch with diecast Aluminium enclosure to IP66 as per IS/IEC 60529	<b>1</b> = Al. head 1/2" NPT threads <b>3</b> = Al. head M20 x 1.5 threads	<b>TF1</b> = Temperature Switch, fixed differential without scale <b>TF2</b> = Temperature Switch, fixed differential with scale in °C	<b>T5T</b> = 0 - 50 <b>T1H</b> = 25 - 90 <b>T2H</b> = 70 - 150 <b>T3H</b> = 120 - 215	<b>A1</b> = General purpose microswitch rated at 15 A, 250 VAC <b>A7</b> = 2SPDT switching elements	<b>B1</b> = Brass / Dia. 9.5 mm, 123 mm length, with 3/8" BSP (M) thermowell connection <b>B2</b> = Brass / Dia. 9.5 mm, 123 mm length, with 3/8" NPT (M) thermowell connection <b>B3</b> = Brass / Dia. 9.5 mm, 123 mm length, with 1/2" NPT (M) thermowell connection	<b>2</b> = SS316 / 2.0 meter

E.g. Industrial Temperature switch, with 1/2"NPT cable entry in aluminum housing as 1 SPDT, fixed differential with scale in °C, having 25°C to 90°C temperature range, with 15 Amp. microswitch, with Brass 9.5 mm diameter bulb, having length 123 mm with 3/8" BSP (M), with 2.0 meter SS316 capillary length shall be specified by

Group 1	Group 2	Group 3	Group 4	Group 5	Group 6	Group 7	Group 8
<input type="checkbox"/>	MT	1	TF2	T1H	A1	B1	2

Please specify full model number to avoid ambiguity.