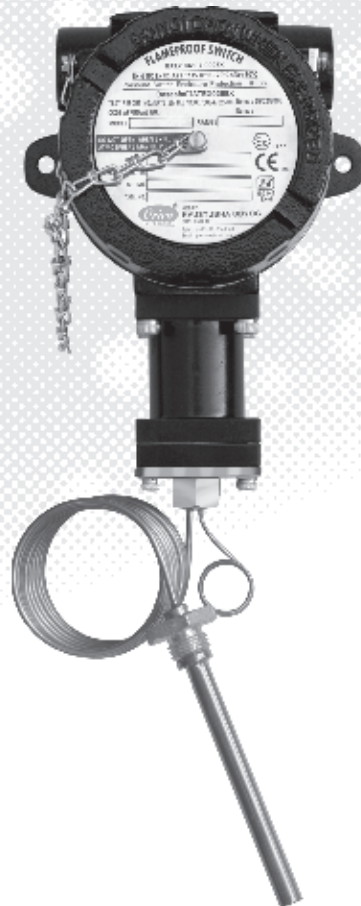




**PRESSURE SWITCHES  
PRESSURE DIFFERENCE SWITCHES  
VACUUM SWITCHES**  
From 1.5 mbar to 600 bar

# FC Temperature Switch

# CATALOGUE



Authorised Dealer



*NK Instruments Pvt. Ltd.*

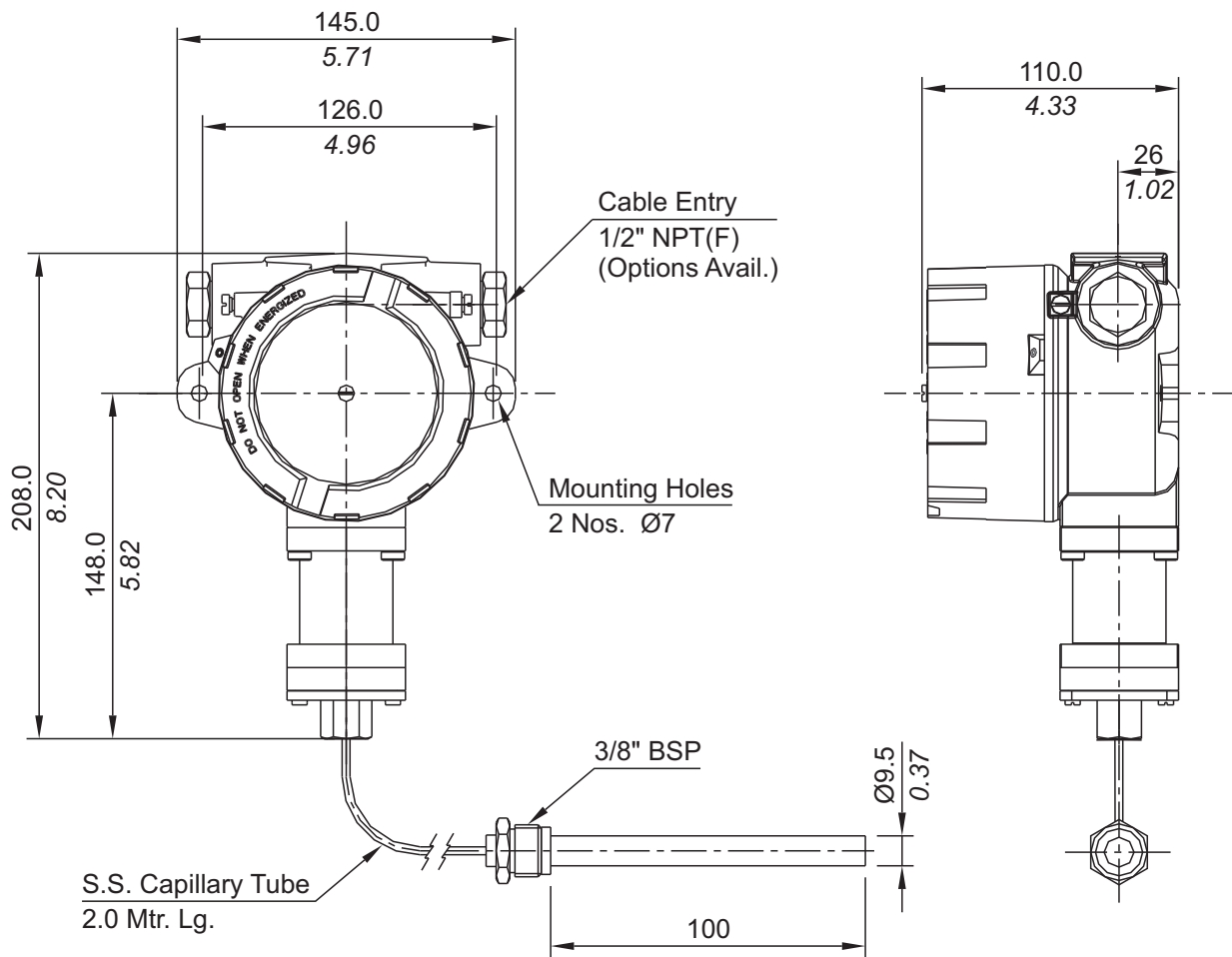
B-501/504, 5th floor, Raunak Arcade, Near THC Hospital, Gokhale Road, Naupada,  
Thane(W) 400602. Maharashtra INDIA      Telefax Nos.: 91-22-25301330 / 31 / 32  
E-Mail: sales@nkinstruments.com      Web: <http://www.nkinstruments.com>  
Skype: nitinkelkarskype      Gtalk: nkinstruments2006



# FC TEMPERATURE SWITCH



## INSTALLATION DRAWING



APPROX. DIMENSIONS IN  $\frac{\text{mm}}{\text{inches}}$

BULLETIN NO. : KA180118

# TEMPERATURE SWITCH FC

## RANGE SELECTION TABLE

| Range Code | Range °C | *On-off Differential °C | Maximum Working Temp. °C |
|------------|----------|-------------------------|--------------------------|
| T1H        | 25 - 90  | 15                      | 150                      |
| T2H        | 70-150   | 20                      | 200                      |
| T3H        | 120-215  | 30                      | 300                      |

\* Approximate differential at midrange for A1 microswitch. Differentials increase with setpoint. Differentials vary with microswitch combinations. Please consult sales office for details

# FC TEMPERATURE SWITCH

## HOW TO ORDER FLAMEPROOF TEMPERATURE SWITCHES

| Group 1   | Group 2  | Group 3   | Group 4   | Group 5  | Group 6   | Group 7  | Group 8                        |
|---|--|---|---|--|---|--|--------------------------------|
| Non standard allocation   | Gas Group Classification   | Cable Entry Size  | Switch Type   | Range Code (values in Deg. Cen.)   | Microswitch Type  | Temp. Bulb Size & Material   | Capillary Size & Material      |
| <input type="checkbox"/> Reserved for Non-standard Options not covered in Catalogue. Will Be given by Manufacturer, Only after Agreement of Supply details With customer. | <b>FC =</b><br>Flameproof temp. switch with diecast Aluminum Enclosure to IP66 | <b>1 =</b><br>1/2" NPT threads<br><b>2 =</b><br>3/4" NPT threads<br><b>3 =</b><br>M20 X 1.5 threads | <b>T1 =</b><br>Temperature Switch fixed differential without scale<br><b>T2 =</b><br>Temperature Switch fixed differential with scale | <b>T1H =</b><br>25 - 90<br><b>T2H =</b><br>70 - 150<br><b>T3H =</b><br>120 - 215 | <b>A1 =</b> General purpose microswitch rated at 15 A; 250 VAC<br><b>A7 =</b> 2SPDT switching elements<br><b>B6 =</b> Hermetically Sealed Gold Plated contact 2SPDT | <b>B1 =</b> Brass, Dia. 9.5 mm, 123 mm length, with 3/8" BSP (M) thermowell connection<br><b>B2 =</b> Brass, Dia. 9.5 mm, 123 mm length, with 3/8" NPT (M) thermowell connection | <b>2 =</b><br>2.0 meter, SS316 |

E.g. A Flameproof Temperature switch, with 1/2"NPT cable entry in aluminum housing as 1 SPDT, fixed differential without scale, having 25°C to 90°C temperature range, with 15 Amp. microswitch, with Brass 9.5 mm diameter bulb, having length 123 mm with 3/8"BSP(M), with 2.0 meter SS316 capillary length shall be specified by

| Group 1                  | Group 2 | Group 3 | Group 4 | Group 5 | Group 6 | Group 7 | Group 8 |
|--------------------------|---------|---------|---------|---------|---------|---------|---------|
| <input type="checkbox"/> | FC      | 1       | TF1     | T1H     | A1      | B1      | 2       |

Please specify full model number to avoid ambiguity.

Authorised Dealer



*NK Instruments Pvt. Ltd.*

B-501/504, 5th floor, Raunak Arcade, Near THC Hospital, Gokhale Road, Naupada, Thane(W) 400602. Maharashtra INDIA  
 E-Mail: sales@nkstruments.com  
 Skype: nitinkelkarskype  
 Telefax Nos.: 91-22-25301330 / 31 / 32  
 Web: http://www.nkstruments.com  
 Gtalk: nkstruments2006



BULLETIN NO. : KA180118