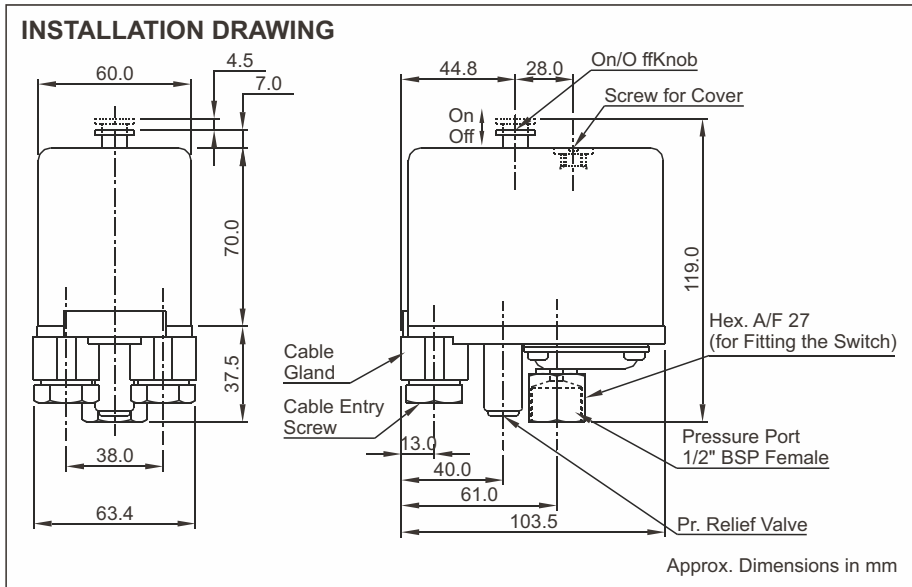


COMPRESSOR PRESSURE SWITCHES CS12

INSTALLATION AND OPERATING INSTRUCTIONS

Fig. 1.1



Mounting Please refer Fig. 1.1

1. Pressure switches can be mounted directly on process connection 1/2" BSP F nut with external size of 27 mm A/F.
2. In case, any other process connection is required then the same can be achieved using adaptor.
3. Please don't tighten the switch by holding the top cover. Use appropriate spanner for turning the process connection nut.



Electrical Connections & Wiring (Refer fig 1.2)

Wiring is to be carried out only when the switch is mounted and voltage free.

- (a) Remove the top cover by unscrewing the black screw.
- (b) Pass the cable through the cable gland and connect the wiring.
- (c) Basically there are two connection as shown in the figure 1.2 one for Line and another for Motor. Each has three wires for three phase. Please ensure appropriate connection of phase wires. Two earthing screws are provided to connect earthing wires from line and motor.

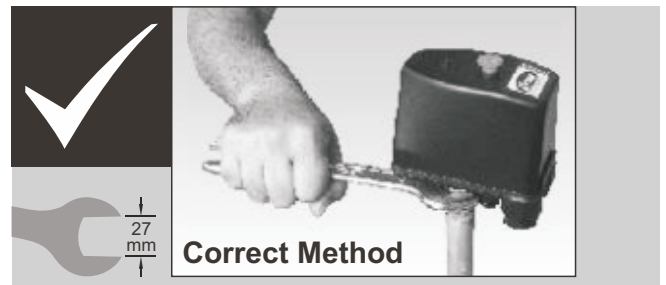
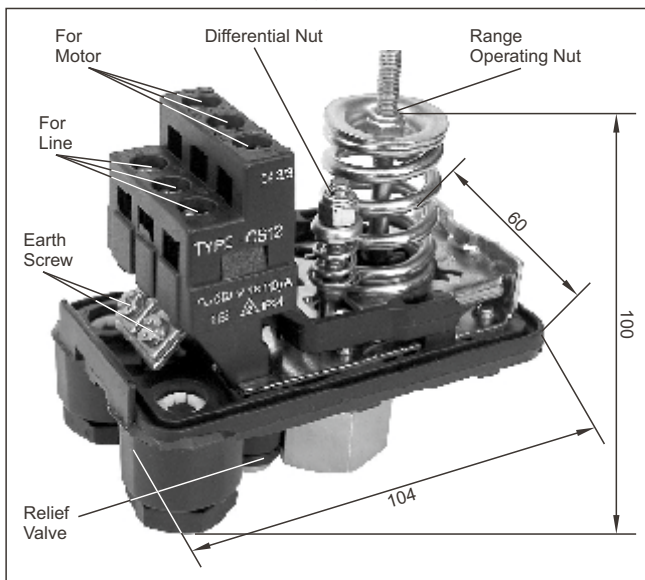


Fig. 1.2



Set Point Adjustment: Refer fig 1.2

Adjustment is to be carried out only when the switch is mounted,

under pressure and voltage free

- a. Remove the top cover.
- b. Decide the cut-in (lower) pressure (P1) and cut-out (upper) pressure (P2). (Pressure switch is closed when the pressure is between pressure P1 and P2.)
- c. Turn the Range nut and differential nut to extreme top position.
- d. Apply the desired cut-in pressure (P1) to pressure port.
- e. Turn the Range nut slowly till contacts changeover.
- f. Turn the differential nut to the extreme positive end (bottom position)
- g. Apply the desired cut-out (upper) pressure (P2) to pressure port.
- h. Turn the differential nut till the contacts changeover.
- i. Some minor adjustment will be required to achieve the exact cut-in (lower) / output (higher) point, which can be checked with the help of proper pressure measurement device.
- j. Replace the polymer cover after the adjustment of cut-in and cut-out point is achieved.

Authorised Dealer



NK Instruments Pvt. Ltd.

B-501/504, 5th floor, Raunak Arcade, Near THC Hospital, Gokhale Road, Naupada, Thane(W) 400602. Maharashtra INDIA
 E-Mail: sales@nkstruments.com
 Skype: nitinkelcarskype

Telefax Nos.: 91-22-25301330 / 31 / 32
 Web: <http://www.nkstruments.com>
 Gtalk: nkstruments2006

