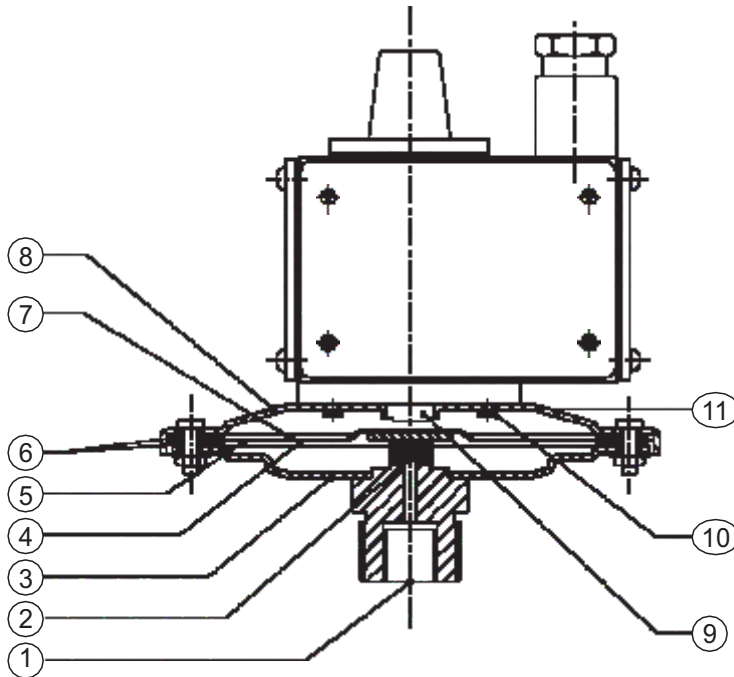




PRESSURE CAPSULE DETAILS



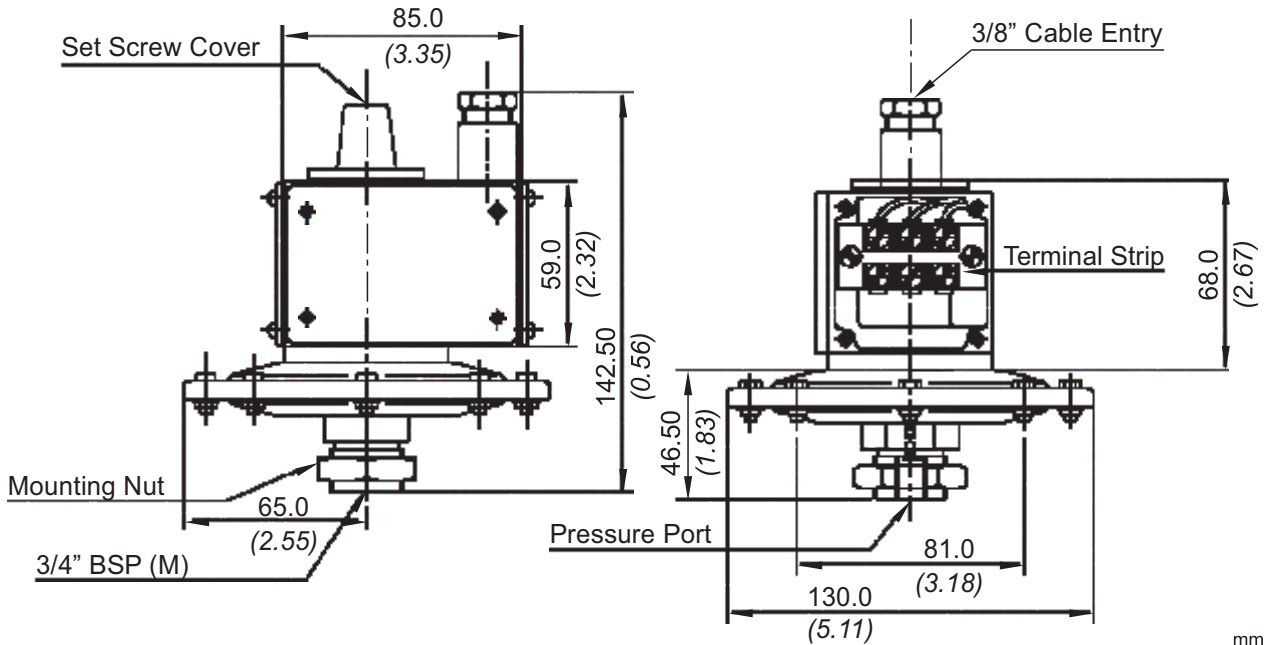
No. Description

1. Pressure Port (M.S.)*
2. Support Spring (S.S.)
3. Bottom Flange (M.S.)
4. Support plate (Aluminium)
5. Diaphragm (Neoprene)
6. Gasket (Nitrile)
7. Top Plate (Aluminium)
8. Top flange (M.S.)
9. Plunger
10. Top Flange Screw (M.S.)
11. Sealing 'O' ring (Nitrile)

*Pressure ports are brazed with flange

Note : wetted parts are mentioned in italics.

INSTALLATION DRAWING



*Pressure ports are brazed with flange

APPROX. DIMENSIONS IN $\frac{\text{mm}}{\text{inches}}$

LOW RANGE PRESSURE SWITCHES

MN & MA

General information:

MN /MA series low pressure range switches are housed in pressure die cast aluminum powder coated enclosure and are recommended for panel mounting or outdoor service based on the type of enclosure opted for. The repeat accuracy is better than $\pm 2\%$ FSR. A 3/8" cable entry is provided for cables and a terminal strip suitable for wired ends is provided inside the enclosure. Pressure port is 1/4" BSPF standard.

Features:

- Separate chamber for working parts
- Wide band adjustable differential in MA series.
- Choice of wetted parts to suit working media
- Electrical rating : 2A, 250 VAC; 0.2A, 250 VDC (res.)
- Proof pressure available is 1.5 times
- MWP Pressure port : 1/4" BSPF

Some Applications : Used in air dryers, low vacuum systems, etc.

Range Selection Table

Range Code	†Range mm wg ("wc)	Mn		MA	
		*Approximate Maximum Differential (Fixed) mm wg ("wc)	*Adjustable Differential mm wg ("wc)	Maximum Working Pressure bar (psi)	
L02	20 - 150 (0.787 - 5.905)	30 (1.181)	30 - 100 (1.181 - 3.937)	2 (29.00)	
L03	50 - 250 (1.969 - 9.843)	50 (1.969)	50 - 250 (1.969 - 9.843)	2 (29.00)	
L05	100 - 500 (3.937 - 19.685)	75 (2.952)	50 - 300 (1.969 - 11.811)	2 (29.00)	
L10	100 - 1000 (3.937 - 39.370)	100 (3.937)	100 - 600 (3.937 - 23.622)	2 (29.00)	
L15	100 - 1500 (3.937 - 59.055)	125 (4.921)	125 - 900 (4.921 - 35.433)	2 (29.00)	
L25	200 - 2500 (7.874 - 98.425)	150 (5.906)	150 - 1500 (5.906 - 59.055)	2 (29.00)	

*Minimum differential increases with set point (Graphs available on request)

†Rising pressure for MN series, falling pressure for MA series

How to order MN / MA low range pressure switches

Group 1	Group 2	Group 3	Group 4	Group 5	Group 6
Model	Range Code	Range Scale	Pressure Housing	Diaphragm	Enclosure
MN - Fixed Differential pressure switch MA- Adjustable differential pressure Switch	L - Low ranges	U - Uncalibrated C - Calibrated	M - M.S. S - SS316	0 - Neoprene 1 - Teflon	0 - IP 54 1 - IP 65

eg. A fixed diff. pressure switch, low pressure range from 200-2500 mmwg in uncalibrated style with M.S. pressure housing, a teflon diahgram & IP65 enclosure shall be specified by

Group 1	Group 2	Group 3	Group 4	Group 5	Group 6
MN	L25	U	M	1	1

Please specify full model number to avoid ambiguity. If only the first two groups are specified while ordering, uncalibrated switches with standard wetted parts and enclosures will be supplied.

Continuous efforts for product development may necessitate changes in these details without notice

Authorised Dealer



NK Instruments Pvt. Ltd.

B-501/504, 5th floor, Raunak Arcade, Near THC Hospital, Gokhale Road, Naupada, Thane(W) 400602. Maharashtra INDIA
E-Mail: sales@nkstruments.com
Skype: nitinkelkarskype

Telefax Nos.: 91-22-25301330 / 31 / 32
Web: <http://www.nkstruments.com>
Gtalk: nkstruments2006

