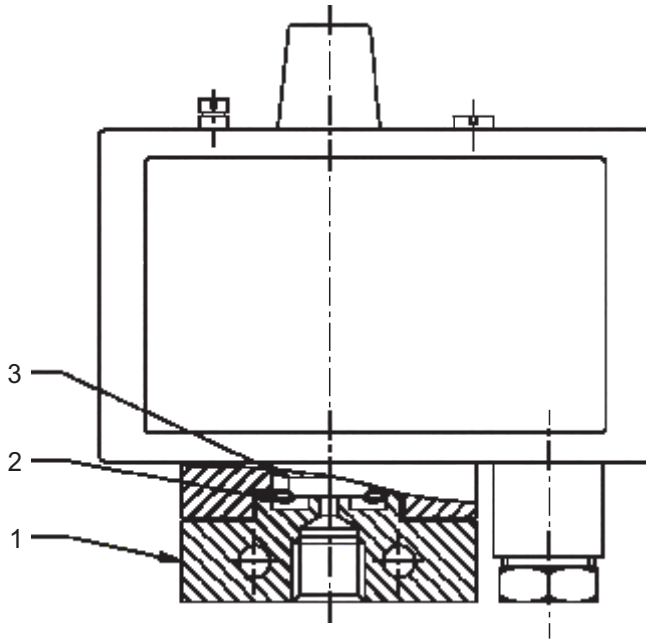


# MG / ME HIGH RANGE PRESSURE SWITCHES



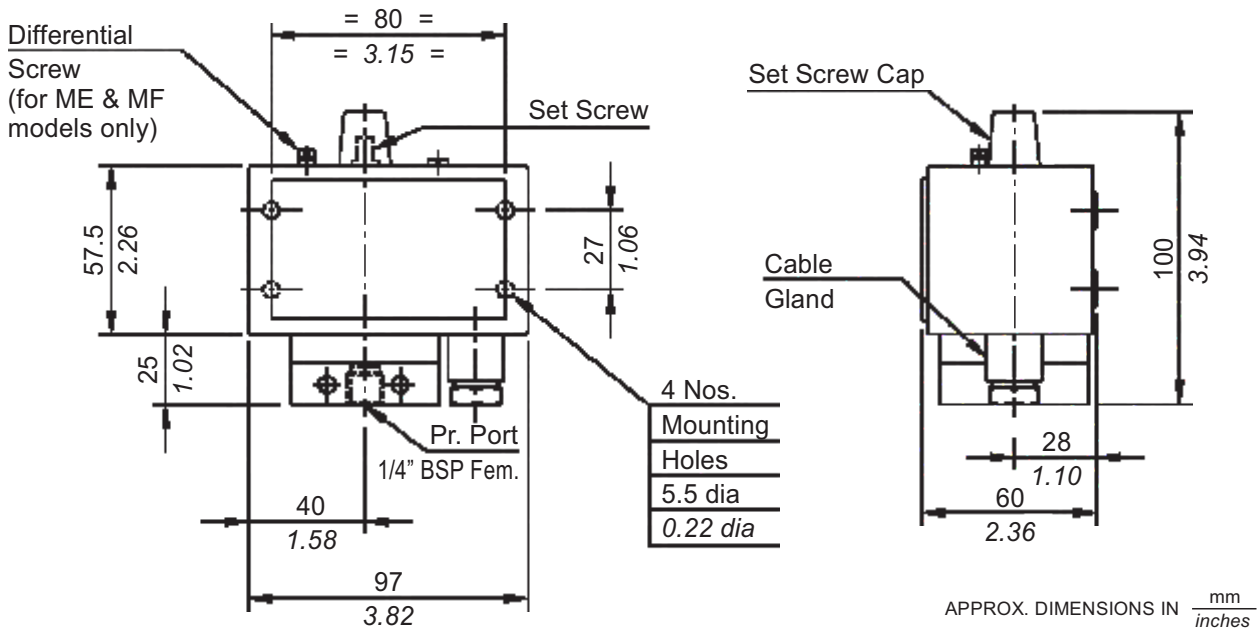
## PRESSURE CAPSULE DETAILS



- No. Description**
1. Pressure Housing
  2. Diaphragm
  3. Plunger

Note : *wetted parts* are mentioned in italics.

## INSTALLATION DRAWING



# HIGH RANGE PRESSURE SWITCHES MG / ME

## General information:

MG / ME series pressure switches are housed in pressed steel powder coated enclosure and are recommended for panel mounting or indoor service. The repeat accuracy is better than  $\pm 1.5\%$  FSR. A 3/8" cable entry is provided for cables and a terminal strip suitable for wired ends is provided inside the enclosure. Pressure port is 1/4" BSPF standard.

## Features:

Compact  
Choice of wetted parts to suit working media  
Electrical rating : 5A, 250 VAC; 0.2 A, 250 VDC (res.)  
Proof pressure available can be 4 times MWP (optional)  
Pressure port: 1/4" BSPF

**Some Applications :** Used in textile industries, furnaces, compressors, etc.

## Range Selection Table

| Range Code | Range †<br>bar (psi)           | MG   |  | ME                                    |  |
|------------|--------------------------------|--|--|---------------------------------------|--|
|            |                                | *Approximate Maximum<br>Differential bar (psi) | * Adjustable Differential<br>bar (psi) | Maximum Working<br>Pressure bar (psi) |  |
| LP         | 0.067 - 0.213<br>(0.96 - 3.09) | 0.02<br>(0.30)                                 | -                                      | 5<br>(72.52)                          |  |
| LP5        | 0.1 - 0.5<br>(1.45 - 7.25)     | 0.10<br>(1.45)                                 | -                                      | 5<br>(72.52)                          |  |
| H01        | 0.1 - 1.0<br>(1.45 - 14.50)    | 0.08<br>(1.16)                                 | 0.12 - 1.0<br>(1.74 - 14.50)           | 12<br>(174.05)                        |  |
| H02        | 0.1 - 1.5<br>(1.45 - 21.76)    | 0.10<br>(1.45)                                 | 0.3 - 1.0<br>(4.35 - 14.50)            | 12<br>(174.05)                        |  |
| H03        | 0.2 - 2.6<br>(2.90 - 37.71)    | 0.20<br>(2.90)                                 | 0.3 - 1.5<br>(4.35 - 21.76)            | 12<br>(174.05)                        |  |
| H04        | 0.2 - 3.6<br>(2.90 - 52.21)    | 0.20<br>(2.90)                                 | 0.3 - 1.5<br>(4.35 - 21.76)            | 12<br>(174.05)                        |  |
| H07        | 0.5 - 7.0<br>(7.25 - 101.53)   | 0.40<br>(5.80)                                 | 1.0 - 6.0<br>(14.50 - 87.02)           | 12<br>(174.05)                        |  |
| H10        | 0.5 - 10.0<br>(7.25 - 145.04)  | 0.60<br>(8.70)                                 | 1.5 - 8.0<br>(21.76 - 116.03)          | 25<br>(362.6)                         |  |
| H15        | 1.0 - 15.0<br>(14.50 - 217.71) | 0.60<br>(8.70)                                 | 1.8 - 10.0<br>(26.11 - 145.04)         | 25<br>(362.6)                         |  |
| H30        | 5.0 - 25.0<br>(72.52 - 362.6)  | 2.50<br>(36.26)                                | 2.5 - 10.0<br>(36.26 - 145.04)         | 35<br>(507.63)                        |  |

\*Minimum differential increases with setpoint (Graphs available on request)

† rising pressure for MG series; falling pressure for ME series

? approx 50 mm Hg to 160 mm Hg. Scale calibrated in mm Hg for this range only.

## How to order MG / ME series high range pressure switches.

| Group 1   | Group 2                              | Group 3        | Group 4                                 | Group 5                       | Group 6                        |
|---|--------------------------------------|----------------|---|-------------------------------|--------------------------------|
| Model   | Range Code                           | Range Scale    | Pressure Housing                        | Diaphragm                     | Enclosure                      |
| MG -<br>Fixed Differential Pressure<br>Switch<br>ME -<br>Adj. Differential Pressure<br>Switch | H - High range<br>Pressure<br>Switch | C - Calibrated | A - Aluminium<br>B - Brass<br>S - SS316 | 0 -<br>Neoprene<br>1 - Teflon | 0 - IP 40 as<br>per IS<br>2147 |

eg. A fixed differential pressure switch, high pressure range from 0.1-1.0 bar in calibrated style with brass pressure housing & a teflon diaphragm shall be specified by

| Group 1 | Group 2 | Group 3 | Group 4 | Group 5 | Group 6 |
|---------|---------|---------|---------|---------|---------|
| MG      | H01     | C       | B       | 1       | 0       |

Please specify full model number to avoid ambiguity. If only the first two groups are specified while ordering, calibrated switches with standard wetted parts will be supplied.

## Authorised Dealer



*NK Instruments Pvt. Ltd.*

B-501/504, 5th floor, Raunak Arcade, Near THC Hospital, Gokhale Road, Naupada,  
Thane(W) 400602. Maharashtra INDIA  
E-Mail: sales@nkstruments.com  
Skype: nitinkelarskype

Telefax Nos.: 91-22-25301330 / 31 / 32  
Web: http://www.nkstruments.com  
Gtalk: nkstruments2006

