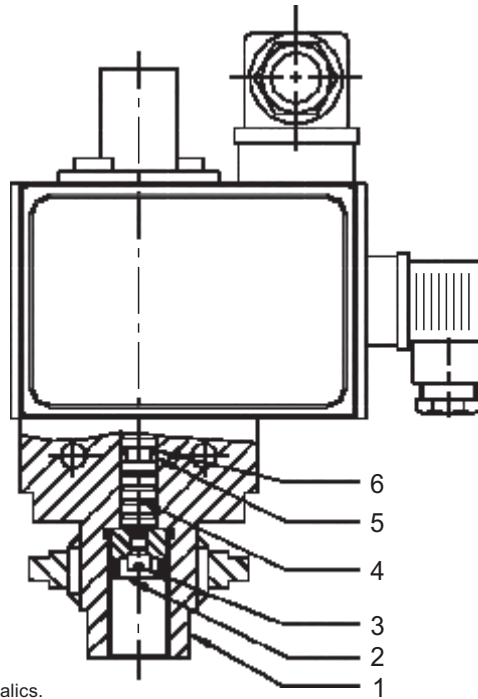


DK

2 SPDT HYDRAULIC PRESSURE SWITCHES (adjustable stage difference)



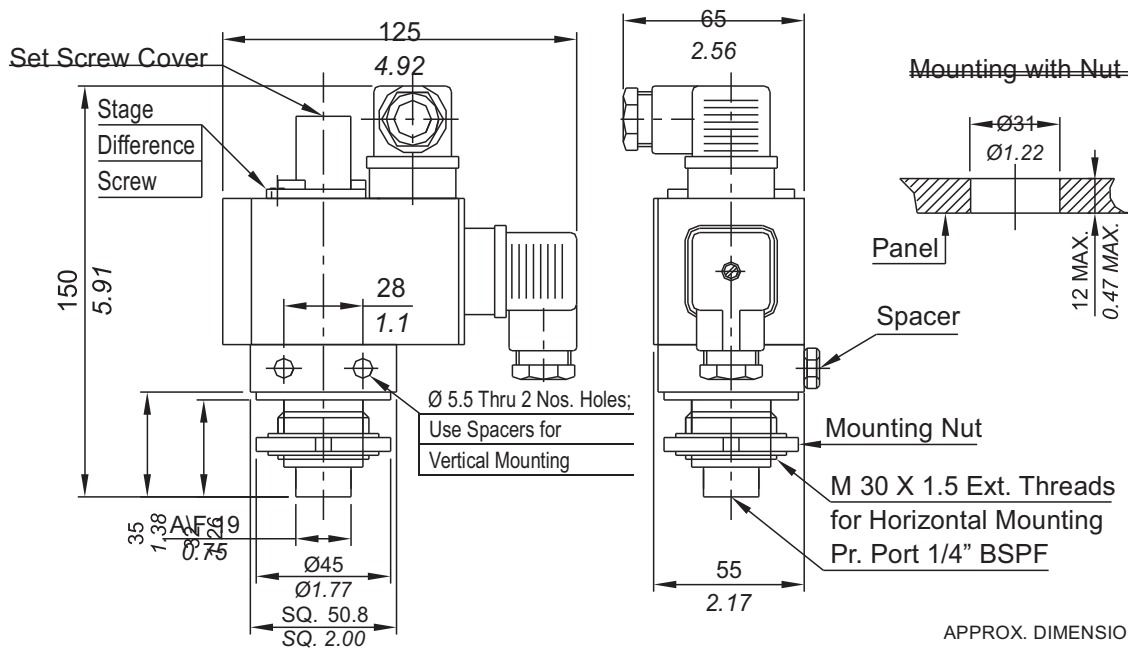
PRESSURE CAPSULE DETAILS



- | No. | Description |
|-----|------------------|
| 1. | Pressure Housing |
| 2. | Surge arrestor |
| 3. | Surge reducer |
| 4. | Piston |
| 5. | O ring |
| 6. | Backup ring |

Note : *wetted parts* are mentioned in italics.

INSTALLATION DRAWING



2 SPDT HYDRAULIC PRESSURE SWITCHES (adjustable stage difference)

DK

General information:

DK series pressure switches are housed in pressure die cast aluminium powder coated enclosure (IP65) and are recommended for panel mounting or outdoor service. Stage differential can be set in these 2SPDT versions (DK series). Both microswitches are synchronised for operation such that the stage difference (or gap) can be adjusted from minimum 15 % of FSR to a maximum of 50% of FSR (on falling setpoints). The repeat accuracy is better than 2 % FSR. Two separate connectors to DIN 43650 are provided for electrical wiring for two independent circuits. Pressure port is ¼ " BSPF standard.

Features:

- ! Compact
- ! Separate chamber for working parts
- ! Electrical rating : 5A, 250 VAC; 0.2 A, 250 VDC (res.)
- ! Choice of wetted parts to suit working media
- ! Pressure port : ¼" BSPF

Some Applications : Used in systems requiring an alarm and trip function, e.g. HI-HI/Lo-Lo setpoints, etc.

Range Selection Table

| Range Code | Range (rising pressure) bar (psi) | *Approximate Maximum Differential (Fixed) for low microswitch bar (psi) | * Approximate Maximum Differential (Fixed) for high microswitch at minimum gap bar (psi) | * Approximate Maximum Differential (Fixed) for high microswitch at maximum gap bar (psi) | Maximum Working Pressure bar (psi) |
|------------|-----------------------------------|---|--|--|------------------------------------|
| 040 | 5 - 40 (72.52 - 580.15) | 6 (87.02) | 8 (116.03) | 18 (261.07) | 80 (1160.3) |
| 100 | 10 - 100 (145.04 - 1450.38) | 12 (174.05) | 14 (203.05) | 75 (1087.87) | 200 (2900.76) |

*minimum differential rises with setpoint (Graphs available on request)

Wetted Parts Table for DK Series.

| | Standard | Optional | Special |
|------------------|-----------|----------|---|
| Piston | EN8 | S.S. | for special wetted parts through chemical seals, please refer page 330,331 & 332 and specify in text accordingly. |
| *Backup ring | Teflon | Teflon | |
| O ring | Viton | Viton | |
| Pressure housing | Aluminium | Brass | |
| Surge suppressor | EN8 | Brass | |
| Surge reducer | Brass | Brass | |

* Backup ring is not used in all pressure ranges. Please contact sales office for details.

How to order DK series 2SPDT hydraulic pressure switches.

| Group 1 | Group 2 | Group 3 | Group 4 | Group 5 |
|---|---------------------------------------|------------------|--|--|
| Model | Range | Range Scale | Wetted Parts | - |
| DK - 2 SPDT Fixed diff. Switch with adjustable stage difference | Please select as per range code table | U - uncalibrated | S - for Standard Wetted parts. B - for brass pressure housing, brass surge reducer & suppresser, SS piston. All seals of viton only X - Specify wetted parts in text as per wetted parts table Above | Reserved for nonstandard modifications. Code will be given by company. |

eg. A 2 SPDT fixed differential hydraulic pressure switch with adjustable stage difference, pressure range from 5 to 40 bar, with two no.s 5 A, 250 VAC microswitch and standard wetted parts shall be specified by

| Group 1 | Group 2 | Group 3 | Group 4 | Group 5 |
|---------|---------|---------|---------|---------|
| DK | 040 | U | S | - |

Please specify full model number to avoid ambiguity. Please refer range table & technical details table before arriving at any model number. If only the first two groups are specified while ordering, pressure switches with standard wetted parts will be supplied.

Continuous efforts for product development may necessitate changes in these details without notice

Authorised Dealer



NK Instruments Pvt. Ltd.

B-501/504, 5th floor, Raunak Arcade, Near THC Hospital, Gokhale Road, Naupada, Thane(W) 400602. Maharashtra INDIA
 E-Mail: sales@nkinstruments.com
 Skype: nitinkelkarskype

Telefax Nos.: 91-22-25301330 / 31 / 32

Web: <http://www.nkinstruments.com>

Gtalk: nkinstruments2006

