

COMBINATIONS

Gauge



Switch



Gauge + switch
(with a terminal strip inside)



Gauge + switch
(with a DIN plug on top)



Compound Gauge
(Centre Zero)



MOUNTING BRACKETS

Gauge



300 DGC

DP Range : 0 to 0 to 0.075 upto 4 bar
0 to 1 upto 60 psi

Specifications

Accuracy	±2% of the FSD (Ascending)
Migration	No migration ; Zero leakage from high to low port
Range	0-0.075 to 0-4 bar or equivalent ranges in other units
First marking on the scale	15% of the FSD
Sensing element	Diaphragm
Wetted parts	Diaphragm, body material, SS 302 spring & ceramic magnet
Case material	Stainless steel (SS 304)
Dial size in inch/mm	2.5", 3.5", 4", 4.5", 6", 63, 80, 100, 115, 150 mm
Mounting	Direct, front flange, 2" pipe & surface mounting
Maximum working pressure	100 bar / 1500 psi
Maximum process temperature	80°C / 175° F
Body material	Aluminum, Brass, SS 316 & Monel
Seals	Buna-N, Viton, EPDM diaphragm & 'O' rings
Window	Float glass (Std.), toughened glass, acrylic & safety glass
Connection	1/4" NPT (F) Std. Optional 1/4" BSP (F) with adaptor
Porting	In-line, rear, bottom, bottom & vent, in-line & vent, in-line & bottom.
Over range protection	Up to the max. working pressure from high side
Protection for gauge & switch	IP 65 / NEMA-4

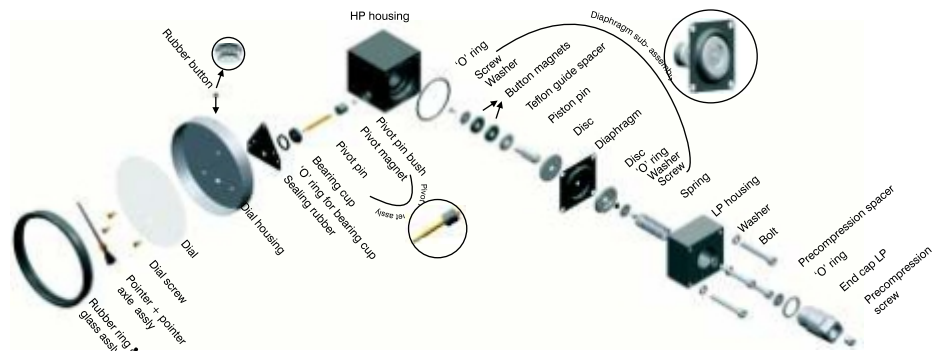
Options

- Liquid filling
- Red follower pointer (except 6")
- Customer logo
- Dual scale
- Colour band
- Filter mesh in (+) connection
- Descending calibration

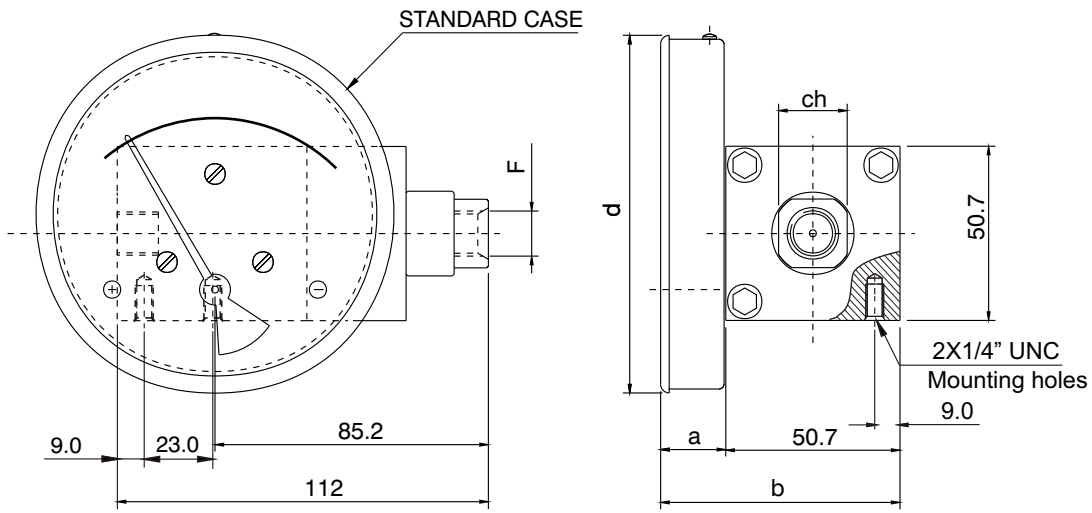
Switches (Adjustable in 30-100% of FSD)

- 1 or 2 SPSTs with a DIN plug
- 1 or 2 SPSTs with a terminal strip
- 1 SPST with a built in relay
- 1 or 2 SPDTs with a terminal strip
- 1 or 2 SPDTs with a DIN plug

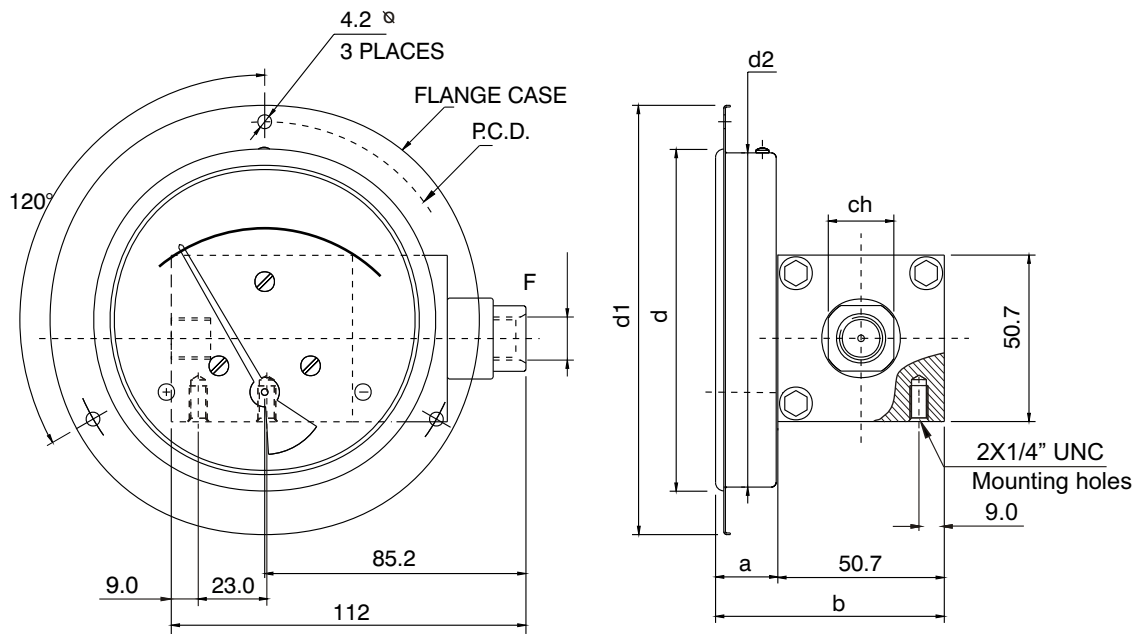
Instrument can be calibrated with square root scale for flow measurement.



STANDARD DIMENSIONS (MODEL 300 DGC)



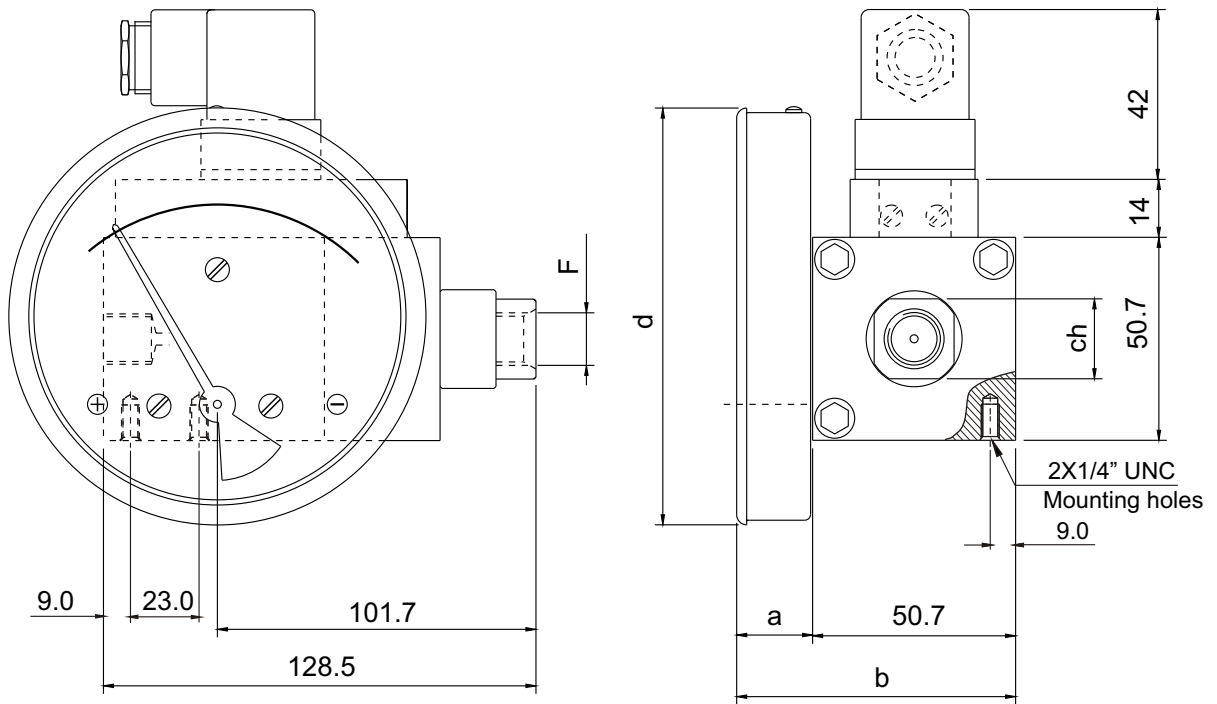
DIAL Ø	F	a	b	d	ch
63 (2.5")	1/4"BSP - 1/4"NPT	19	69.7	66	20
80 (3.5")	1/4"BSP - 1/4"NPT	19	69.7	83	20
100 (4")	1/4"BSP - 1/4"NPT	19	69.7	104.3	20
115 (4.5")	1/4"BSP - 1/4"NPT	19	69.7	119.7	20
150 (6")	1/4"BSP - 1/4"NPT	19	69.7	154.3	20



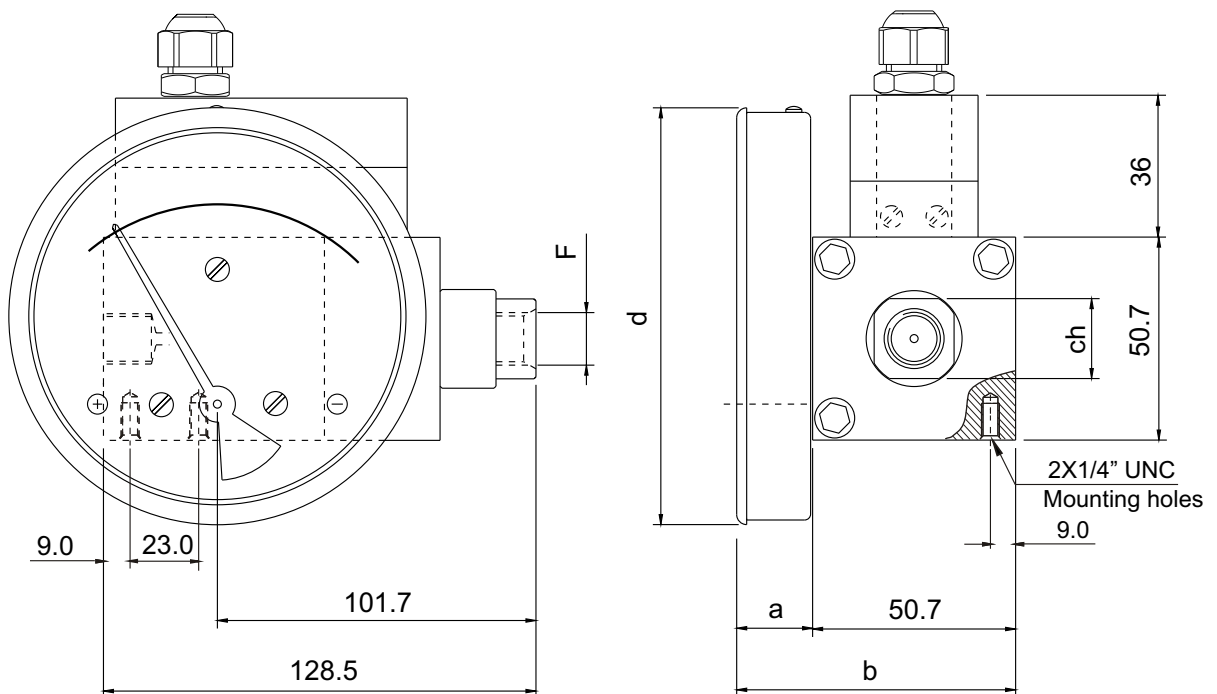
DIAL Ø	F	a	b	d1	d2	ch	p.c.d.	d *
63(2.5")	1/4"BSP - 1/4"NPT	19	69.7	93	65	20	83	66
80(3.5")	1/4"BSP - 1/4"NPT	19	69.7	109	82	20	99	83
100(4")	1/4"BSP - 1/4"NPT	19	69.7	131	102	20	121	104.3
115(4.5")	1/4"BSP - 1/4"NPT	19	69.7	146	117	20	136	119.7
150(6")	1/4"BSP - 1/4"NPT	19	69.7	181	152.5	20	171	154.3

* PANEL CUTOUT = d +1

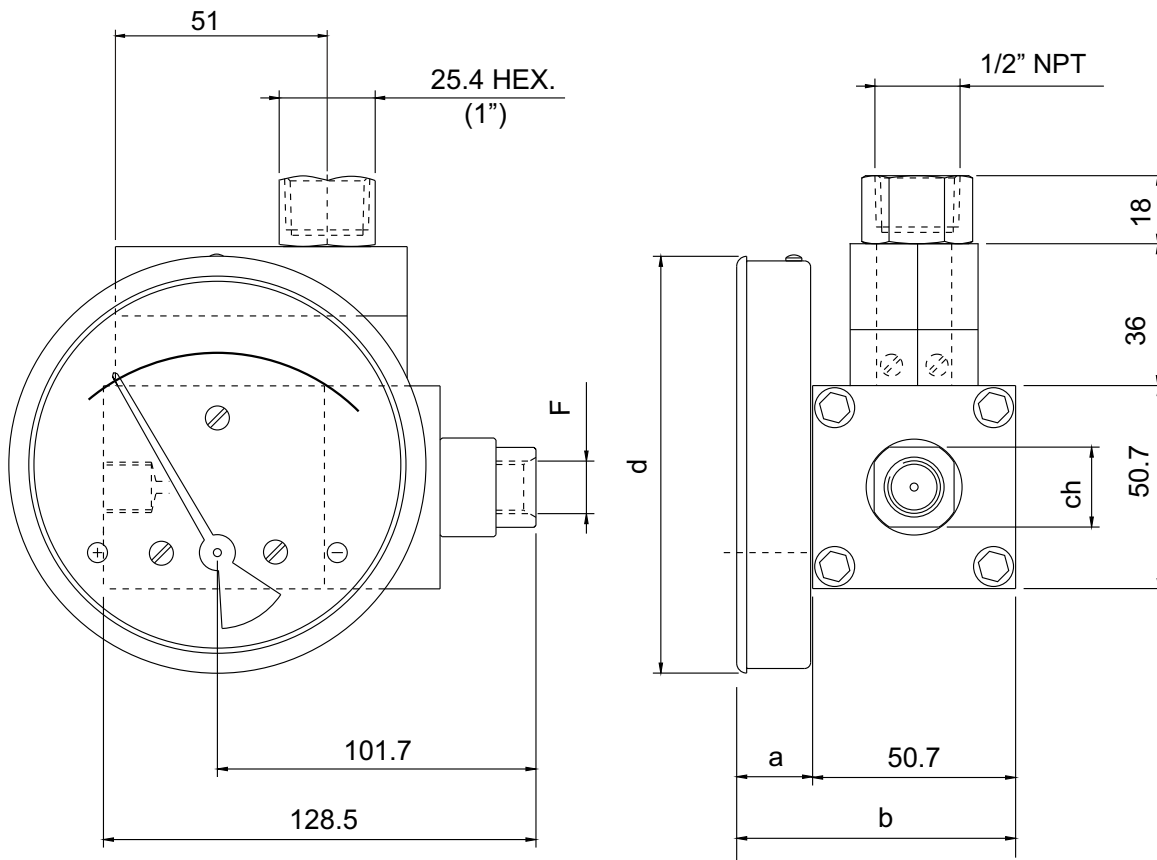
**GAUGE + SWITCH WITH REED CONTACTS WITH DIN PLUG AND TERMINAL STRIP
(MODEL 300 DGC)**



DIAL Ø	F	a	b	d	ch
63	1/4"BSP - 1/4"NPT	19	69.7	66	20
80	1/4"BSP - 1/4"NPT	19	69.7	83	20
100	1/4"BSP - 1/4"NPT	19	69.7	104.3	20
115	1/4"BSP - 1/4"NPT	19	69.7	119.7	20
150	1/4"BSP - 1/4"NPT	19	69.7	154.3	20



GAUGE + SWITCH WITH REED CONTACTS WITH TERMINAL STRIP & 1/2" NPT CONDUIT CONNECTION (MODEL 300 DGC)



DIAL Ø	F	a	b	d	ch
63	1/4"BSP - 1/4"NPT	19	69.7	66	20
80	1/4"BSP - 1/4"NPT	19	69.7	83	20
100	1/4"BSP - 1/4"NPT	19	69.7	104.3	20
115	1/4"BSP - 1/4"NPT	19	69.7	119.7	20
150	1/4"BSP - 1/4"NPT	19	69.7	154.3	20

Authorised Dealer



NK Instruments Pvt. Ltd.

B-501/504, 5th floor, Raunak Arcade, Near THC Hospital, Gokhale Road, Naupada,
Thane(W) 400602. Maharashtra INDIA
E-Mail: sales@nkinstruments.com
Skype: nitinkelkarskype

Telefax Nos.: 91-22-25301330 / 31 / 32
Web: <http://www.nkinstruments.com>
Gtalk: nkinstruments2006



SELECT MODEL

1 Series	300 DGC			
2 Type	G Gauge	S Switch		
	GS Gauge + Switch			
3 Body material	A Aluminum	S SS-316		
	B Brass	M Monel		
4 Dial size	2.0 2.0" (50mm)	4.0 4.0" (100mm)		
	2.5 2.5" (63 mm)	4.5 4.5" (115 mm)		
	3.5 3.5" (80 mm)	6.0 6.0" (150 mm)		
5 Connection	4N 1/4" NPT (F) (Std.)	4B 1/4" BSP (F)		
	ZZ Special connection sizes using adaptor			
6 Porting	1 In-line (Std.)	5 In-line & vent		
	2 Rear / Back	6 In-line & bottom		
	3 Bottom	7 Bottom vent & in-line		
	4 Bottom & vent	8 In-line & back		
7 Case	S4 SS 304 (Std.)	S6 SS 316		
	F4 SS 304 flange			
	EP Engineering polymer (available in 2.5", 4.5", 6.0" only)			
	BF Bayonet (available in 4.0" safety glass only)			
8 Window	F Glass (Std.)	A Acrylic		
	T Toughened glass	L Safety glass		
9 Seals/Diaphragm	B Buna-N (Std.)	E EPDM		
	V Viton			

Advantages :

Instrument automatically resets after line surges and cold start. This eliminates balancing of differential pressure instrument after such events.

Notes

- Up to 1% accuracy available on request.
- Top vent not available with switch option.
- For SS 316 case, please contact factory (MOQ applies).
- Liquid filling + Follower pointer available.
- Switch adjustment range between 30-100% of full scale deflection (FSD). For specific details, please contact factory.
- Mounting bracket: Aluminum (Standard) ; SS (Optional)

10 Switch

Select option & specifications

0	None
1	One SPST, with a DIN plug †
2	One SPST, with a terminal strip
2A	One SPST, with built in relay
3	Two SPSTs, with a DIN plug †
4	Two SPSTs, with a terminal strip

+

SPST Specifications (AC/DC max)

1 Standard	2	3	4
10 VA	40 VA	100 VA	60 VA
100 V	230 V	300 V	240 V
0.5 Amp	1 Amp	1 Amp	3 Amp
Adjustable	Adjustable	Adjustable	Adjustable

5	One SPDT, with a DIN plug †
6	One SPDT, with a terminal strip
7	Two SPDTs, with two DIN plugs
8	Two SPDTs, with a terminal strip

+

SPDT Specifications (AC/DC max)

1 Standard	2	3	4
3 VA	5 VA	5 VA	60 VA
30 V	125 V	175 V	400 V
0,3 Amp	0,25 Amp	0,25 Amp	1 Amp
Adjustable	Adjustable	Adjustable	Factory Set

Example: Switch selection 21 is 1 SPST with terminal strip with switch specifications 10VA, 100V, 0.5Amp

† DIN plug mounted on the top.

11 Range

Standard ranges : (Other ranges & units on request)

Kg/cm ²	0.075	0.25	-	0.5	0.75	1	-	1.6	2	2.5	3	-	4
bar	0.075	0.25	-	0.5	0.75	1	-	1.6	2	2.5	3	-	4
mbar	75	250	-	-	750	-	-	-	-	-	-	-	-
psi	1	-	5	8	-	15	20	25	30	-	40	50	60
kPa	-	25	-	50	75	100	-	160	200	250	300	-	400

12 Options

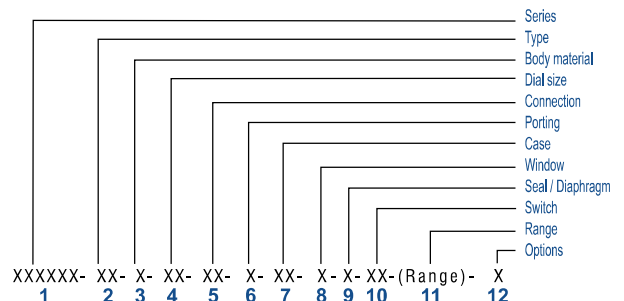
0	None
A	Glycerine*
B	Red follower pointer on acrylic window *
C	Customer Logo
D	Dual scale
E	Colour band
F	Filter mesh in (+) connection
G	Reverse Port**
H	Descending calibration (long delivery time)
N	NACE
S	Silicone oil*
I	Oxygen service (Contact factory)
M1	2" horizontal pipe mounting bracket
M2	Surface mounting bracket
M3	2" vertical pipe mounting bracket
Q	Metallic switch cover with tamper proof plastic plugs ***

* Affects accuracy

** Pointer moves from right to left

*** Minimum order quantity applies

Ordering code sequence



Contact factory for special execution.