

DHM

Diaphragm Seal
Heavy Duty Mini Sealed



CE

Special Features

- All AISI 316 SS construction
- Light weight
- Economical
- Ideal choice for high pressure
- The diaphragm is welded to the body to ensure separation of the filling fluid from the process medium

Application

- Diaphragm seals are designed to isolate the sensing element of pressure gauges and pressure switches from process fluids that they may be corrosive, viscous, sedimentous and / or with a high temperature

Specifications

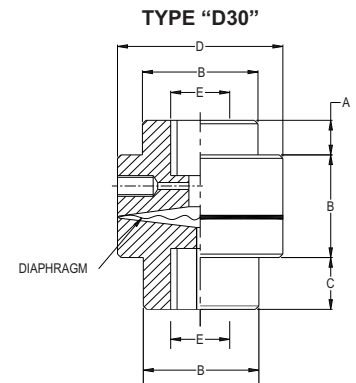
Standard Version

(Compatible models : PPS, SF6, WP6, WP4, DD1, DD2, DB, BEC, DEC)

Seal type & Range	: D63 = -1 kg/cm ² to 0 & 0 to 4 kg/cm ² (Standard)
	: D53 = 6 kg/cm ² to 70 kg/cm ²
	: D38 = 100 kg/cm ² to 400 kg/cm ²
	: D30 = 250 kg/cm ² to 600 kg/cm ²
Process temperature	: -40°C to 200°C or as per fill fluid
Instrument connection	: 3/8" BSP (F)
	: 1/4" BSP (F) for type D30
Process connection	: 1/2" BSP (M)
	: 1/4" BSP (F) for type D30
Fill fluid	: Silicon Oil - DC 200
Mounting	: Direct (without capillary)

Diaphragm	: AISI 316L SS
Body	: AISI 316 SS

Dimensions - Standard Version

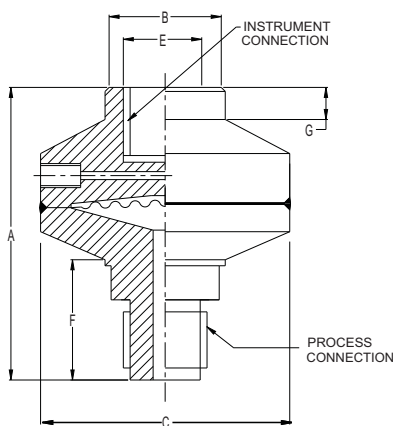


A	B	C	D	E	Approx. Wt.#
10	30	10	30	1/4" BSP(F)	300.0

(# Weight in grams with box for Standard Model.)

Dimensions - Standard Version

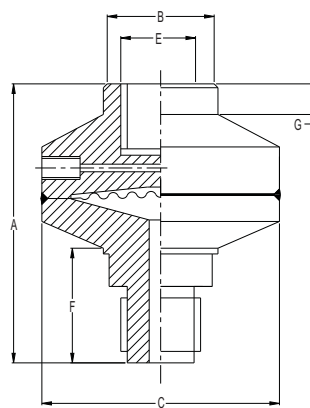
TYPE "D63"



A	B	C	E	F	G	Approx. Wt.#
67	30	62	3/8" BSP(F)	30	8	700.0

(# Weight in grams with box for Standard Model.)

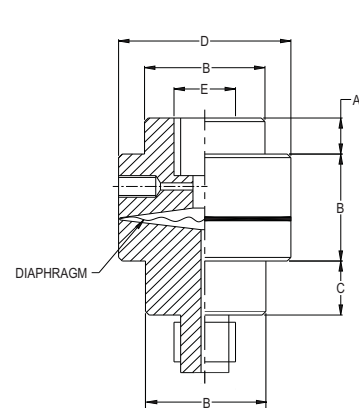
TYPE "D53"



A	B	C	E	F	G	Approx. Wt.#
68.5	30	53	1/2" BSP(F)	35	8	600.0

(# Weight in grams with box for Standard Model.)

TYPE "D38"



A	B	C	D	E	Approx. Wt.#
10	22	15	38	3/8" BSP(F)	350.0

(# Weight in grams with box for Standard Model.)

How to Order						
Basic Model						
Code					DHM	
Optional Extras						
[It is recommended that the MOC of Diaphragm should be equivalent.]						
SEAL TYPE						
D63 1 kg/cm ² to 0 & 0 to 4 kg/cm ² (Standard)	D38 100 kg/cm ² to 400 kg/cm ²					XXX
D53 6 kg/cm ² to 70 kg/cm ²	D30 250 kg/cm ² to 600 kg/cm ²					
Instrument Connection (*For seal type D30)						
2BF ¼" BSP (F) (Standard)*	3NF 3/8" BSP (F) (Standard)	4BF ½" BSP (F)				XXX
2NF ¼" NPT (F)		4NF ½" NPT (F)				
Top Chamber						
S6 AISI 316 SS (Standard)	SL AISI 316L SS	S4 AISI 304 SS				XX
Diaphragm						
SL AISI 316L (Standard)					XX	
Bottom Chamber						
S6 AISI 316 SS (Standard)	SL AISI 316L SS	HC Hastelloy 'C'	MO MONEL			XX
Process Connection (*For seal type S14)						
2BF ¼" BSP (F) (Standard)*	2NF ¼" NPT (F)	2NM ¼" NPT (M)	2BM ¼" BSP (M)			XXX
3BF 3/8" BSP (F)	4NF ½" NPT (F)	4NM ½" NPT (M)	3BM 3/8" BSP (M)			
4BF ½" BSP (F)			4BM ½" BSP (M) (Standard)			
Filling Fluids (* Consult Factory For Specifications, Price And Delivery.)						
S1 Silicon DC 200 [-40 to 205°C] (Standard)	S3 Silicon DC 710 [7 to 371°C]					XX
FG Food Grade OIL [-20 to 140°C]	SY Syltherm 800 [-40 to 315°C]					
S2 Silicon DC 704 [10 to 337°C]						
Remote Mounting (with Capillary Of Max. Up To 2 Mtrs.)						
Specify In Meters (e.g. 1.5 = 1.5 METERS 2.0 = 2 METERS)					3Mtr.	
Capillary						
S4 AISI 304 SS	S6 AISI 316 SS					XX
Capillary Covered With Armour (Applicable with PE or PG if selected)						
S4 AISI 304 SS	S6 AISI 316 SS	PC PVC (Ambient Temp. Max. 60°C)				XX
Other Options						
HLT Helium Leak Test	WOI Dry Seal Only Without Instrument	MTC Material Test Certificates*				XXX

* Material Test Certificates Will Be Provided For Wetted Parts Only With Chemical Composition Testing. For Others, Please Consult Factory.

Ordering Example : DHM - XXX - XXX - XX - XX - XX - XXX - XX - 3Mtr. - XX - XX - XXX

For other optional items, please contact factory for delivery and minimum quantity of order.

Note : Specifications and dimensions given in this product catalogue represents the state of engineering at the time of printing. Modifications may take place and materials specified may be replaced by others without prior notice.