

# INFINITY Wireless Crane Scale

## MODEL SZ



### **Features**

Impact resistant all steel construction for RFI protection.

All weather –suitable for outdoor uses high precision crane scale load cell.

Graduation display selectable.

LCD display with LED background lighting.

Radio data transmission >200m (when unobstructed).

Data signal strength & Power level monitor.

Custom built option for operating under normal (-15° ~+55°C) or thermal (~80°C) environment.

Power supply: Nd-H rechargeable battery for Indicator and high capacity rechargeable battery (6V/10Ah) for scale.

Memory store up to 1000 weight data

Options :

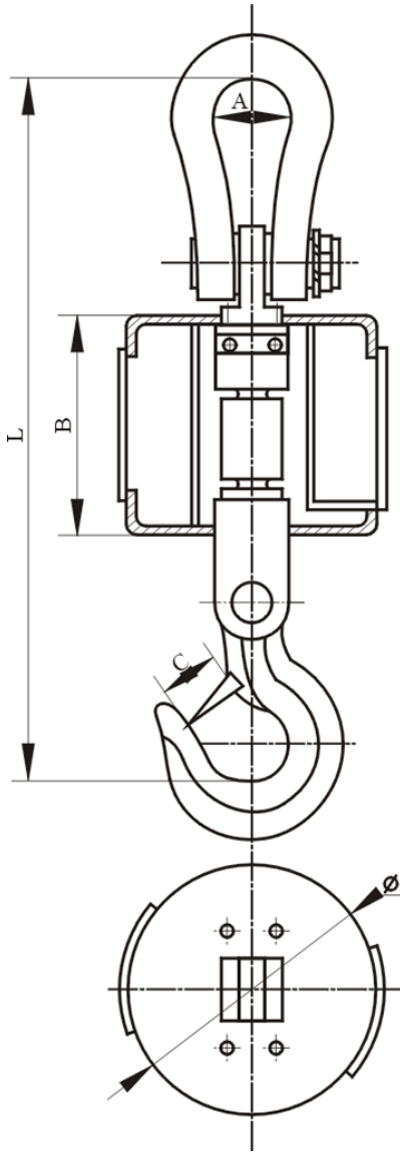
P2 Handheld indicator

Big Screen Display 4" LED

Casing Aluminum with remote control

# INFINITY Wireless Crane Scale

## MODEL SZ

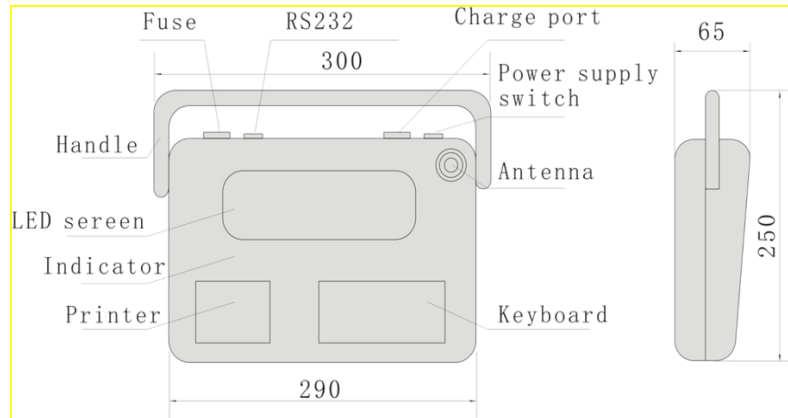
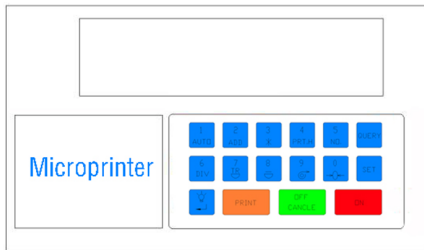


Model Dim-mm	A	B	C	L	Ø	Weight (kg)
1T	76	105	34	460	190	33
2T	76	105	34	460	190	33
3T	70	195	50	620	270	33
5T	75	195	44	620	270	47
10T	106	195	60	712	270	52
15T	140	220	90	897	320	82
20T	140	220	90	897	320	82
30T	150	220	100	1050	320	163
40T	214	300	105	1263	380	268
50T	214	300	105	1263	380	268

# INFINITY Wireless Crane Scale

## MODEL SZ

C-TYPE handheld display  
with printer



### Indicator C Functions:

Equipped with all digital calibrating function, which contributes to the easy and accurate calibration. 2900 pieces of weighing records can be stored .

Details including number, date, time, gross weight, tare and net weight are contained in every weighing record.

Power-off protection and calendar time clock.

Equipped with built-in micro-printer

### PRINTING FORMAT 1

Weighing List

2005/07/19 14: 42

Unit: kg

0001 500.0

### PRINTING FORMAT 2

Weighing List

2005/07/19 14: 55

NO.2: 1234

Unit: kg

0002 1500.0

0003 2999.0

-----  
COUNT : 0002

Total: 4499.0

Sampling rate            15 times per second

Nonlinearity             $\leq 0.01\%$  F.S

Transducer power supply    DC5V

Zero drift                 $\leq 0.1\text{Uv}$

Division value            0.1/0.2/0.5/1.0/2.0/5.0/10/20/50

Display                    Super bright 6 digit 23mm and 4 digit 10mm LCD display with LED backlight;

Clock                        Displaying year, month, date and hour, minute and second

# INFINITY Wireless Crane Scale

## MODEL SZ

P2 TYPE handheld display



Bright Clear display using OLED

Heavy duty ABS plastic casing for industrial purpose

Real Date Time and Clock

99 Weighing data

Accumulate function for positive /negative weight

BIG Screen Display options

4 " LED Aluminum casing with remote control

### Specifications

A/D converter type :  $\Sigma$ - $\Delta$  Converter

Signal input range:  $-3\text{mV}\sim 15\text{mV}$

Number of verification graduation: 3000

Maximum number of outer graduation: 15000

Interval Value: 1/2/5/10/20/50

Load cell connection: 4 wire technique

Load cell excitation: DC 5V

Display: OLED128 \* 64 dot matrix display, adjustable brightness 15 levels

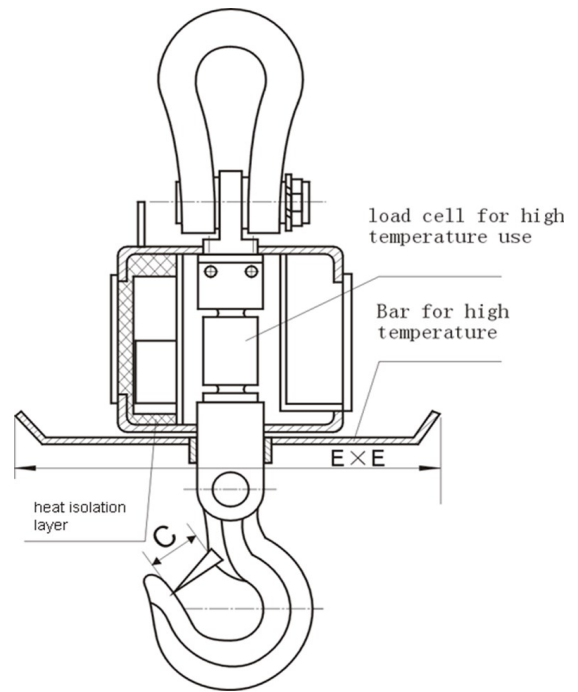
Power: A/D transmitting end 6V/4AH nickel-hydrogen batteries, use 40 hours for one Charging

Hold show end 4.8V/3.2AH nickel-hydrogen batteries, use 40 hours for one Charging



# INFINITY Wireless Crane Scale

## MODEL WRP-H



Specially modified for smelt or metal processing factories, WRF-H series crane scale can operate under high ambient temperature:

- Unique load cell for thermal scale.
- Special equipped heat isolation plate for thermal radiation:

Isolation plate dimension:

1-10T—  $\phi$ 400mm—4.8kg

20 -30T  $\phi$ 500mm—7.2kg

40 -50T  $\phi$ 600mm—9.8kg

Safe Operation Distance Source to scale hook

1000° C - 1200mm

1200° C - 1400mm

1400° C - 1800mm

1600° C - 2000mm