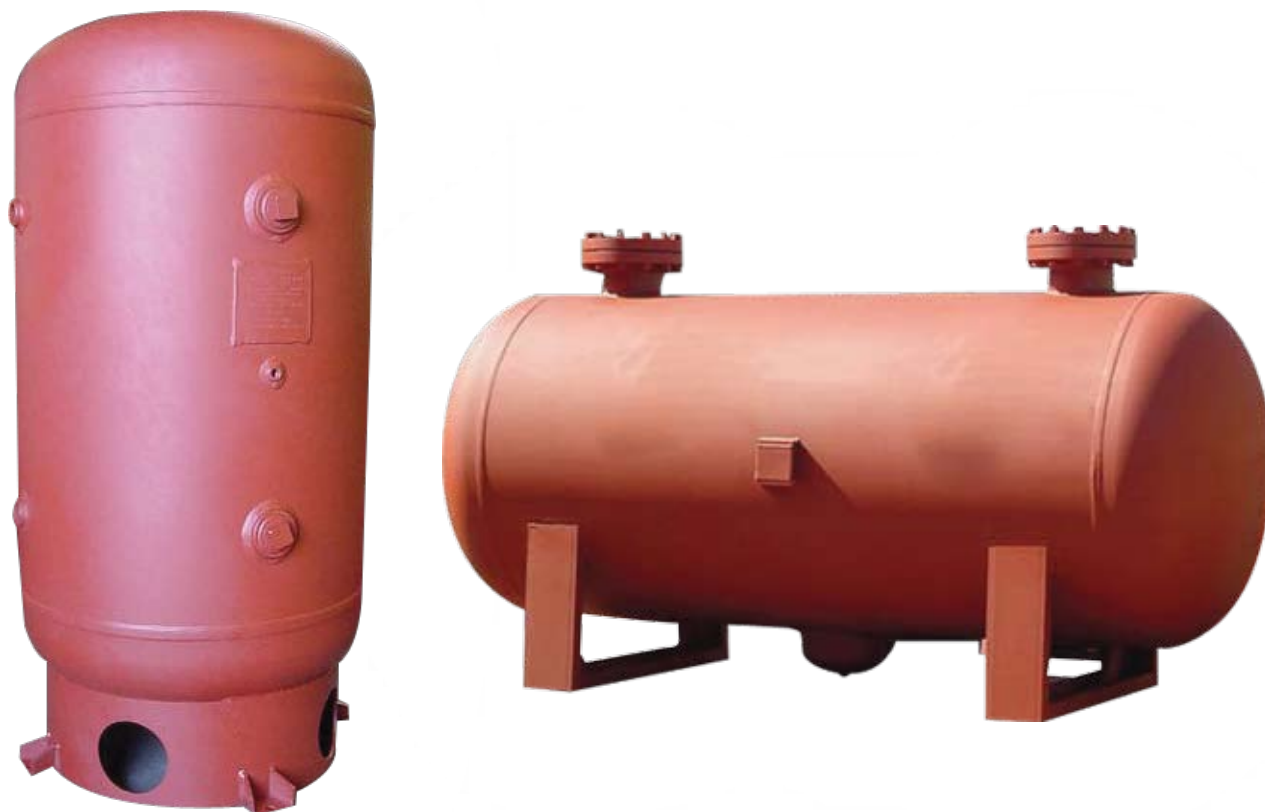


Precision Storage Vessels



BUFFER VESSELS



PRECISION

PRECISION

Standards

ASME Code construction:- All tanks are constructed in accordance with ASME code section IV and labelled for 125 PSI (8.6 BAR) as Standard.

Precision also design Buffer Vessel as per British Standard BS 853:1996, BS 5500:1997 or in accordance with Art 3.3 of the European Directive EEC/97/23 for pressure equipment.

BV	GL	V	1000 L
Hot Water	Shell Material	Configuration	Capacity
Cold Water	GL-Glass Lined PC-Precision Coat	V-Vertical H-Horizontal	Litres

Eg: BVHGLV1000L

Vessel Lining

Precision Coat

Precision coat is a polymerized coating which is applied to all internal surfaces of the tank. Tank surfaces are first sandblasted and cleaned to a white metal finish and then precision coat is applied uniformly. The tanks are then force cured at 95°C to form a glossy lining unaffected by thermal shock from -6°C to 80°C. Precision coat is approved by US department of agriculture and with NSF/61 certification for drinking water.

Glass Lining

Precision's glass lining is a specially formulated vitreous porcelain enamel, which is applied to all interior surfaces of the tank. Tank surfaces are first sandblasted to a white metal finish and then Porcelain enamel is applied uniformly. The tank is then fired to 900°C in a furnace to achieve 100% molecular fusing of the glass to the interior steel surface, which forms a best possible glass coating for potable water in a strong vessel.

Connection: Connection can be of screwed / flanged.

Supports: Supports can be of L type, Ring type or Tubular.

Painting: All Buffer vessels will be Externally Sandblasted to SA 2.5 and then coated with two coats red oxide primer.

Working Pressure: Buffer Vessels are manufactured to 8.6 bar working pressure as standard (for other pressure please consult factory).

Insulation: 50mm thick fiberglass wool encased in GI sheets and painted in Blue color.

Accessories

Pressure Gauge

A pressure gauge is fitted in all Buffer Vessels as standard.



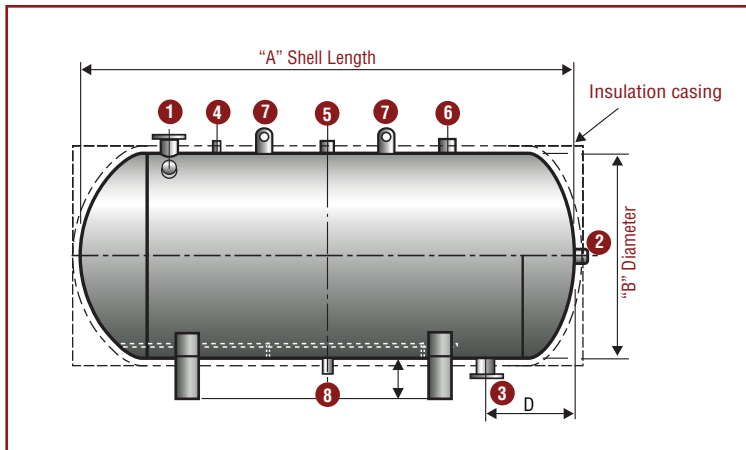
Safety Valve

All Buffer Vessels should be fitted with a safety valve to protect the cylinder against over-pressure due to malfunction of controls or incorrect operation.

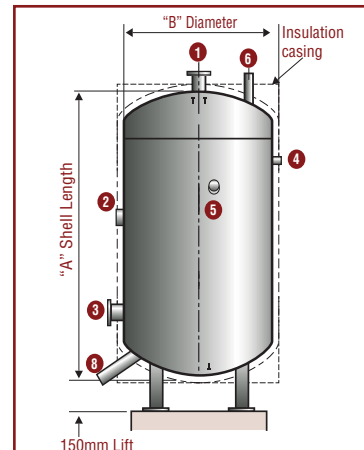


Sizes and Dimensions

HORIZONTAL TYPE



VERTICAL TYPE



Description

- | | |
|--------------------|--|
| 1 Secondary Flow | 5 Pressure Gauge |
| 2 Secondary Return | 6 Safety Valve/Pressure Temp. Relief Valve |
| 3 Cold Feed | 7 Lifting Hooks |
| 4 Thermometer | 8 Drain |

BV DIMENSIONAL DATA

Model No.	Capacity Litres	Dimensions in mm		Connections			Weights Kgs
		A	B	IN /OUT	DRAIN	RETURN	
BV	440	1800	600	1 1/4 "	1 "	1 1/4 "	250
BV	550	1700	675	1 1/4 "	1 "	1 1/4 "	260
BV	700	1750	750	1 1/4 "	1 "	1 1/4 "	300
BV	800	1950	750	1 1/2 "	1 1/4 "	1 1/2 "	330
BV	900	2000	800	1 1/2 "	1 1/4 "	1 1/2 "	400
BV	1000	1950	750	2 "	1 1/4 "	2 "	430
BV	1200	2100	900	2 "	1 1/4 "	2 "	480
BV	1350	2350	900	2 "	1 1/4 "	2 "	530
BV	1500	1950	1050	2 "	1 1/4 "	2 "	550
BV	1800	2300	1050	2 "	1 1/4 "	2 "	630
BV	2000	2500	1050	2 "	1 1/4 "	2 "	670
BV	2300	2400	1150	2 "	1 1/4 "	2 "	740
BV	2500	2450	1250	2 "	1 1/4 "	2 "	800
BV	3000	2900	1200	2 "	1 1/2 "	2 "	910
BV	3500	2700	1350	2 "	1 1/2 "	2 "	1250
BV	4000	3050	1350	2 "	1 1/2 "	2 "	1370
BV	4500	3400	1350	3 "	1 1/2 "	3 "	1500
BV	5000	3200	1450	3 "	1 1/2 "	3 "	1500
BV	6000	3800	1450	3 "	1 1/2 "	3 "	1720
BV	7000	3300	1680	3 "	1 1/2 "	3 "	2350
BV	8000	3700	1680	3 "	1 1/2 "	3 "	2560
BV	9000	4200	1680	3 "	1 1/2 "	3 "	2820
BV	10000	4600	1680	3 "	1 1/2 "	3 "	3030
BV	12500	6000	1830	3 "	1 1/2 "	3 "	4360
BV	15000	6000	1830	3 "	1 1/2 "	3 "	4360

- * Pressures available upto 20 bar (300psi).
- * Capacities available upto 30,000 litres.
- * Specified weights are for 7 bar Design pressure & 10.5 bar Test Pressure.
- * Alternate sizes available.
- * Please consult Factory.



RANGE OF PRODUCTS

- ✦ HEAT EXCHANGER PACKAGE
- ✦ AIR RECEIVER
- ✦ STEAM ACCUMULATORS
- ✦ INDIRECT HEATED STORAGE CALORIFIERS
- ✦ FEED TANKS & CONDENSATE RECEIVERS
- ✦ BLOWDOWN VESSEL
- ✦ ELECTRIC WATER HEATERS
- ✦ BUFFER VESSELS
- ✦ DIESEL TANKS



PRECISION

Precision Storage Vessels Pvt. Ltd.

Kalpadi, P.O., Kanyakumari District
Tamil Nadu, India

Tel : 0091 4651 237730

Fax: 0091 4651 238585

www.precisionstoragevessels.com



PRECISION

Precision Storage Tanks LLP

3rd Floor 82 King Street
Manchester MZYWQ
United Kingdom

www.precisionstorage.co.uk

email: smanuel@eim.ae



EN ISO 9001: 2000